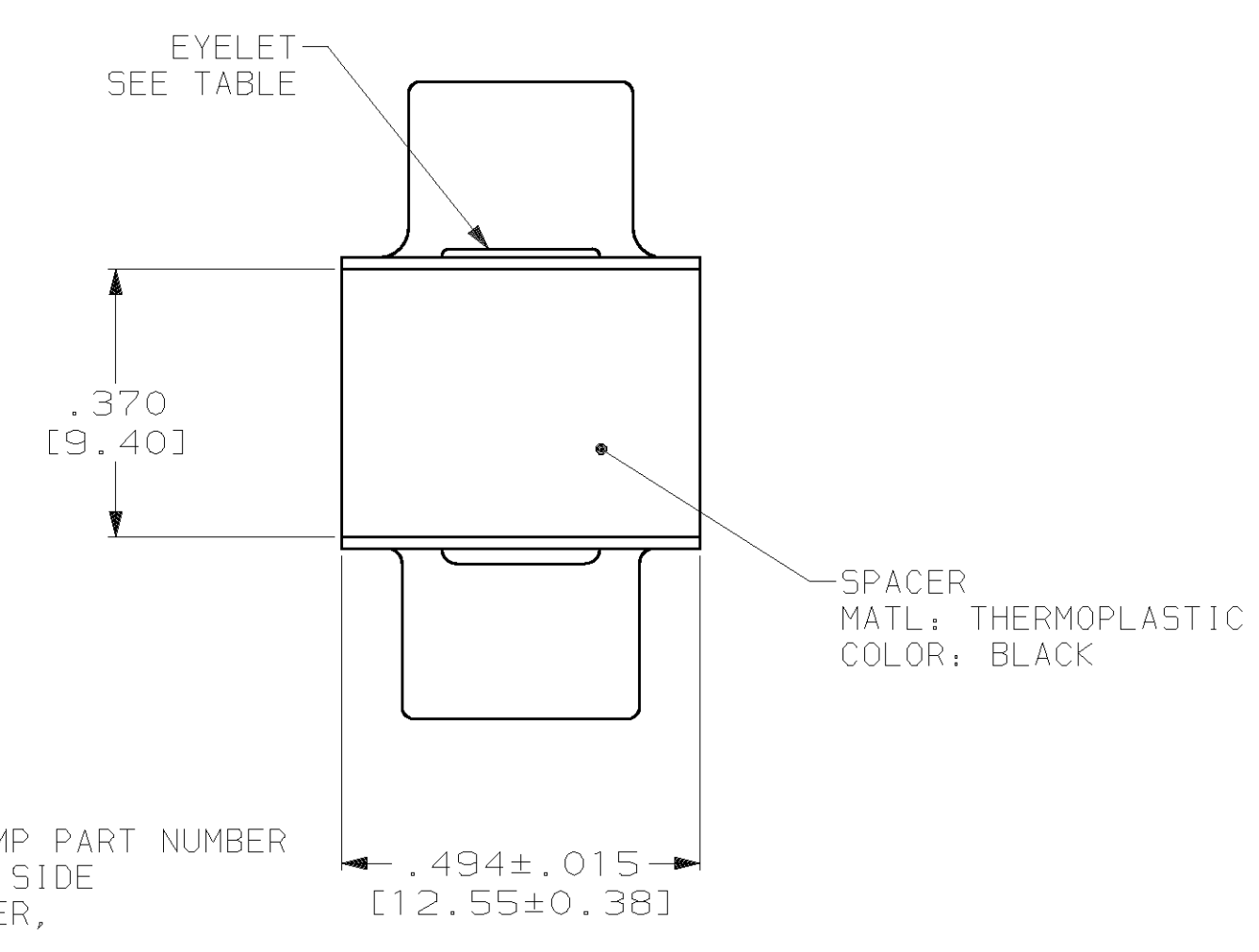
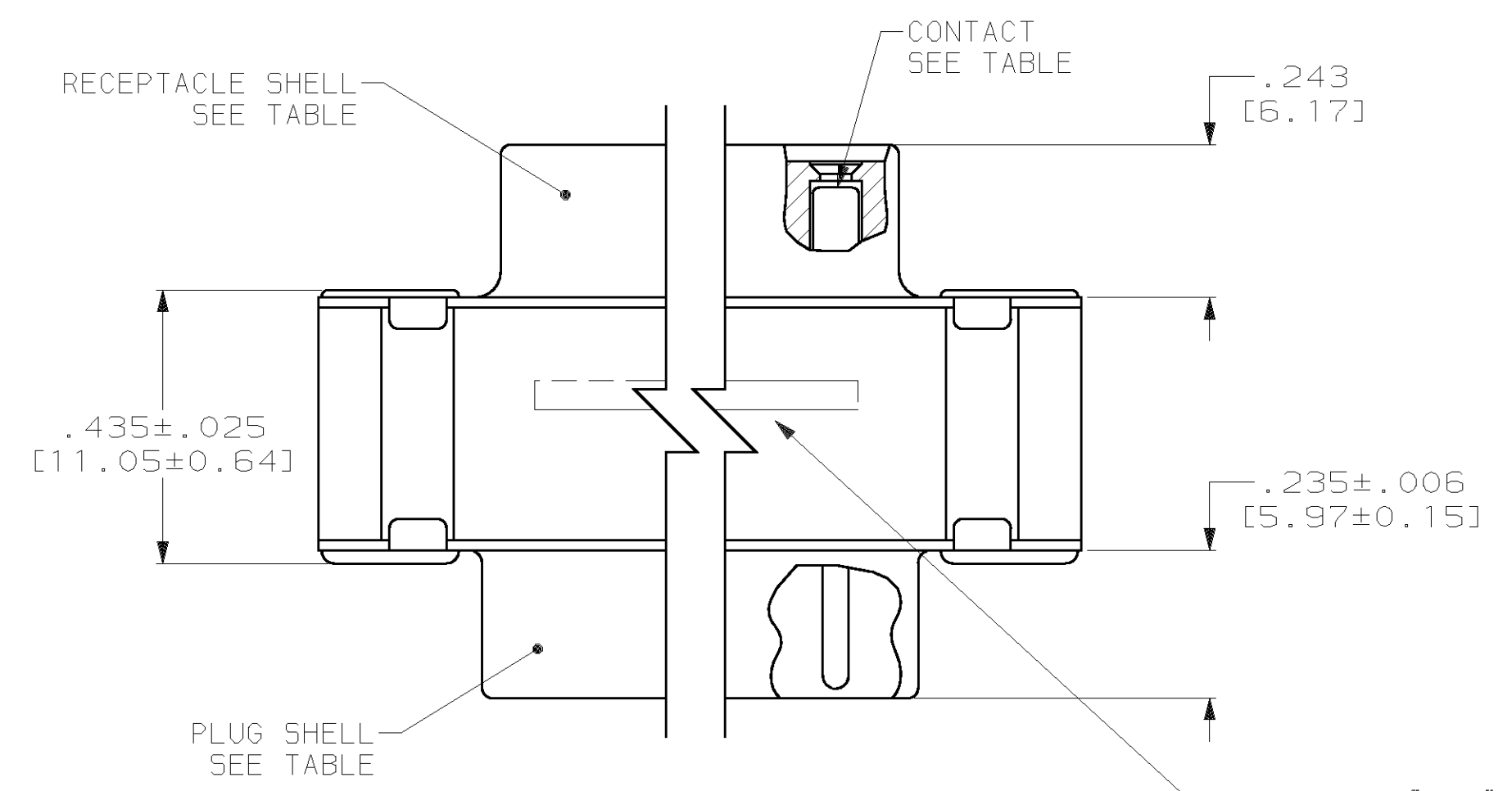
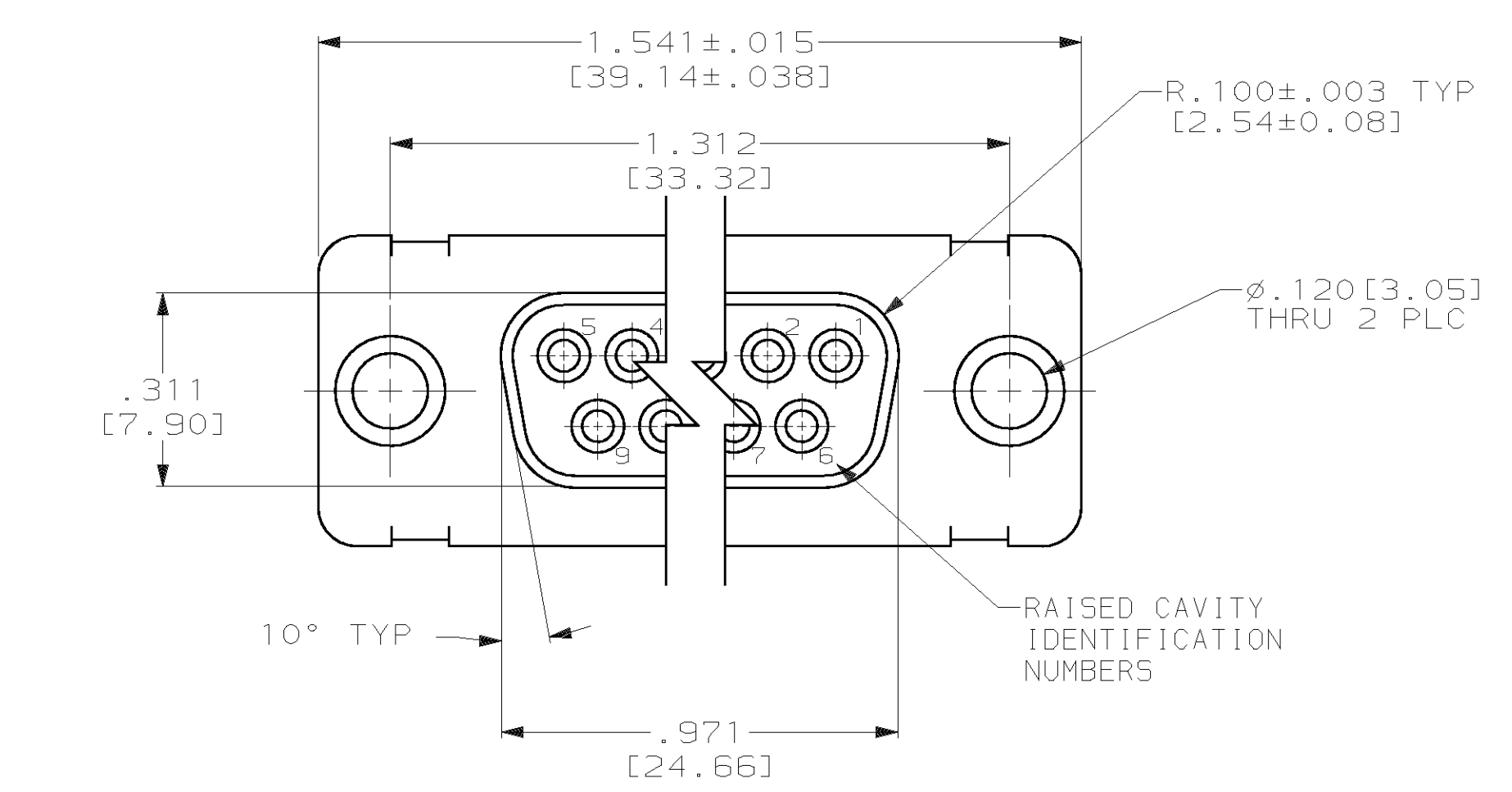
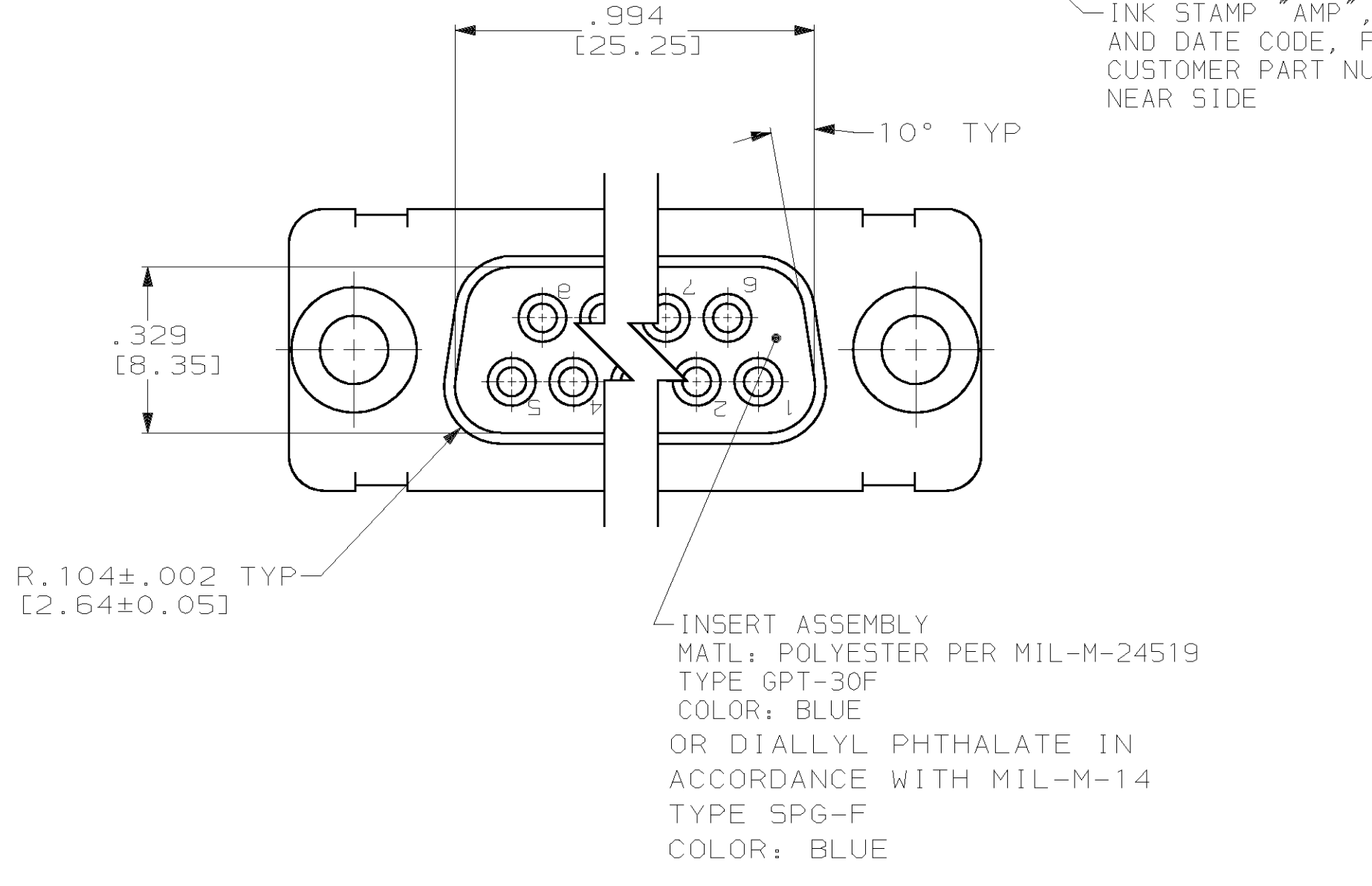
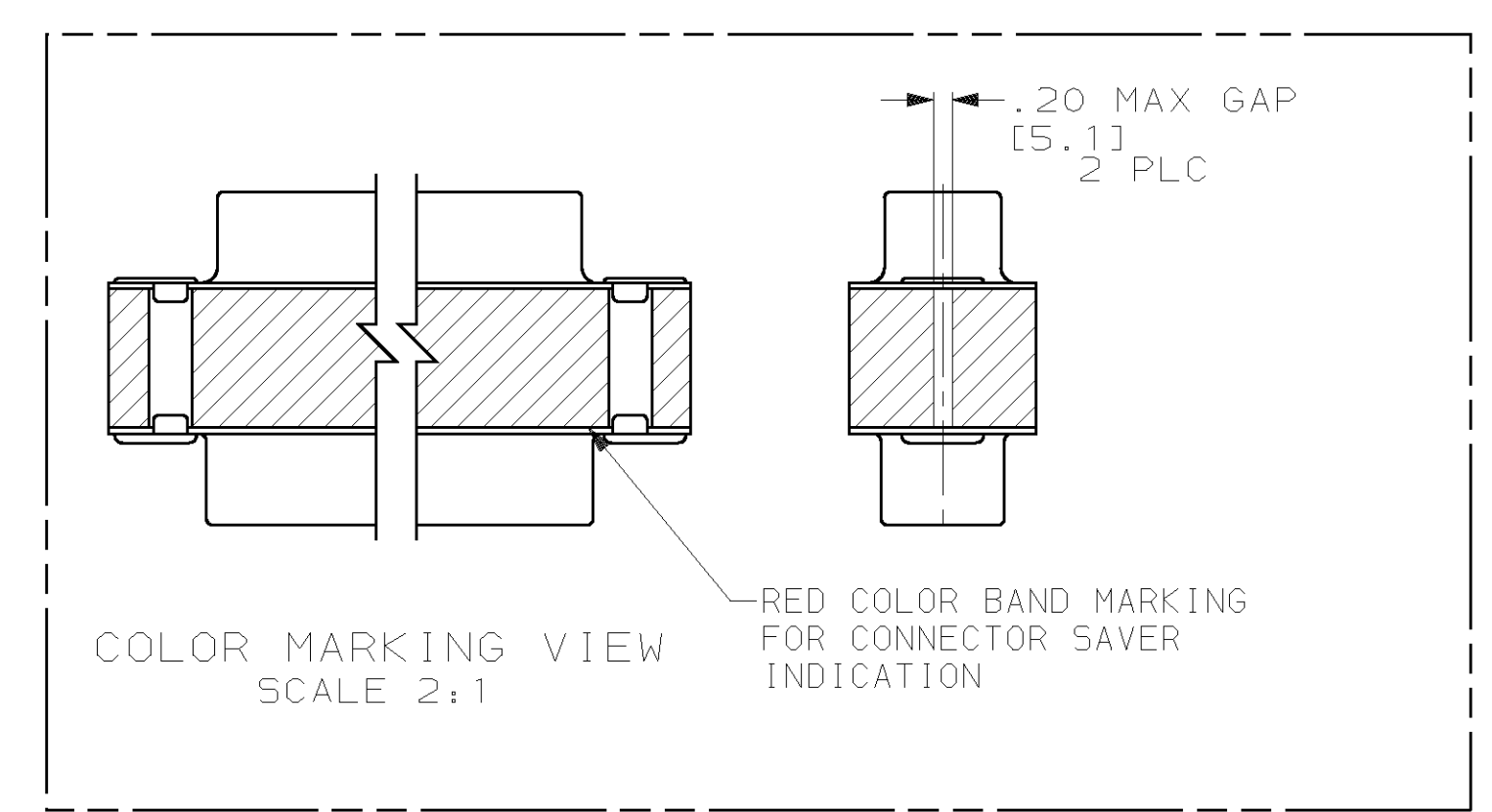


LOC		DIST		REVISIONS			
DF	DO	TR	LYR	DESCRIPTION	DATE	OWN	APPR
		C	REV PER	0630-320-01	5-02	CT	DM
		D	REV PER	0630-0619-02	7-03	JMK	LO



- CONTACTS INCLUDED IN ASSEMBLY.
- CONTACT
 BODY MATL: BERYLLIUM COPPER PER ASTM-B-197.
 BODY FINISH: PLATED GOLD, .000050 MIN THK PER MIL-G-45204 OVER NICKEL, .000050 MIN THK PER QQ-N-290.
 HOOD MATL: STAINLESS STEEL PER ASTM-A-167.
 HOOD FINISH: PASSIVATED PER ASTM-A-380
- MATL: BRASS PER ASTM-B-36.
- FINISH: PLATED GOLD, .000050 MIN THK PER MIL-G-45204 OVER COPPER, .000100 MIN THK PER MIL-C-14550.



3/4	3/4	2	4U884 50CN R10002677-0002	1218304-2
3/4	3/4	2	(1J02-002)	1218304-1
EYELET	SHELLS	CONTACT	CUSTOMER P/N	PART NO.
THIS DRAWING IS A CONTROLLED DOCUMENT.		I. THOMPSON 19AU098		AMP Incorporated Harrisburg, PA 17105-3608
DIMENSIONS: IN (mm)		TOLERANCES UNLESS OTHERWISE SPECIFIED:		NAME: J. NORTON 19AU098
0 PLC ±.005		1 PLC ±.005		PRODUCT SPEC: -
2 PLC ±.005		3 PLC ±.005		APPLICATION SPEC: -
4 PLC ±.005		ANGLES: -		SIZE: A1
MATERIAL: -		FINISH: -		WEIGHT: -
CUSTOMER DRAWING		SCALE: 4:1		SHEET 1 OF 1 REV D