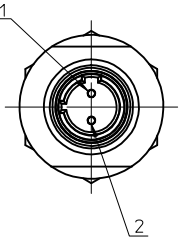
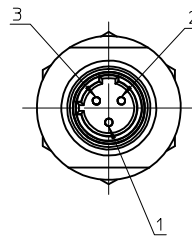
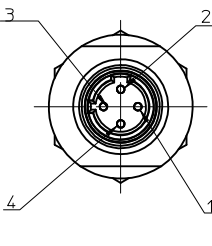
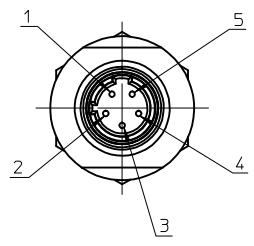
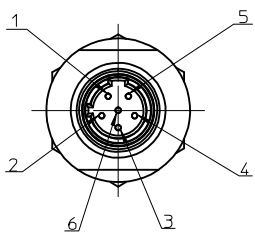
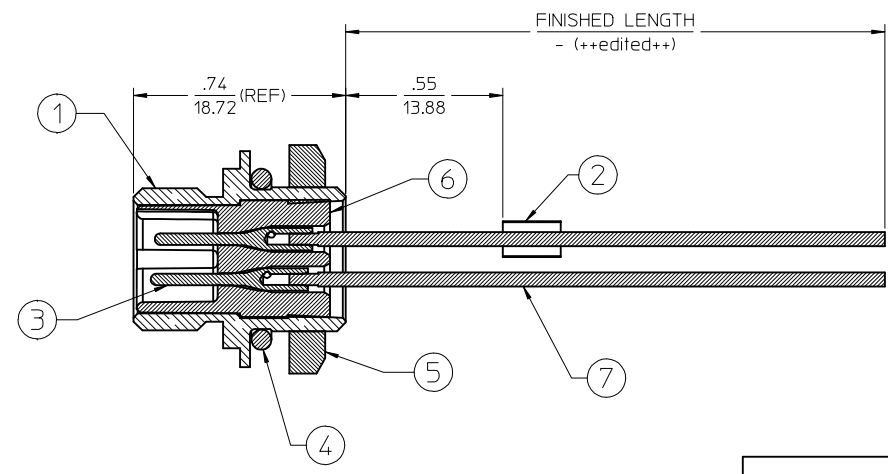
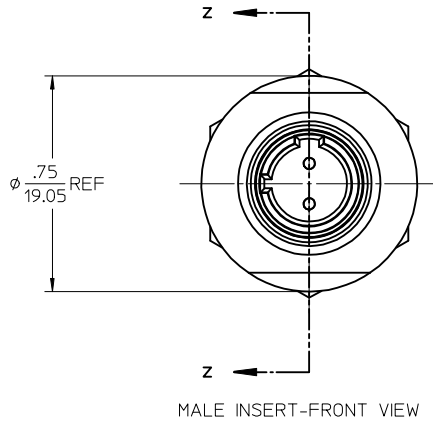


FACE VIEW - MALE INSERT SCALE 2 : 1

				
1 BROWN 2 BLUE	1 GREEN 2 RED/BLACK 3 RED/WHITE	1 RED/BLACK 2 RED/WHITE 3 RED 4 GREEN	1 RED/WHITE 2 RED 3 GREEN 4 RED/YELLOW 5 RED/BLACK	1 RED/WHITE 2 RED 3 GREEN 4 RED/YELLOW 5 RED/BLACK 6 RED/BLUE



FINAL ASSEMBLY
 1200740030 (SHOWN)

ENTER DESCRIPTION EC NO: MNA2010-0078 DRAWN BY: NKUMAR01 CHKD: 2009/08/27 APPR: JFMURPHY 2009/08/28	QUALITY SYMBOLS ▽=0 ▽=0	GENERAL TOLERANCES (UNLESS SPECIFIED) <table border="1" style="width: 100%; border-collapse: collapse;"> <thead> <tr> <th></th> <th>mm</th> <th>INCH</th> </tr> </thead> <tbody> <tr> <td>4 PLACES</td> <td>± .005</td> <td>± .0002</td> </tr> <tr> <td>3 PLACES</td> <td>± .003</td> <td>± .0001</td> </tr> <tr> <td>2 PLACES</td> <td>± .002</td> <td>± .00008</td> </tr> <tr> <td>1 PLACE</td> <td>± .001</td> <td>± .00004</td> </tr> </tbody> </table> ANGULAR ±1/2°		mm	INCH	4 PLACES	± .005	± .0002	3 PLACES	± .003	± .0001	2 PLACES	± .002	± .00008	1 PLACE	± .001	± .00004	DIMENSION STYLE IN/MM DRAWN BY: NKUMAR01 DATE: 26/08/09 CHECKED BY: BWOODMAN DATE: 26/08/09 APPROVED BY: JFMURPHY DATE: 2009/08/27	SCALE 2:1	DESIGN UNITS INCH	THIRD ANGLE PROJECTION TITLE MIC 2P MR 12IN. 1/4NPT #22 PVC
		mm	INCH																		
	4 PLACES	± .005	± .0002																		
	3 PLACES	± .003	± .0001																		
2 PLACES	± .002	± .00008																			
1 PLACE	± .001	± .00004																			
DRAFT WHERE APPLICABLE MUST REMAIN WITHIN DIMENSIONS	SEE SHEET 2	MOLEX INCORPORATED	DOCUMENT NO. SD-120074-030	SHEET NO. 1 OF 2																	
THIS DRAWING CONTAINS INFORMATION THAT IS PROPRIETARY TO MOLEX INCORPORATED AND SHOULD NOT BE USED WITHOUT WRITTEN PERMISSION																					
A	REV																				

MALE RECEPTACLE ASSEMBLY

Sl. No.	DESCRIPTION	QUANTITY				
		2 POLE	3 POLE	4 POLE	5 POLE	6 POLE
1	RECEPTACLE SHELL #1/4-18 NPT	1	1	1	1	1
2	LABEL,SELF L.YELLOW(2.25X.75IN)	1	1	1	1	1
3	PIN CONT 2-4P MIC GLD #22AWG	2	3	4		
	PIN CONT 5&6P MICGLD #22AWG				5	6
4	O-RING .489 ID X .070 THK	1	1	1	1	1
5	#1/4-18IN NPS LOCKNUT	1	1	1	1	1
6	MIC 2P MALE INSERT (NYLON)	1				
	MIC 3P MALE INSERT (NYLON)		1			
	MIC 4P MALE INSERT (NYLON)			1		
	MIC 5P MALE INSERT (NYLON)				1	
	MIC 6P MALE INSERT (NYLON)					1
7	#22-1 BLU PVC WIRE UL1061	1				
	#22-1 GRN PVC WIRE UL1061		1	1	1	1
	#22-1 BRN PVC WIRE UL1061	1				
	#22-1 RED PVC WIRE UL1061			1	1	1
	#22-1 RED/WHT PVC WIRE UL1061		1	1	1	1
	#22-1 RED/BLK PVC WIRE UL1061		1	1	1	1
	#22-1 RED/BLU PVC WIRE UL1061					1
	#22-1 RED/YEL PVC WIRE UL1061				1	1

PART NUMBER	DESCRIPTION	FINISHED LENGTH
1200740030	7R2A06A19A120	12.0" +.75" -0 [0.3M +19.1MM -0]
1200740079	7R3A06A19A120	12.0" +.75" -0 [0.3M +19.1MM -0]
1200740140	7R4A06A19A120	12.0" +.75" -0 [0.3M +19.1MM -0]
1200740190	7R5A06A19A120	12.0" +.75" -0 [0.3M +19.1MM -0]
1200740241	7R6A06A19A120	12.0" +.75" -0 [0.3M +19.1MM -0]

ENTER DESCRIPTION EC NO: MNA2010-0078 DRAWN BY: DRWINAKUMAR01 2009/08/26 CHKD: 2009/08/27 APPR: JFMURPHY 2009/08/28 REV: A	QUALITY SYMBOLS =0 =0	GENERAL TOLERANCES (UNLESS SPECIFIED)		DIMENSION STYLE IN/MM	SCALE 2:1	DESIGN UNITS INCH	THIRD ANGLE PROJECTION		
		4 PLACES ± --- ± --- 3 PLACES ± --- ± --- 2 PLACES ± --- ± --- 1 PLACE ± --- ± ---	mm INCH ± --- ± --- ± --- ± --- ± --- ± ---	DRAWN BY: NKUMAR01 DATE: 26/08/09	CHECKED BY: BWOODMAN DATE: 26/08/09	TITLE MIC 2P MR 12IN. 1/4NPT #22 PVC			
		ANGULAR ±1/2°		APPROVED BY: JFMURPHY DATE: 2009/08/27	MOLEX INCORPORATED				
		DRAFT WHERE APPLICABLE MUST REMAIN WITHIN DIMENSIONS		MATERIAL NO. SEE CHART	DOCUMENT NO. SD-120074-030	SHEET NO. 2 OF 2	THIS DRAWING CONTAINS INFORMATION THAT IS PROPRIETARY TO MOLEX INCORPORATED AND SHOULD NOT BE USED WITHOUT WRITTEN PERMISSION		