

DIALIGHT PART NO.	LED COLOR	OPERATING VOLTAGE (SEE TABLE)	REFER TO FIGURE
675-2111-110F	HIGH BRIGHT RED	2V	1
675-2311-110F	HIGH BRIGHT ORANGE	2V	1
675-1111-110F	HIGH BRIGHT RED	2V	2
675-1311-110F	HIGH BRIGHT ORANGE	2V	2
675-2211-110F	HIGH BRIGHT GREEN	3.3V	1
675-2411-110F	HIGH BRIGHT BLUE	3.3V	1
675-2511-110F	HIGH BRIGHT WHITE	3.3V	1
675-1211-110F	HIGH BRIGHT GREEN	3.3V	2
675-1411-110F	HIGH BRIGHT BLUE	3.3V	2
675-1511-110F	HIGH BRIGHT WHITE	3.3V	2

REV	ECN NO	REVISIONS	DRN	CKD	APP	QA	CM	DATE
A	—	NEW RELEASE	BP					

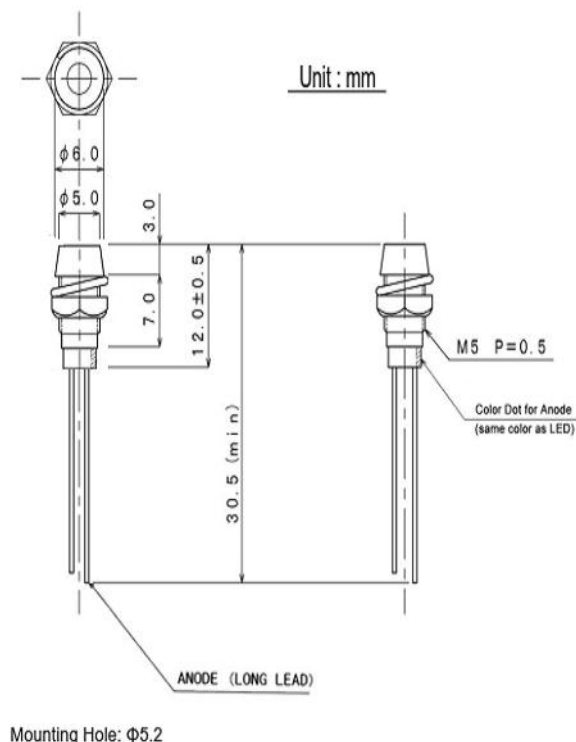


FIGURE 1

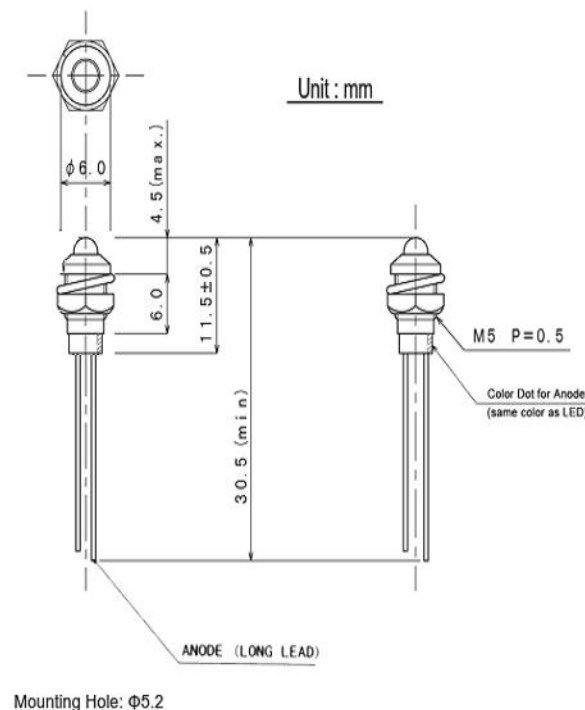


FIGURE 2

NOTES:

- 1, MOUNTING HOLE SIZE: 0.2047" (5.2 MM)
- 2, MAX PANEL THICKNESS: 0.138" (3.5 MM)
- 3, MATERIALS:
  - 3.1, METAL HOUSING: BRASS, CHROME PLATED.
  - 3.2, MOUNTING HEX NUT: BRASS, NICKEL PLATED.
  - 3.3, SPLIT LOCK WASHER: STEEL, UNI-CHROME PLATED.
  - 3.4, HEADER/INSULATOR: POLYCARBONATE, COLOR: BLACK
- 4, SOLDERABILITY: PER ANSI/IPC-S-805, METHOD A.
- 5, RECOMENDED MOUNTING TORQUE: 0.362" LBS/FT (5 KG/CM)

LED Specifications

Color	Absolute Maximum Ratings					(IF = 20mA) Electro-Optical Characteristics					
	Forward Current IF (mA)	Reverse Voltage VR (V)	Power Dissipation PD (mW)	Operating Temp. Topr (°C)	Storage Temp. Tstg (°C)	Forward Voltage VF (V)	Reverse Current IR (μA)	Luminous Intensity Iv (mcd)	Wave Length λ d (nm)	LineHalf-width Δλ (nm)	Angle (Ref.) 2θ 1/2
Red	30	10	72	-30 ~ +85	-40 ~ +100	2.05	10	3000	624	20	25
Green	30	7	108	-30 ~ +85	-40 ~ +100	3.3	10	12000	525	30	25
Orange	30	10	72	-30 ~ +85	-40 ~ +100	2.05	10	3500	605	17	25
Blue	30	7	108	-30 ~ +85	-40 ~ +100	3.3	10	3000	470	22	25
White	30	7	108	-30 ~ +85	-40 ~ +100	3.3	10	6500	**x = 0.31, y = 0.29		50

RoHS COMPLIANT C18276

Part Numbers with the "F" suffix ending are RoHS Compliant. Packaging is marked with "RoHS Compliant" label or equivalent markings. Parts can be wave soldered, dip soldered or hand soldered using typical lead-free soldering process with max 260°C temp. for 5 sec.

THIS DRAWING AND THE CONTENTS HEREIN ARE CONFIDENTIAL AND THE SOLE PROPERTY OF DIALIGHT. REPRODUCTION OF THIS DRAWING OR CONSTRUCTION OF ANY PARTS WITHIN THIS DRAWING ARE FORBIDDEN WITHOUT THE WRITTEN CONSENT OF DIALIGHT.		
SCALE: 3.000 ALL DIM'S IN: INCHES (MM)	DRAWING NUMBER C-18276	REV A
TOLERANCES: UNLESS OTHERWISE SPECIFIED FRACTIONS: ±1/64 DECIMALS (.XX): ±.01 DECIMALS (.XXX): ±.005 DECIMALS (.XXXX): ±.0005 ANGLES: ±1°	TITLE 5mm HIGH BRIGHT LED PMI	
FINISH: -	MATERIAL —	
FSCM 83330	1501 ROUTE 34 SOUTH FARMINGDALE, NJ 07727	
SHEET 1 OF 1 FAMILY TABLE:		