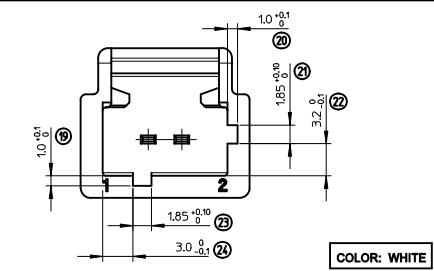
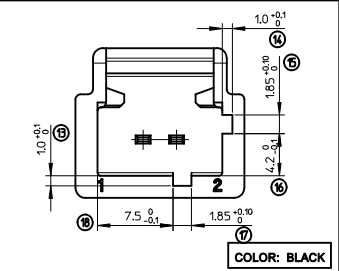
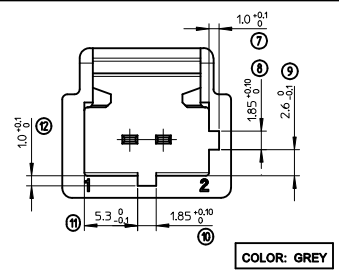
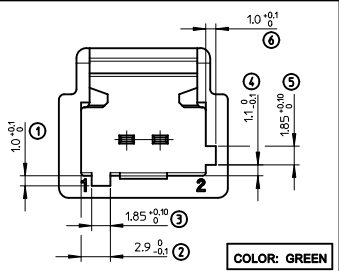
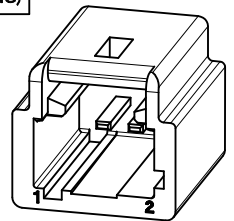


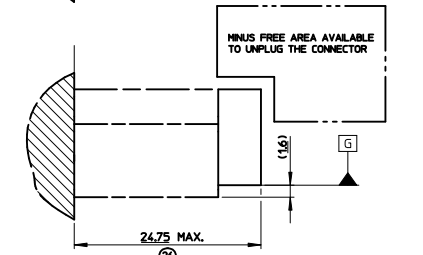
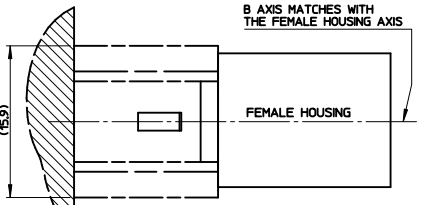
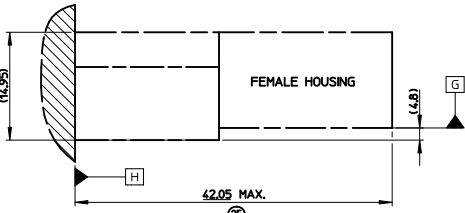
**CODINGS**



**ISO VIEW  
(GREEN CODING)**



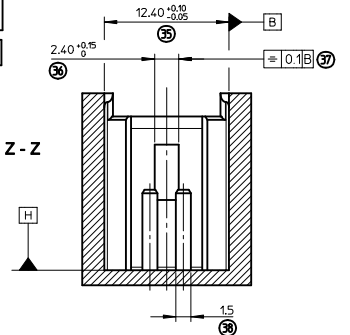
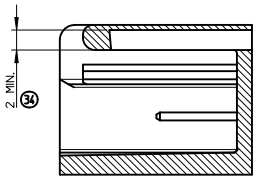
**OVERALL DIMENSIONS**



**HEADER'S DEFINITION**

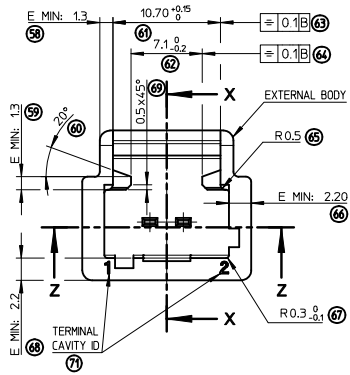
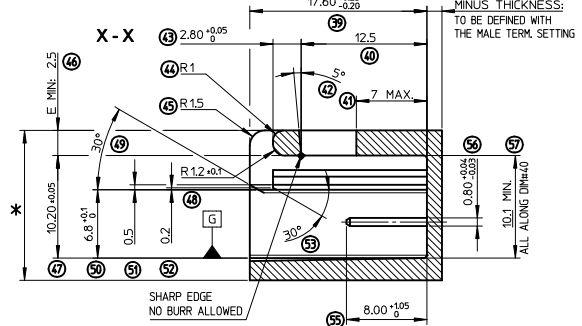
**GREEN CODING REPRESENTED**

**X - X  
VARIABLE**

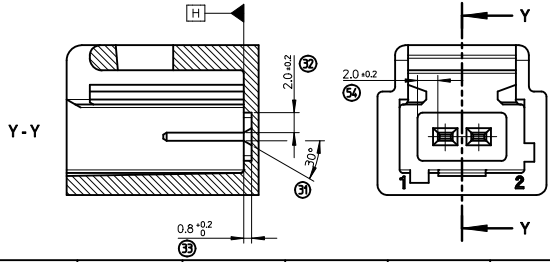


**NOTES:**

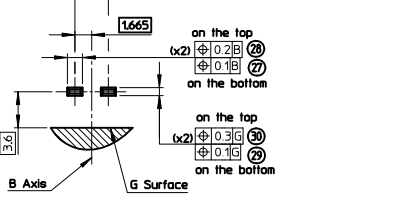
- MALE TERMINALS:**
  - MALE TERMINALS RESISTANCE: 100N MIN IN MALE TERM. AXIS.
  - MATERIAL: COPPER, COPPER ALLOY OR BRASS.
  - FINISHES: TIN PLATED 2μ MIN.
- HEADER:**
  - RADII WITHOUT DIM: R=0.3MM
  - E MIN: MINIMUM MATERIAL THICKNESS RECOMMENDED FOR SPECIFIED MATERIAL.
  - MATERIAL: PBT (RECOMMENDED) (70)
  - WARPING: 0.35MM MAX. ACCEPTED ON "\*" DIM. WITH ANOTHER EXTERNAL SHAPE AS DRAWN WHEN PLUGGED.
- MATES WITH:**
  - MOLEX CONNECTORS 9887-102X



**MALE TERMINALS VARIABLE SETTING**



**MALE TERMINALS SETTING**



REV.	1	71		
	FIRST	LAST	DELETED	SUPERSEDED

INSPECTION NUMBERS

QUALITY SYMBOLS	GENERAL TOLERANCES (UNLESS SPECIFIED)	
	mm	INCH
▽	4 PLACES ±	±
▽	3 PLACES ±	±
▽	2 PLACES ±	±0.1
▽	1 PLACE ±	±0.1
▽	0 PLACE ±	±
	ANGULAR ± 2°	

DRAFT WHERE APPLICABLE MUST REMAIN WITHIN DIMENSIONS

DRAWN BY	DATE	CHECKED BY	DATE	APPROVED BY	DATE
GDESBRUERES	2012/04/18	JDUCLIOS	2012/04/18	OPLESSIS	2012/04/23

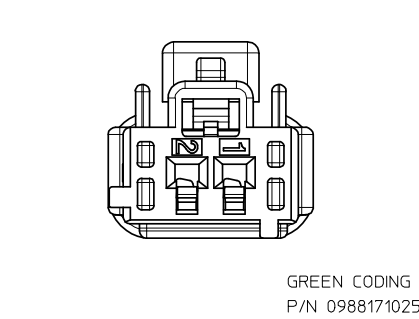
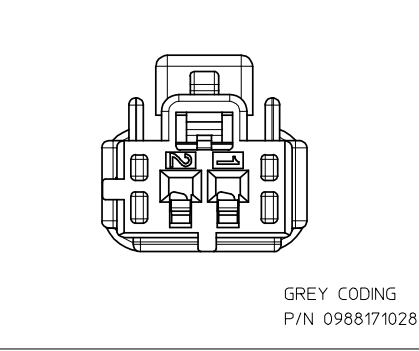
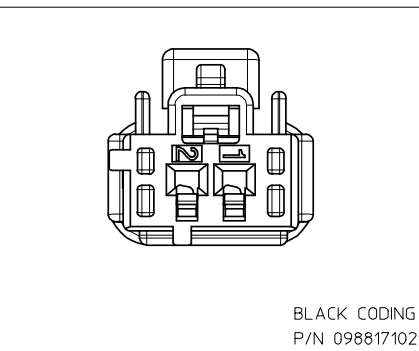
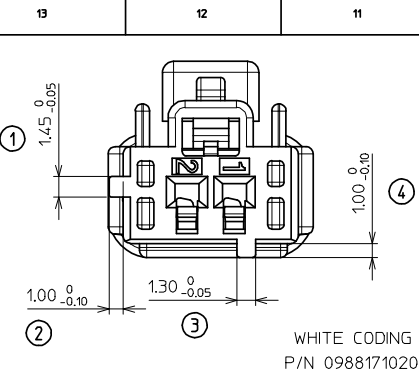
SCALE	DESIGN UNITS	FIRST ANGLE PROJECTION	TITLE
4:1	METRIC	☑	2W INTERFACE 15 TERM. (FOR FEMALE HOUSING)

**molex**

DOCUMENT NO.	SHEET NO.
SD-98815-002	1 OF 1

**PRINT 1ST RELEASE**

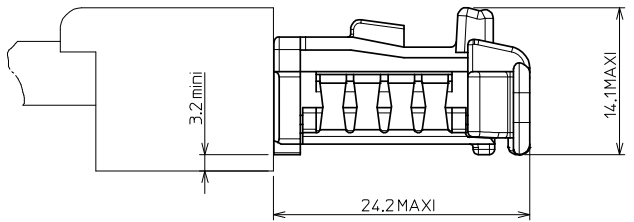
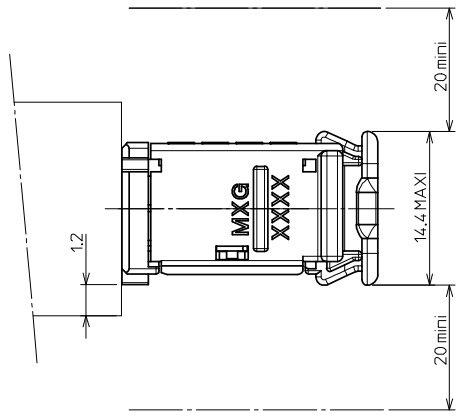
EC NO: G2012-0179  
 DRAWN BY: GDESBRUERES 2012/04/18  
 CHKD: JDUCLIOS 2012/04/18  
 APPROVED BY: OPLESSIS 2012/04/23



CODING 4:1

HANDLING AREA

AREA REQUIRED TO MATE AND UNMATE THE CONNECTOR



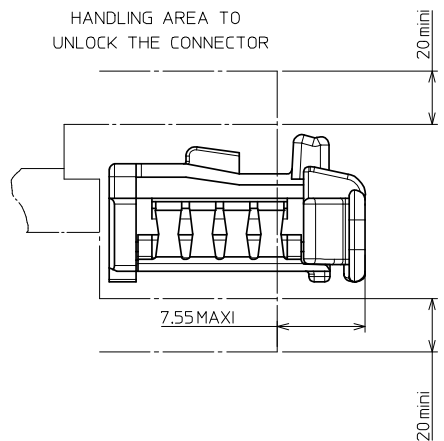
NOTE : 1 - The using conditions of the hinge are shown in the MOLEX specification n°AS-98821-001.

- 2 - Female terminal used : SCC RCPT TERM 1.5mm
- Range 1 : 0988971109 (0.22 mm<sup>2</sup> to 2x0.22 mm<sup>2</sup>)
  - Range 2 : 0988971119 (0.5 mm<sup>2</sup> to 1 mm<sup>2</sup> included)
  - Range 3 : 0988971129 (2x0.5 mm<sup>2</sup> to 2 mm<sup>2</sup> included)

3 - Female connector will mate with male connector P/N 098822102x.

AREA REQUIRED WHEN THE CONNECTOR IS MATED

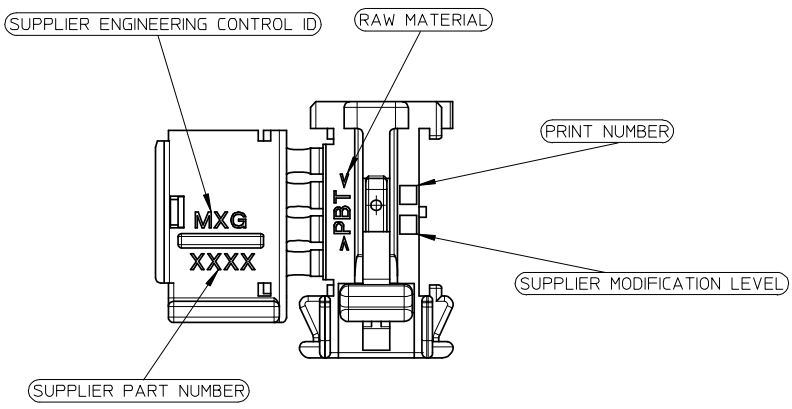
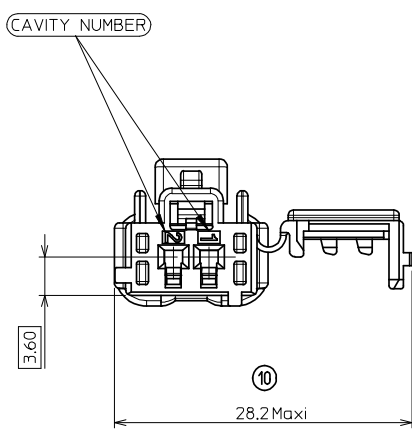
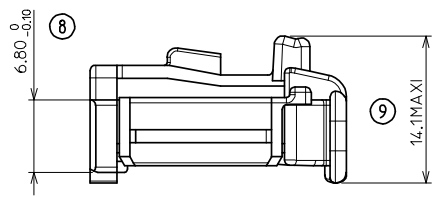
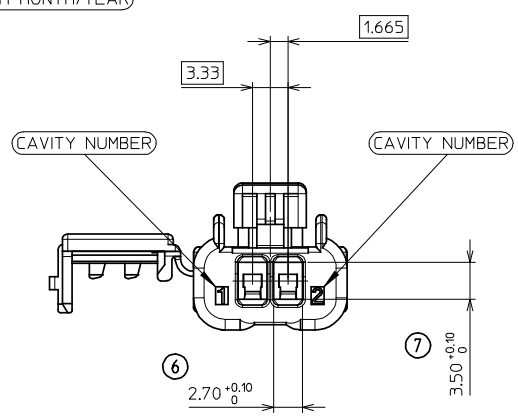
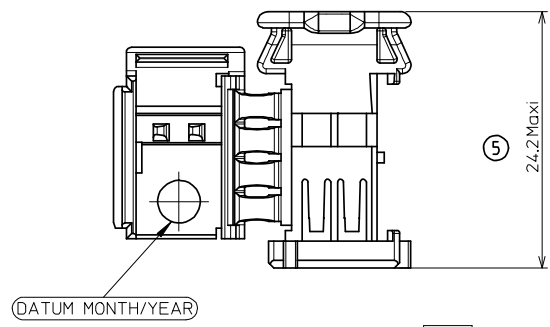
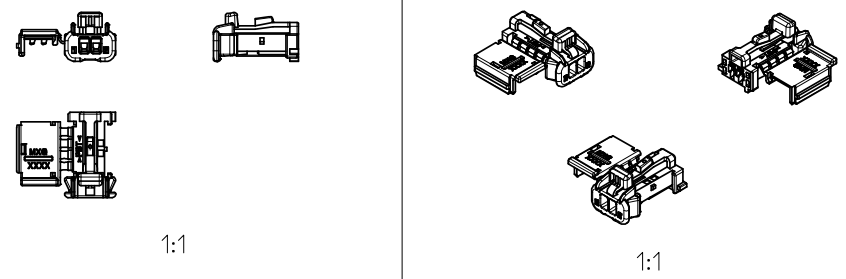
HANDLING AREA TO UNLOCK THE CONNECTOR



<b>FIRST RELEASE</b> EC NO: G2007-0386 DRAWN: LPOUCHAUD 2008/03/10 CHKD: YIGEL 2008/03/10 APPR: LSTICKEIR 2008/03/10	DESCRIPTION REV A	GENERAL TOLERANCES (UNLESS SPECIFIED)		DIMENSION STYLE <b>MM ONLY</b>	SCALE <b>3:1</b>	DESIGN UNITS <b>METRIC</b>	THIRD ANGLE PROJECTION	
		4 PLACES ± --- ± ---	mm INCH	DRAWN BY LPOUCHAUD	DATE 2008/01/17	TITLE <b>NSCC RCPT HSG 1.5 2CKT</b>		
		3 PLACES ± --- ± ---		CHECKED BY YIGEL	DATE 2008/01/17	MOLEX INCORPORATED		
		2 PLACES ± 0.05 ± ---		APPROVED BY LSTICKEIR	DATE 2008/01/25	MATERIAL NO. <b>SEE CHART</b>	DOCUMENT NO. <b>SD-98817-001</b>	SHEET NO. <b>1 OF 2</b>
		ANGULAR ± 1 °		DRAFT WHERE APPLICABLE MUST REMAIN WITHIN DIMENSIONS				
				THIS DRAWING CONTAINS INFORMATION THAT IS PROPRIETARY TO MOLEX INCORPORATED AND SHOULD NOT BE USED WITHOUT WRITTEN PERMISSION				

13 12 11 10 9 8 7 6 5 4 3 2 1

J I H G F E D C B A



GREEN CODING (P/N 0988171025) IS SHOWN.

NSCC Rcpt Hsg 1.5 2CKT	0988171028	Grey	POLYESTER (PBT)	1.723 g					
	0988171025	Green							
	0988171021	Black							
	0988171020	White							
Description	Part-Number	Color	Raw Material	Weight effective					
<b>FIRST RELEASE</b> EC NO: G2007-0386 DRWN: LPOUCHAUD 2008/03/10 CHKD: YIGEL 2008/03/10 APPR: LSTICKEIR 2008/03/10	QUALITY SYMBOLS ▽=0 ▽=0	GENERAL TOLERANCES (UNLESS SPECIFIED)		DIMENSION STYLE		SCALE	DESIGN UNITS	THIRD ANGLE PROJECTION	
		4 PLACES ± --- ± --- 3 PLACES ± --- ± --- 2 PLACES ± 0.05 ± --- 1 PLACE ± 0.1 ± --- ANGULAR ± 1 °	MM ONLY	3:1	METRIC	TITLE			
A REV	DESCRIPTION	DRAWN BY	DATE	TITLE		NSCC RCPT HSG 1.5 2CKT			
		CHECKED BY	DATE						
		APPROVED BY	DATE	MOLEX INCORPORATED		DOCUMENT NO.		SHEET NO.	
		MATERIAL NO.	SEE CHART	SD-98817-001		2 OF 2		A	
		THIS DRAWING CONTAINS INFORMATION THAT IS PROPRIETARY TO MOLEX INCORPORATED AND SHOULD NOT BE USED WITHOUT WRITTEN PERMISSION							

12 11 10 9 8 7 6 5 4 3 2 1