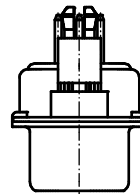
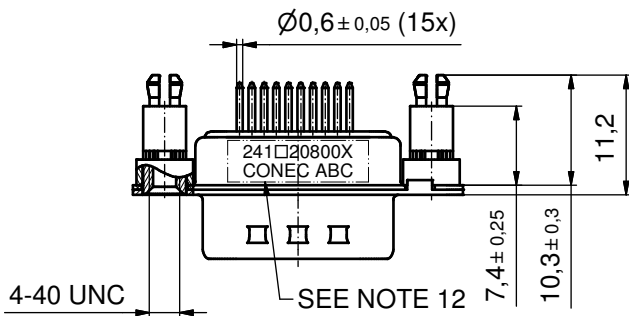
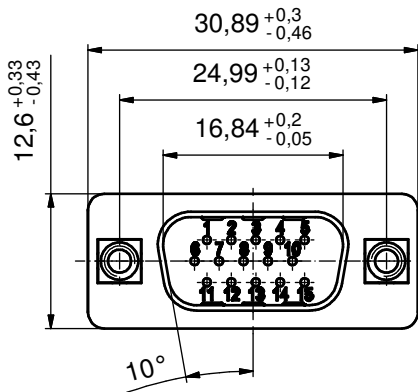
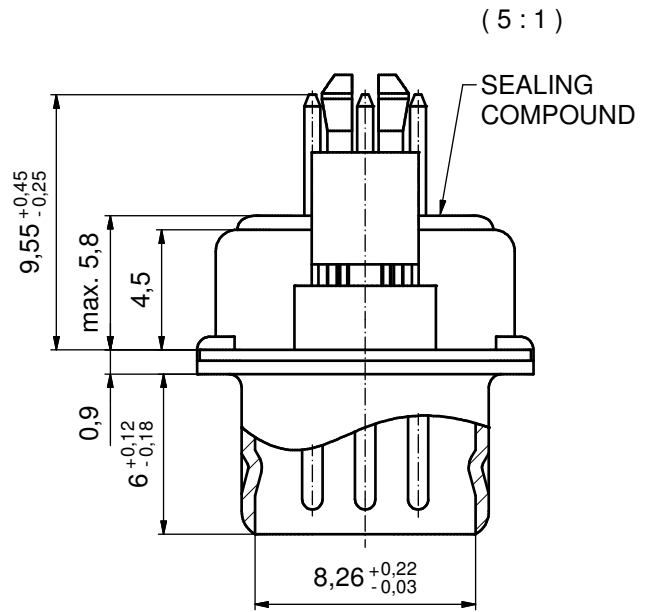
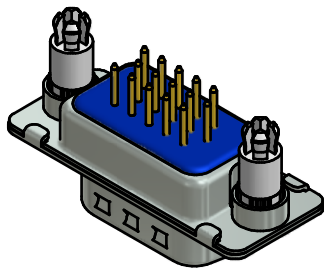


P.C.B. HOLE DRILLINGS
(P.C.B. TOP SIDE)



NOTES:

- RoHS COMPLIANT
- FOR WAVESOLDERING (SOLDER BATH TEMPERATURE 260 °C FOR 5 SEC. AND SOLDER PREHEAT 100 °C FOR 30 SEC.)
- METALSHELLS: STEEL; min. 315µm TIN over 40-80µm NICKEL
- INSULATORS: HIGH TEMPERATURE PLASTIC UL 94 V-0, BLACK
- CONTACTS: COPPER ALLOY; PLATING (SEE PART NO.):
 PLEASE ADD A for GOLD FLASH over NICKEL (PREFERRED TYPE)
 PLEASE ADD B for 20µm HARD GOLD over min. 50µm NICKEL
 PLEASE ADD C for 30µm HARD GOLD over min. 50µm NICKEL
 CONTACTS TAILS PRETINNED
- THREADED SPACER CLIPS: COPPER ALLOY; min. 200µm TIN over 80µm NICKEL
 PCB-HOLE: Ø3,1 ± 0,1; PCB THICKNESS 1,6mm
- COLLARS: COPPER ALLOY; min 200µm TIN over 80µm NICKEL
- SEALING COMPOUND: PUR; BLUE
- DIELECTRIC WITHSTANDING VOLTAGE: 300 VDC
- CAPACITANCE: 830pF ± 20%
- MAXIMUM TORQUE VALUE FOR THREAD: 6 in. LB
- CONNECTOR IS PART MARKED: 241□20800X CONEC ABC (see note 5)



Directive 2002/95/EC RoHS compliant

THIS DRAWING MAY NOT BE COPIED OR REPRODUCED IN ANY WAY, AND MAY NOT BE PASSED ON TO A THIRD PARTY WITHOUT WRITTEN PERMISSION. OWNERSHIP AND COPYRIGHT OF CONEC GmbH DO NOT ALTER CAD DRAWING BY HAND	tolerance		dim. in mm	scale: 2:1 (5:1)		
				material: SEE NOTES		
	drawn	17.07.13	Henneboel	title: D-SUB HD FILTER MALE 15pos. SOLDER PIN STRAIGHT with threaded spacer clip		
	appd.	17.07.13	Fischer			
norm						
rev.	a	Original			dwg no: 24K1A1455	DIN-A3
description	date	name			part no: 241□20800X (see note 5)	sh: 1