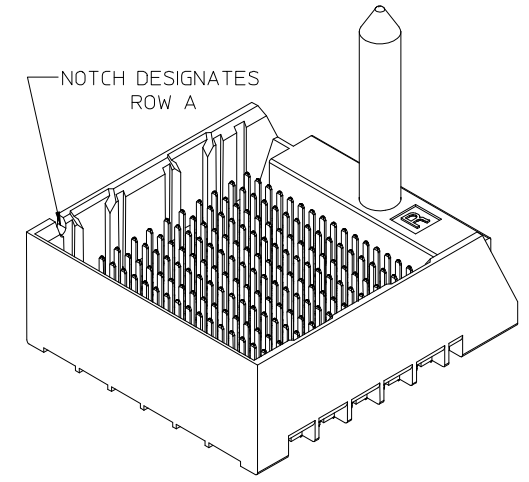
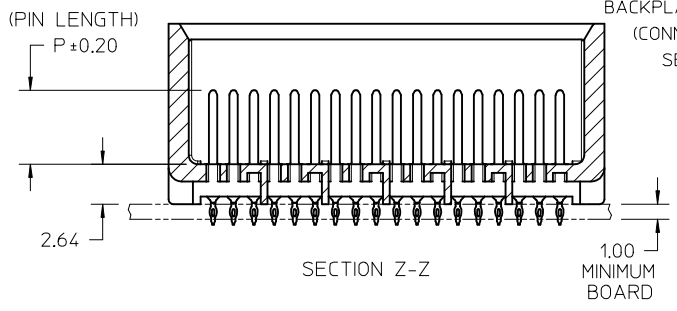
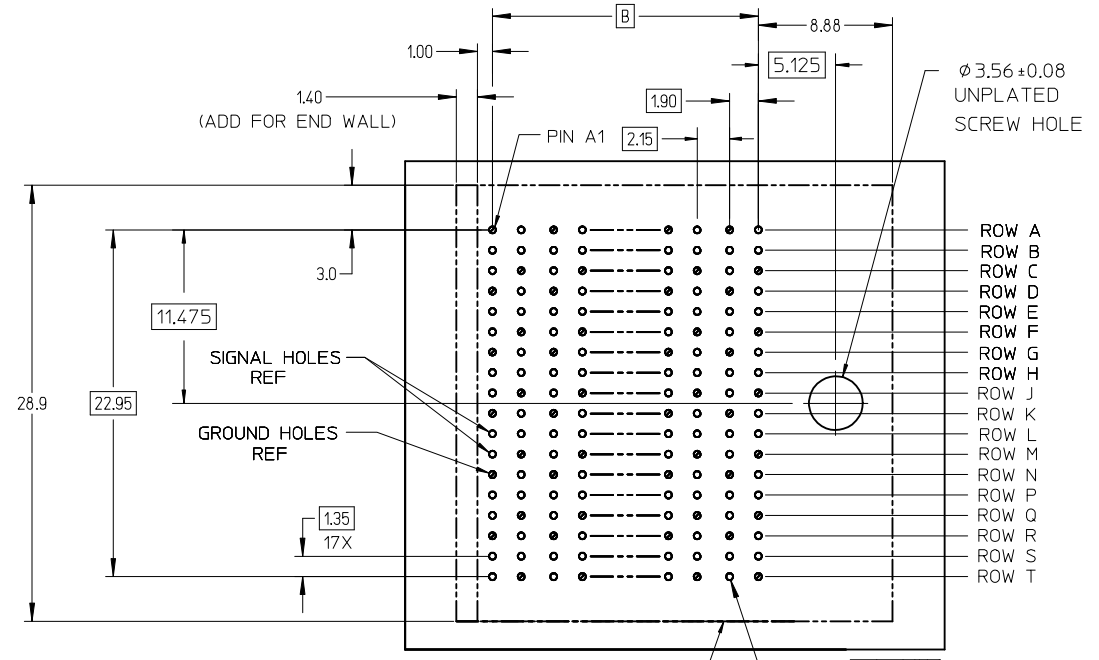


- NOTES:
1. MATERIALS: HOUSING - LIQUID CRYSTAL POLYMER (LCP)
GLASS-FILLED, UL94V-0
TERMINALS - HIGH PERFORMANCE COPPER ALLOY
 2. FINISH: 30µ MIN GOLD IN CONTACT AREA.
SELECTIVE TIN ON PCB TAILS. NICKEL OVERALL.
 3. REFER TO MOLEX PRODUCT SPECIFICATION PS-76060-999
FOR PERFORMANCE SPECIFICATIONS AND ADDITIONAL PCB INFORMATION.
 4. THIS PART CONFORMS TO CLASS B REQUIREMENTS OF
MOLEX COSMETIC SPEC PS-45499-002.
 5. PACKAGE PER: PK-70873-760.
 6. SEE SHEETS 2 & 3 FOR PART NUMBERS AND BOARD RELATIONSHIPS.
 7. MATES WITH IMPACT ORTHO DC SERIES NO. 76290.
 8. REFER TO MOLEX PCB ROUTING GUIDE AS-76060-990 FOR ANTIPAD AND
ROUTING RECOMMENDATIONS.
 9. THESE DIMENSIONS REPRESENT THE AREA NEEDED TO ACCOMMODATE
CONNECTOR INSERTION AND REPAIR ON THE PC BOARD. THIS IS REFERRED
TO AS THE "CONNECTOR KEEP OUT ZONE" AND DOES NOT REPRESENT THE
ACTUAL PERIMETER OF THE CONNECTOR. WHEN LAYING OUT A PC BOARD FOR
CONNECTORS STACKED TOGETHER, USE A 1.9mm PROGRESSION.
 10. CONNECTORS ARE SUPPLIED WITH A 2-56 UNC-2A SCREW



INITIAL RELEASE REV-A EC NO: UCP2016-3253 DRWN: JMENDOZA 2016/02/18 CHKD: MENDOZA APPR: TELO 2016/02/22	QUALITY SYMBOLS ▽=0 ▽=0	GENERAL TOLERANCES (UNLESS SPECIFIED)		DIMENSION STYLE MM ONLY	SCALE 4:1	DESIGN UNITS METRIC	THIRD ANGLE PROJECTION		
		4 PLACES ± --- ± --- 3 PLACES ± --- ± --- 2 PLACES ± 0.13 ± --- 1 PLACE ± 0.25 ± ---	mm INCH ± --- ± --- ± 0.13 ± --- ± 0.25 ± ---	DRAWN BY JMENDOZA	DATE 2011/10/25	TITLE IMPACT 6 PAIR ORTHO MATE GUIDE RIGHT HEADER ASSY SALES DRAWING	MOLEX INCORPORATED		
		ANGULAR ±1/2°		CHECKED BY TELO	DATE 2011/10/25	APPROVED BY TELO	DATE 2016/02/22	DOCUMENT NO. SD-76289-0003	SHEET NO. 1 OF 3
		DRAFT WHERE APPLICABLE MUST REMAIN WITHIN DIMENSIONS		MATERIAL NO. SEE CHART		THIS DRAWING CONTAINS INFORMATION THAT IS PROPRIETARY TO MOLEX. INCORPORATED AND SHOULD NOT BE USED WITHOUT WRITTEN PERMISSION			

PART NUMBER CHART

MATERIAL NUMBER	# OF COLUMNS	# OF DIFF PAIR	DIM 'A'	DIM 'B'	OPTION
76289-920*	12	72	32.43	22.15	GUIDE RIGHT END WALL

PART NUMBER LOGIC

76289-920*

MODULE TYPE

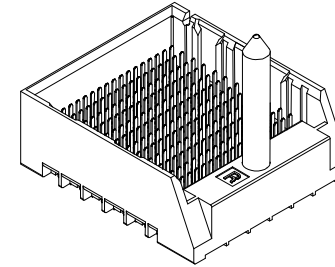
9 = GUIDE RIGHT ENDWALL, TIN

OF COLUMNS

2 = 12 COLUMN

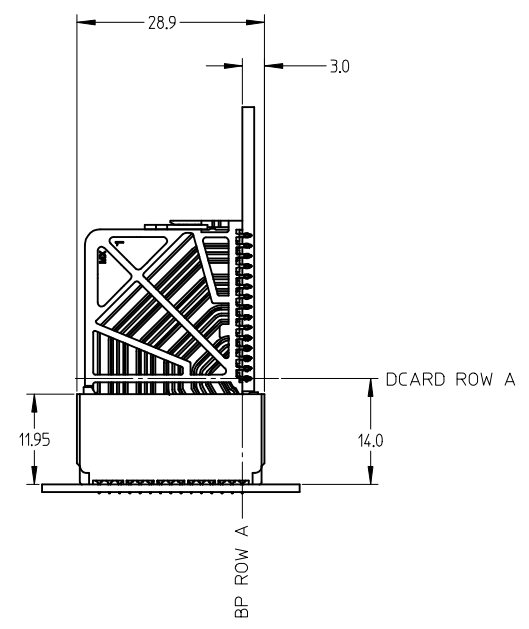
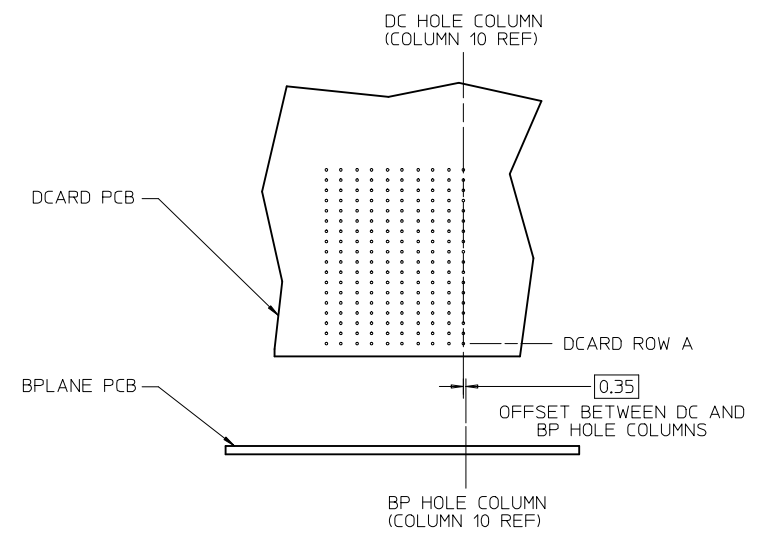
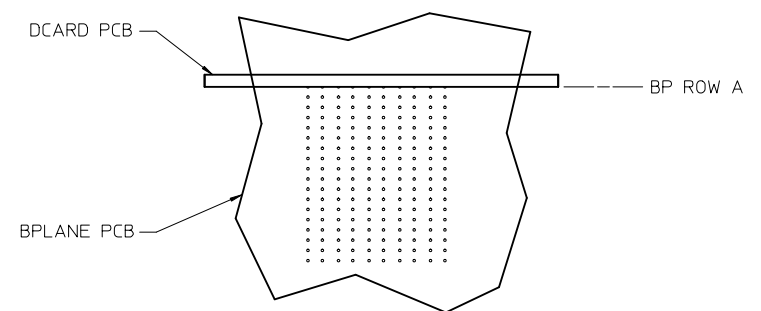
P=PIN LENGTH

- 4 = 4.90 (0.46 PTH)
- 5 = 5.50 (0.46 PTH)
- 7 = 4.90 (0.39 PTH)
- 8 = 5.50 (0.39 PTH)



INITIAL RELEASE REV-A EC NO: UCP2016-3253 DRWN: JMENDOZA 2016/02/18 CHKD: APPR: TELO 2016/02/22	DESCRIPTION 2016/02/22	QUALITY SYMBOLS	GENERAL TOLERANCES (UNLESS SPECIFIED) mm INCH 4 PLACES ± --- ± --- 3 PLACES ± --- ± --- 2 PLACES ± 0.13 ± --- 1 PLACE ± 0.25 ± --- ANGULAR ± 1/2°	DIMENSION STYLE	SCALE	DESIGN UNITS	THIRD ANGLE PROJECTION		
		▼=0 ▽=0		MM ONLY	2:1	METRIC	DRAWN BY DATE JMENDOZA 2011/10/25 CHECKED BY DATE TELO 2011/10/25 APPROVED BY DATE TELO 2016/02/22	TITLE IMPACT 6 PAIR ORTHO MATE GUIDE RIGHT HEADER ASSY SALES DRAWING MOLEX INCORPORATED DOCUMENT NO. SD-76289-0003 SHEET NO. 2 OF 3	
		DRAFT WHERE APPLICABLE MUST REMAIN WITHIN DIMENSIONS			SEE CHART	THIS DRAWING CONTAINS INFORMATION THAT IS PROPRIETARY TO MOLEX INCORPORATED AND SHOULD NOT BE USED WITHOUT WRITTEN PERMISSION			
		REV		DESCRIPTION	SIZE				

IMPACT 6 PAIR ORTHO MATE
BOARD RELATIONSHIPS



INITIAL RELEASE REV-A EC NO: UCP2016-3253 DRWN: JMENDOZA 2016/02/18 CHKD: APPR: TELO 2016/02/22	QUALITY SYMBOLS ▼=0 ▽=0	GENERAL TOLERANCES (UNLESS SPECIFIED) <table border="1"> <thead> <tr> <th></th> <th>mm</th> <th>INCH</th> </tr> </thead> <tbody> <tr> <td>4 PLACES</td> <td>± ---</td> <td>± ---</td> </tr> <tr> <td>3 PLACES</td> <td>± ---</td> <td>± ---</td> </tr> <tr> <td>2 PLACES</td> <td>± 0.13</td> <td>± ---</td> </tr> <tr> <td>1 PLACE</td> <td>± 0.25</td> <td>± ---</td> </tr> </tbody> </table> ANGULAR ±1/2°		mm	INCH	4 PLACES	± ---	± ---	3 PLACES	± ---	± ---	2 PLACES	± 0.13	± ---	1 PLACE	± 0.25	± ---	DIMENSION STYLE MM ONLY DRAWN BY DATE JMENDOZA 2011/10/25 CHECKED BY DATE TELO 2011/10/25 APPROVED BY DATE TELO 2016/02/22	SCALE 2:1 DESIGN UNITS METRIC	THIRD ANGLE PROJECTION
		mm	INCH																	
	4 PLACES	± ---	± ---																	
	3 PLACES	± ---	± ---																	
	2 PLACES	± 0.13	± ---																	
1 PLACE	± 0.25	± ---																		
DRAFT WHERE APPLICABLE MUST REMAIN WITHIN DIMENSIONS			MATERIAL NO. SEE CHART	TITLE IMPACT 6 PAIR ORTHO MATE GUIDE RIGHT HEADER ASSY SALES DRAWING	SHEET NO. 3 OF 3															
			MOLEX INCORPORATED	DOCUMENT NO. SD-76289-0003																
			THIS DRAWING CONTAINS INFORMATION THAT IS PROPRIETARY TO MOLEX INCORPORATED AND SHOULD NOT BE USED WITHOUT WRITTEN PERMISSION																	