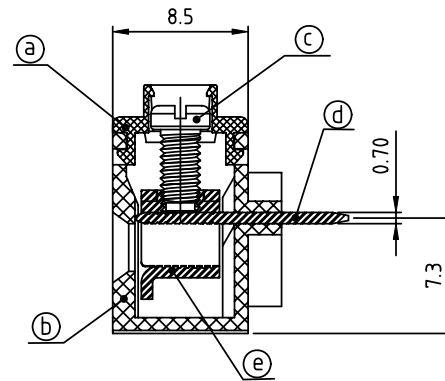
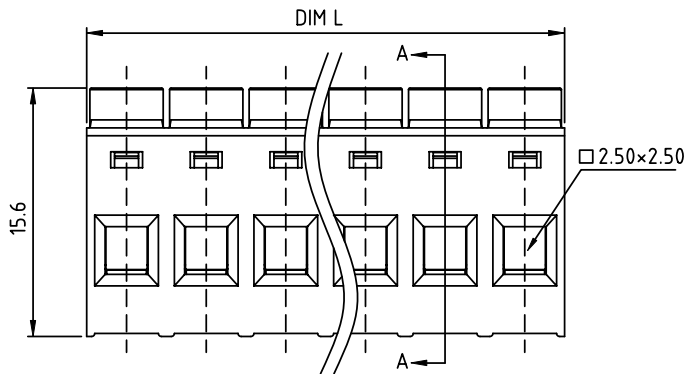
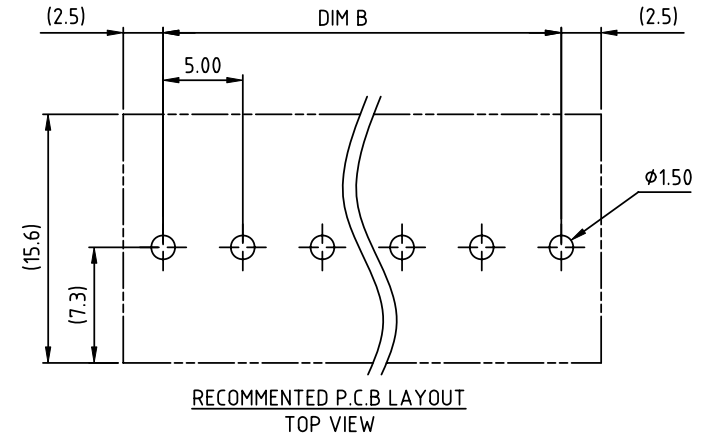
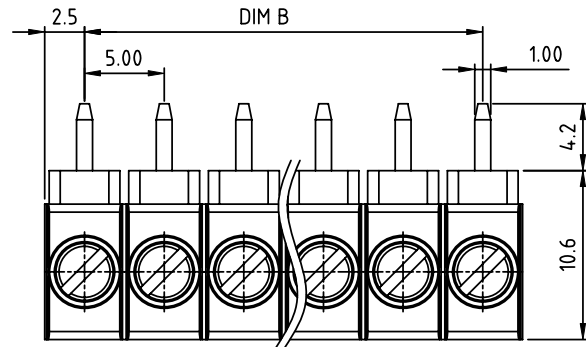


PRODUCT NUMBER	PITCH
EQxx05x000J0G	5.00 mm



SECTION A-A

Material

- Item a Terminal cover :Thermoplastic (UL94V-0)
- Item b Terminal housing : Thermoplastic (UL94V-0)
- Item c Terminal screw : Steel Zinc plating "-" slot type
- Item d Solder pin : Brass, Tin plated
- Item e Clamp : Steel stamping, Zinc plating

Electrical cULus

- Voltage rating: 300VAC
- Current rating: 10A
- Wire range:
- Solid wire(AWG): 12-22
- Stranded wire(AWG): 12-22
- Torque(Lb-In): 3.5
- Screw: M2.5
- Wire strip length: 6-7mm
- Withstanding Voltage: 1.6KV
- Operating temperature: -40°C to +115°C
- Soldering temperature: 260°C±5°C/5 Sec
- Safety Approval: cULus

PART NO.: EQ xx 0 5 x 0 00J0 G

DIMENSION

Dim L	Nx5.0
Dim B	(N-1)x5.0

N=Number of poles

Poles	DimL&B Tolerance
2P-6P	±0.15
7P-12P	±0.20
13P-18P	±0.25
19P-24P	±0.30

Solid block	No. of poles	Color	RoHS compliant (lead<4%) In copper Alloy
0	2	Black (RAL9005)	
02	3	Red (RAL3001/D)	
03	4	Orange(RAL2011/P)	
...	...	Yellow(RAL1018/A)	
...	...	Green(RAL6018/T)	
24	24	Blue (RAL5015/A)	
		8 Grey(RAL7035/D)	
		9 White(RAL1102)	
		C Green(RAL6018/U)	

mat'l. code		surface ASME Y14.5	tolerance ASME Y14.5	projection	product family TERMINAL BLOCK
ltr	ecn no	dr	date	tolerances unless otherwise specified	title
				angles ϕ X±0.5	TERMINAL BLOCK
				length X.X±0.3	RISING CLAMP, 90D WIRE INLET,SOLID BLOCK
				width X.XX±0.1	scale
				dr	FCI
				engr	dwg no
				chr	sheet 1 of 1
				appd	size
					EQxx05x000J0G
					A4
					type
					CUSTOMER Drawing
sheet index	revision	A			
	sheet	1			