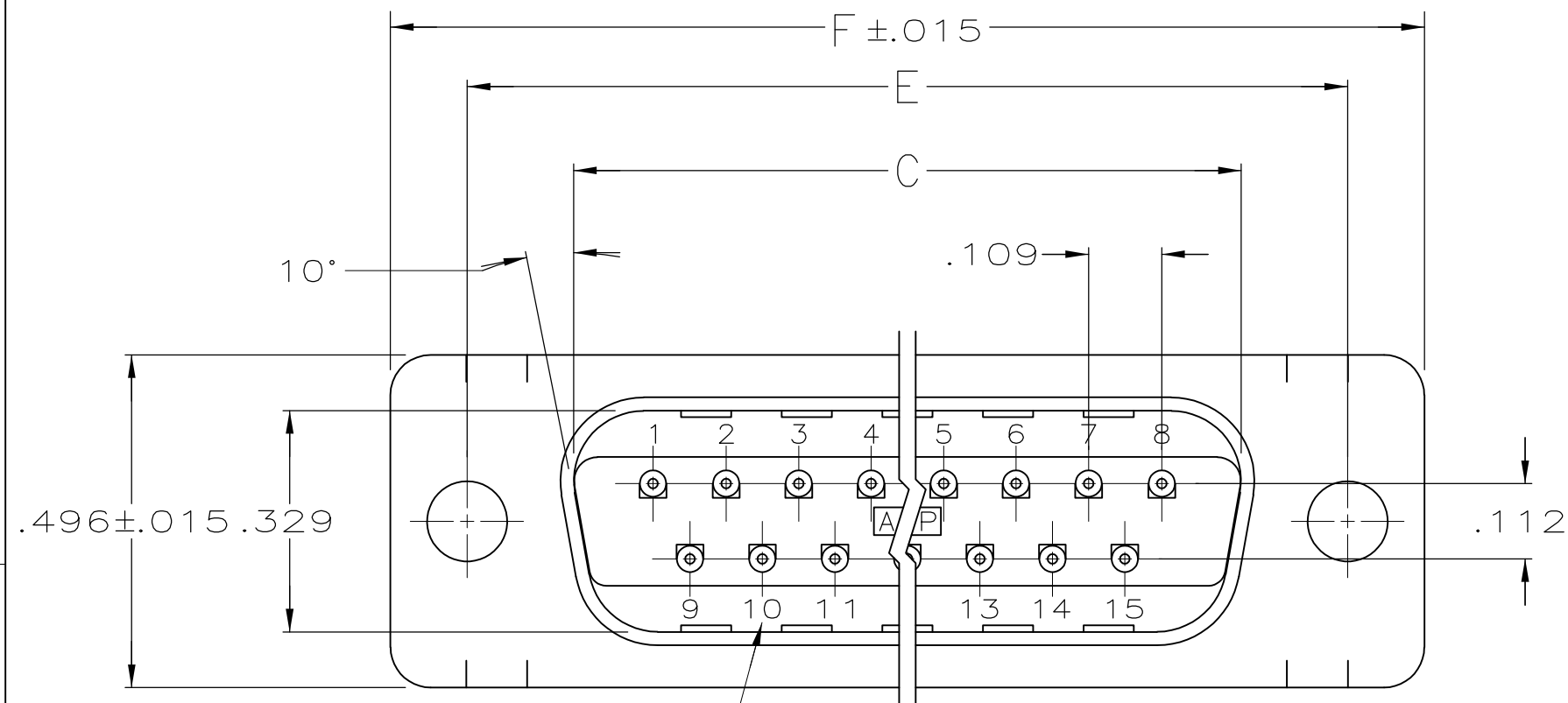
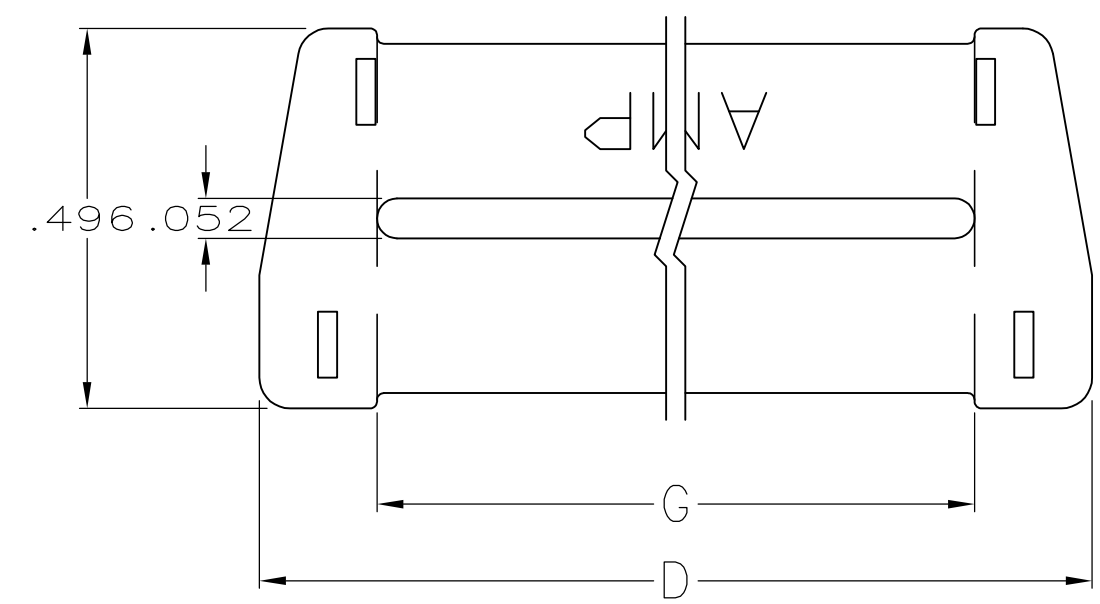
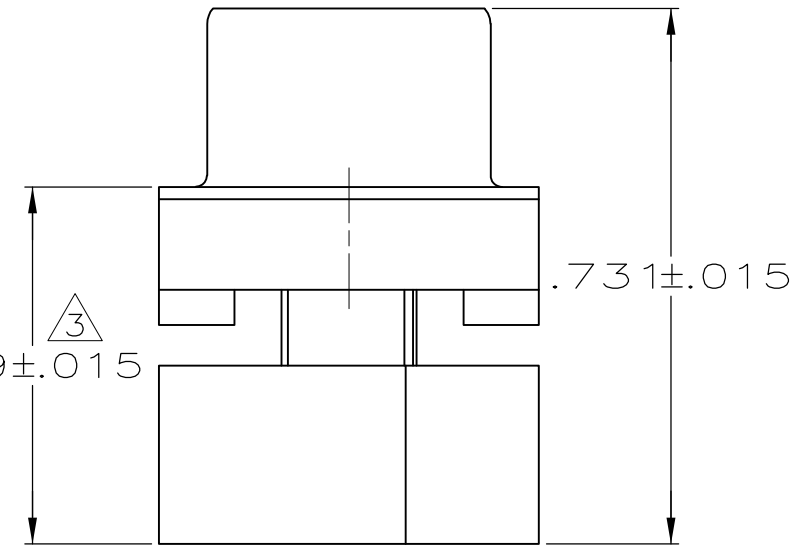
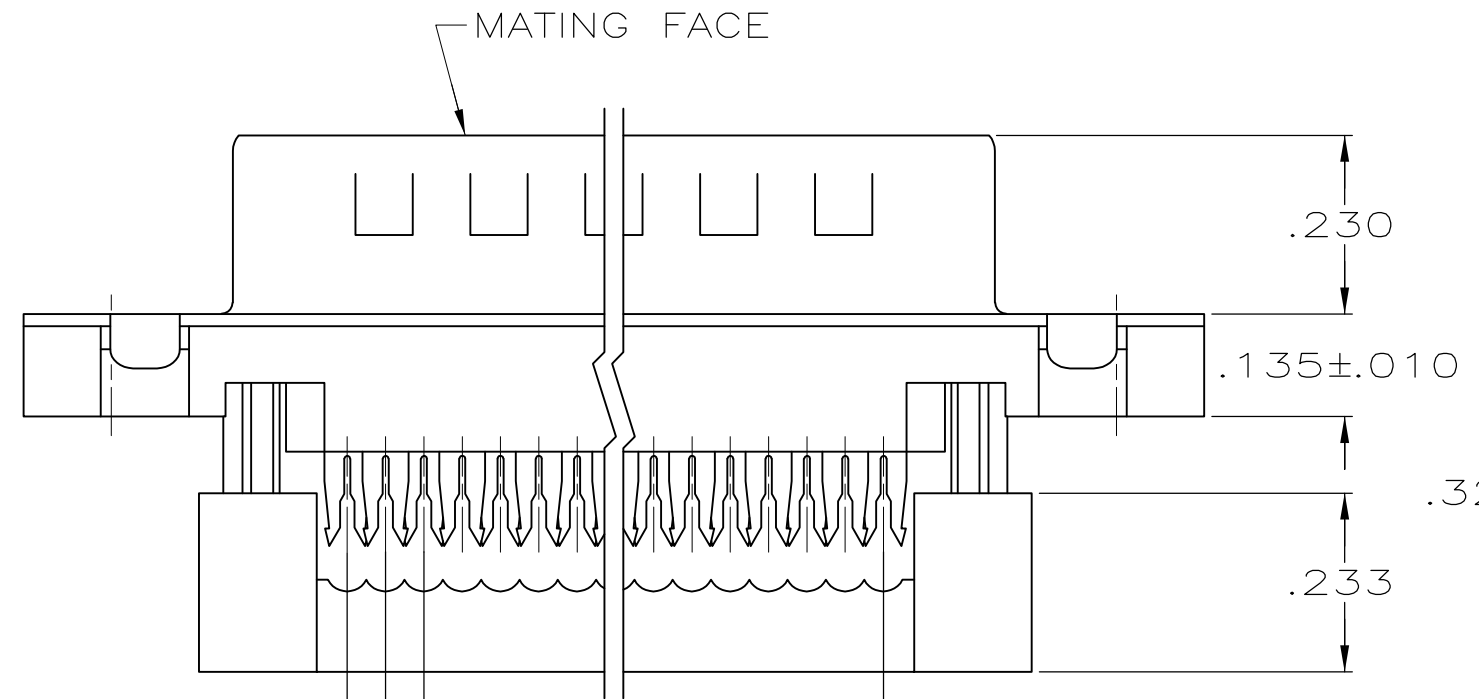
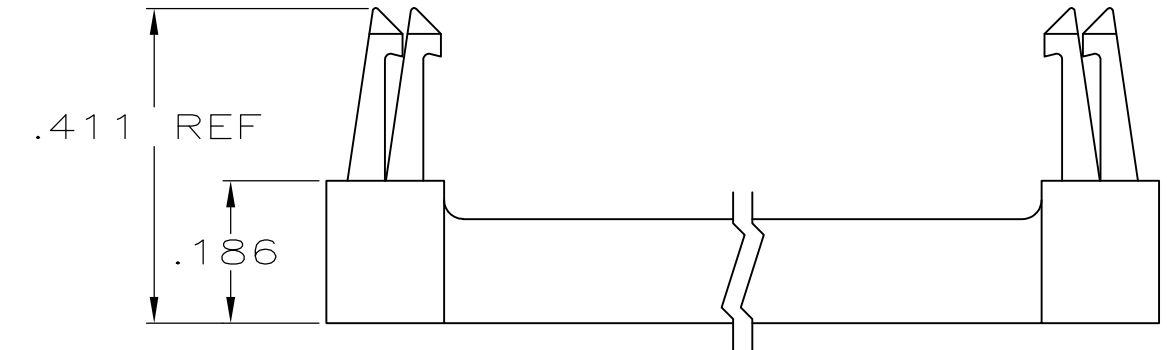


THIS DRAWING IS UNPUBLISHED. RELEASED FOR PUBLICATION
 © COPYRIGHT BY TYCO ELECTRONICS CORPORATION. ALL RIGHTS RESERVED.

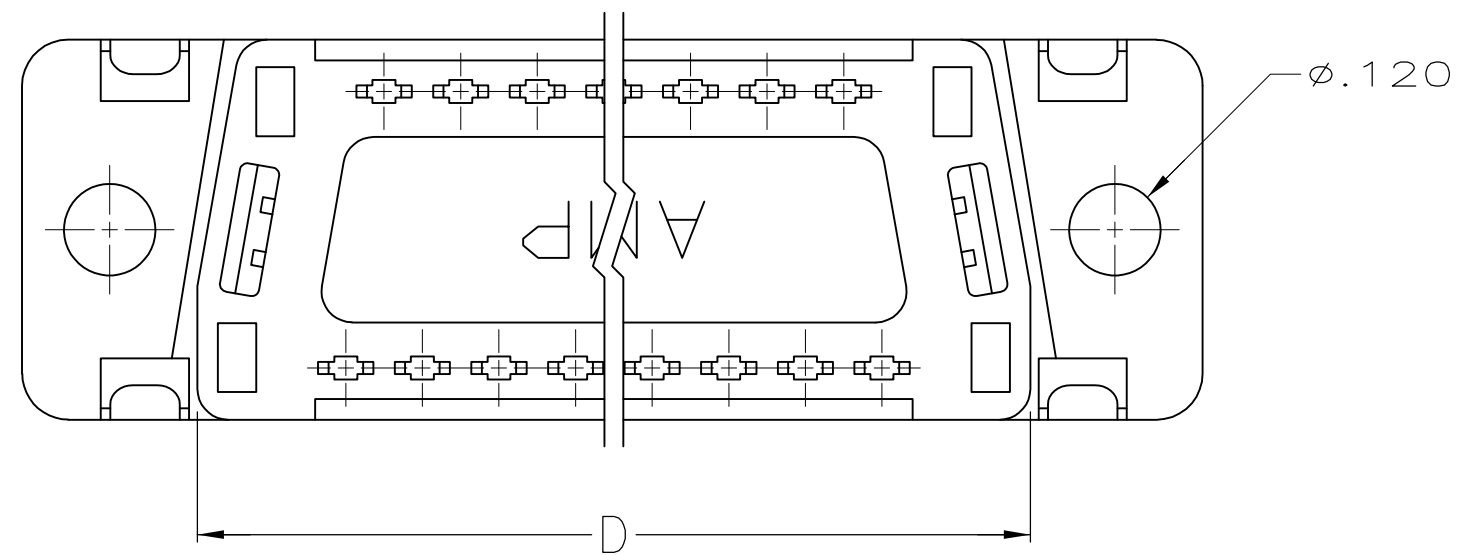
LOC	DIST	REVISIONS			
P	LTR	DESCRIPTION	DATE	DWN	APVD
GP	00	B	REVISED PER ECO-08-008760	30JUL2008	ZMRCWR



RAISED CAVITY IDENTIFICATION
(15 POSITION SHOWN)



.050 REF
 .100 REF
 A SPACES AT .050 = B



1.280	2.090	1.852	1.623	1.534	1.200	24	25	5747307-2
G	F	E	D	C	B	A	NO OF POS	PART NUMBER

THIS DRAWING IS A CONTROLLED DOCUMENT.

DWN	B. MCMASTER	31MAR04	 Tyco Electronics Corporation Harrisburg, PA 17105-3608
CHK	C. ROHDE	31MAR04	
APVD	M. WALMSLEY	31MAR04	
NAME			
PRODUCT SPEC			PLUG ASSEMBLY, LOW PROFILE HDF, FRONT METAL SHELL, W/PREASSEMBLED COVER & UNASSEMBLED STRAIN RELIEF
APPLICATION SPEC			
WEIGHT			RESTRICTED TO
MATERIAL			SIZE
FINISH			CAGE CODE
CUSTOMER DRAWING			DRAWING NO
			REV

SCALE 4:1 SHEET 1 of 2

THIS DRAWING IS UNPUBLISHED. RELEASED FOR PUBLICATION
 © COPYRIGHT BY TYCO ELECTRONICS CORPORATION. ALL RIGHTS RESERVED.

LOC	DIST	REVISIONS			
P	LTR	DESCRIPTION	DATE	DWN	APVD
GP	00	SEE SHEET 1	-	-	-

1. CONNECTORS COMPLY WITH AMP SPEC. 108-40012 AND MATE WITH ANY SAME NUMBER POSITION RECEPTACLE CONNECTOR IN AMPLIMITE SERIES.
2. CONNECTOR DESIGNED FOR 28 AND 26 AWG STRANDED AND SOLID CONDUCTOR RIBBON CABLE ON .050 ϕ .
3. DIMENSION APPLIES TO TERMINATED CONNECTOR.
4. MOLDED PARTS: FLAME RETARDANT 94V-0 RATED THERMOPLASTIC; COLOR: BLACK.
5. SHELL: STEEL PER QQ-S-698.
6. CONTACTS: PHOS. BRONZE PER QQ-B-750.
7. GOLD PLATING PER MIL-G-45204, TIN PLATING PER MIL-T-10727, NICKEL PLATING PER QQ-N-290.
8. SHELL: BRIGHT TIN PLATED.
9. CONTACTS:
 .000030 GOLD ON MATING END, .000100-.000200 MATTE TIN ON TERMINATION END, ALL OVER .000050 NICKEL ON ENTIRE CONTACT.
 OR
 GOLD FLASH OVER PALLADIUM-NICKEL ON MATING END, .000030 MIN TOTAL, .000100-.000200 MATTE TIN ON TERMINATION END, ALL OVER .000050 NICKEL ON ENTIRE CONTACT.
10. STRAIN RELIEF PACKAGED UNASSEMBLED.

THIS DRAWING IS A CONTROLLED DOCUMENT.		DWN B. MCMASTER 31MAR04	Tyco Electronics Corporation Harrisburg, PA 17105-3608																		
DIMENSIONS: INCHES		CHK C. ROHDE 31MAR04	NAME M. WALMSLEY 31MAR04																		
TOLERANCES UNLESS OTHERWISE SPECIFIED:		APVD M. WALMSLEY 31MAR04	PRODUCT SPEC																		
<table border="0"> <tr><td>0 PLC</td><td>±</td><td>-</td></tr> <tr><td>1 PLC</td><td>±</td><td>-</td></tr> <tr><td>2 PLC</td><td>±</td><td>-</td></tr> <tr><td>3 PLC</td><td>±</td><td>.005</td></tr> <tr><td>4 PLC</td><td>±</td><td>-</td></tr> <tr><td>ANGLES</td><td>±</td><td>2°</td></tr> </table>		0 PLC	±	-	1 PLC	±	-	2 PLC	±	-	3 PLC	±	.005	4 PLC	±	-	ANGLES	±	2°	APPLICATION SPEC	
0 PLC	±	-																			
1 PLC	±	-																			
2 PLC	±	-																			
3 PLC	±	.005																			
4 PLC	±	-																			
ANGLES	±	2°																			
MATERIAL	FINISH	WEIGHT	SIZE A2	CAGE CODE 00779																	
4 5 6	7 8 9	-	DRAWING NO 5747307																		
CUSTOMER DRAWING			SCALE 4:1	SHEET 2 of 2																	
			RESTRICTED TO	REV B																	

5747307