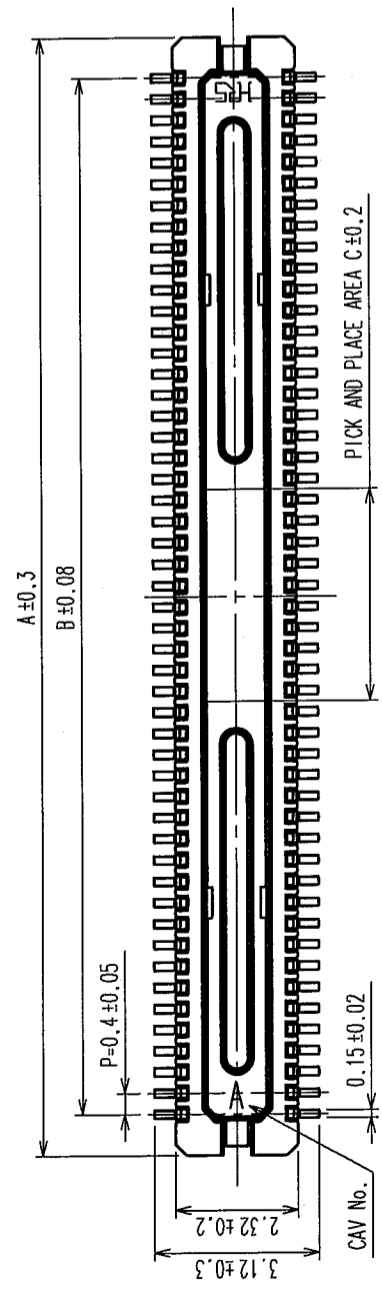
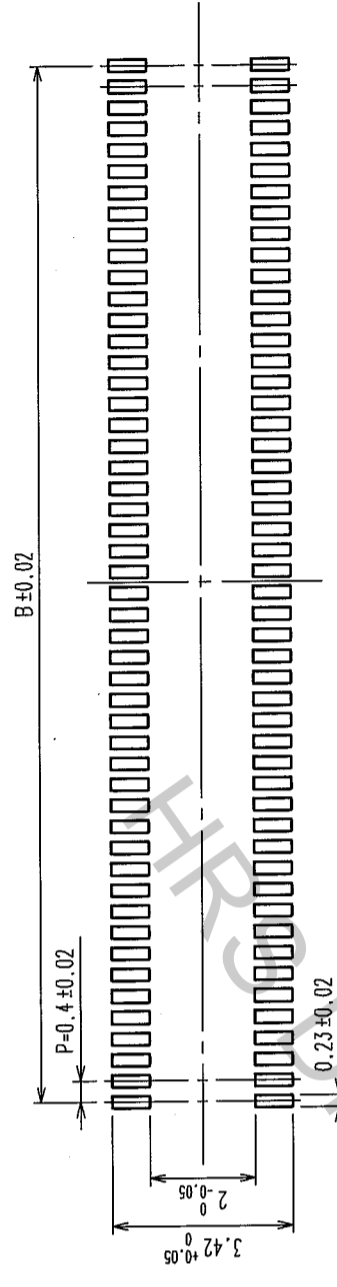


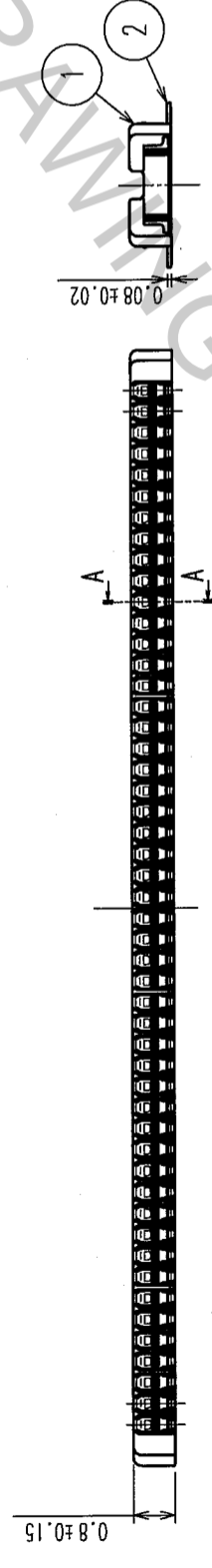
COUNT	DESCRIPTION OF REVISIONS	BY	CHKD	DATE	COUNT	DESCRIPTION OF REVISIONS	BY	CHKD	DATE



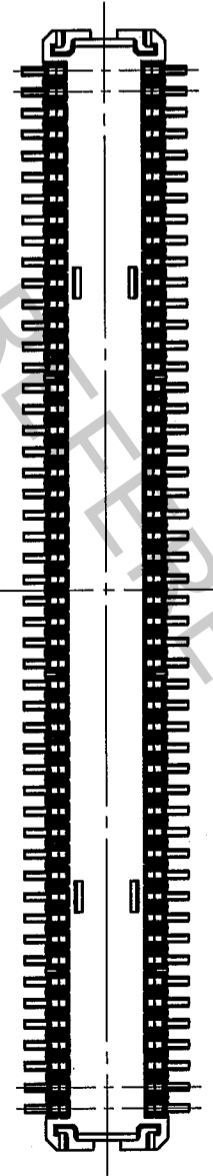
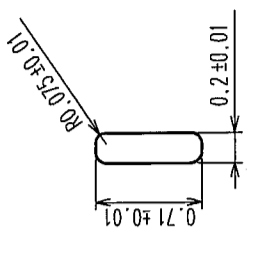
RECOMMENDED PATTERN



RECOMMENDED SOLDER PASTE: THICKNESS 120 μm

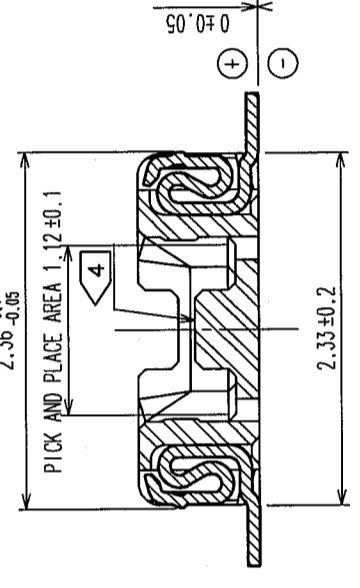


RECOMMENDED METAL MASK OPENING DIMENSIONS FOR LEAD PAD (20:1)



A-A (20:1)

ENGAGEMENT FIGURE (20:1)



NOTE 1. ALL LEADS CO-PLANARITY SHALL BE 0.1 MAX.

- 2. PER REEL : 1000 CONNECTORS.
- 3. AT THE BEGINNING OF THE REEL, 100 MM AT MIN SHALL BE EMPTY POCKETS.
AT THE END OF THE REEL, 160 MM AT MIN SHALL BE EMPTY POCKETS.
- 4. NO CAVITY ON THE CONNECTORS LESS THAN 24 POS.
- 5. CONTACT PLATING SPECIFICATIONS.
CONTACT AREA : GOLD 0.05 μm MIN.
SMT LEAD : GOLD 0.02 μm MIN.
UNDERPLATING : NICKEL 1 μm MIN.
(SURFACE : SEALING)

PART NO.	CODE NO.	A	B	C
DF30FC-80DP-0.4V(82)	CL684-1144-9-82	17.14	15.6	3.2
DF30FC-70DP-0.4V(82)	CL684-1077-3-82	15.14	13.6	2.8
DF30FC-60DP-0.4V(82)	CL684-1083-6-82	13.14	11.6	2.4
DF30FC-50DP-0.4V(82)	CL684-1143-6-82	11.14	9.6	2
DF30FC-40DP-0.4V(82)	CL684-1079-9-82	9.14	7.6	1.6
DF30FC-34DP-0.4V(82)	CL684-1142-3-82	7.94	6.4	1.36
DF30FC-30DP-0.4V(82)	CL684-1141-0-82	7.14	5.6	1.2
DF30FC-24DP-0.4V(82)	CL684-1140-8-82	5.94	4.4	1.2
DF30FC-22DP-0.4V(82)	CL684-1139-9-82	5.54	4.0	1.2
DF30FC-20DP-0.4V(82)	CL684-1138-6-82	5.14	3.6	1.2

NO.	MATERIAL	FINISH, REMARKS	NO.	MATERIAL	FINISH, REMARKS
2	PHOSPHOR BRONZE	UL94V-0, BLACK	4	POLYESTER	CLEAR(COVER TAPE)
1	LCP		3	PS	CLEAR(EMBOSSED CARRIER TAPE)

CODE NO. (OLD)	DESIGNED	CHECKED	APPROVED	RELEASED
	T.NISHI	K. Mitsuhashi	J. Oka	
	04.08.25	04.08.25	04.08.25	

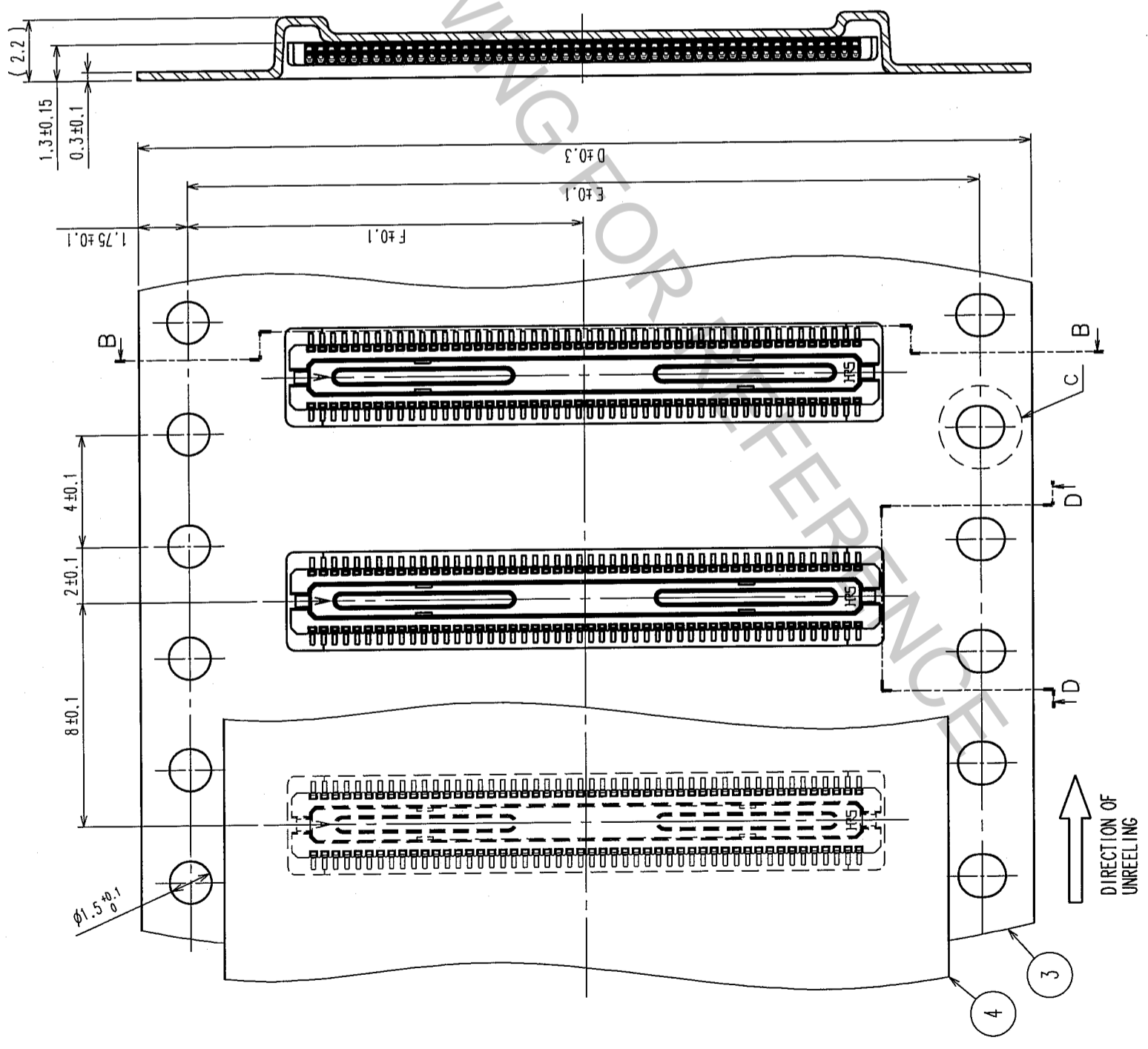
DRAWING NO.	PART NO.
EDC3-303555-05	DF30FC-*DP-0.4V(82)

SCALE	UNITS	CODE NO.
FREE	MM	CL684-***-**-82

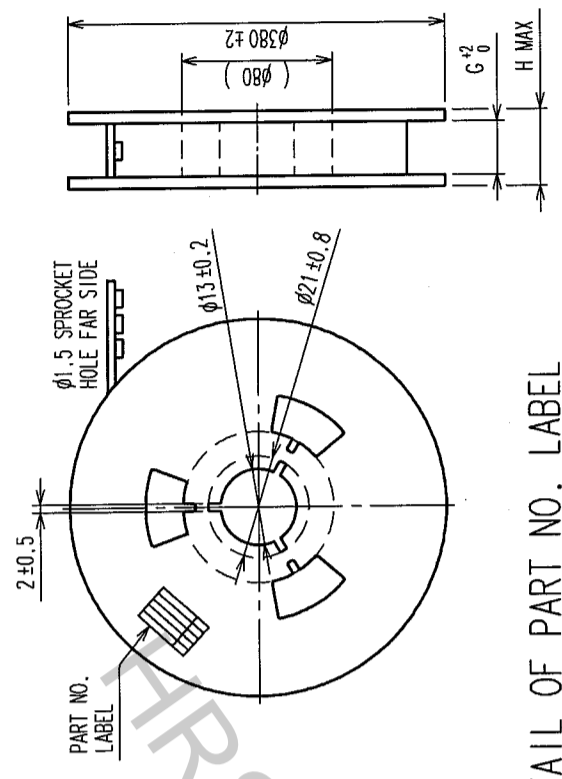
TO	
----	--

COUNT	DESCRIPTION OF REVISIONS	BY	CHKD	DATE	COUNT	DESCRIPTION OF REVISIONS	BY	CHKD	DATE

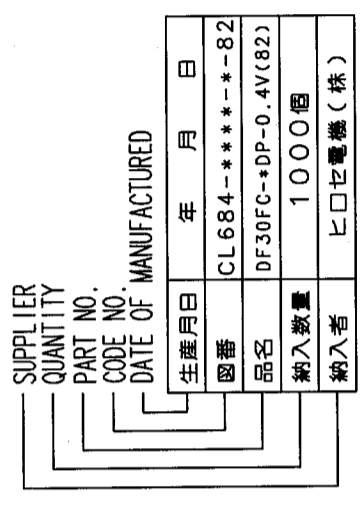
B-B



STYLE AND DIMENSION OF REEL (FREE)



DETAIL OF PART NO. LABEL



PART NO.	CODE NO.	D	E	F	G	H
DF30FC-80DP-0.4V(82)	CL684-1144-9-82	24	-	11.5	24.4	30.4
DF30FC-70DP-0.4V(82)	CL684-1077-3-82	24	-	11.5	24.4	30.4
DF30FC-60DP-0.4V(82)	CL684-1083-6-82	24	-	11.5	24.4	30.4
DF30FC-50DP-0.4V(82)	CL684-1143-6-82	24	-	11.5	24.4	30.4
DF30FC-40DP-0.4V(82)	CL684-1079-9-82	16	-	7.5	16.4	22.4
DF30FC-34DP-0.4V(82)	CL684-1142-3-82	16	-	7.5	16.4	22.4
DF30FC-30DP-0.4V(82)	CL684-1141-0-82	16	-	7.5	16.4	22.4
DF30FC-24DP-0.4V(82)	CL684-1140-8-82	16	-	7.5	16.4	22.4
DF30FC-22DP-0.4V(82)	CL684-1139-9-82	16	-	7.5	16.4	22.4
DF30FC-20DP-0.4V(82)	CL684-1138-6-82	16	-	7.5	16.4	22.4

CODE NO. (OLD)

DRAWN: T. NISHI, 040825

DESIGNED: K. Michikawa, 04.08.25

CHECKED: K. Shoda, 04.08.25

APPROVED: J. Oka, 04.08.25

RELEASED

DRAWING NO.: EDC3-303555-05

PART NO.: DF30FC-***DP-0.4V(82)

SCALE: 5 : 1

UNITS: mm

HIROSE ELECTRIC CO., LTD

CL684-***-**-82

TO			
----	--	--	--