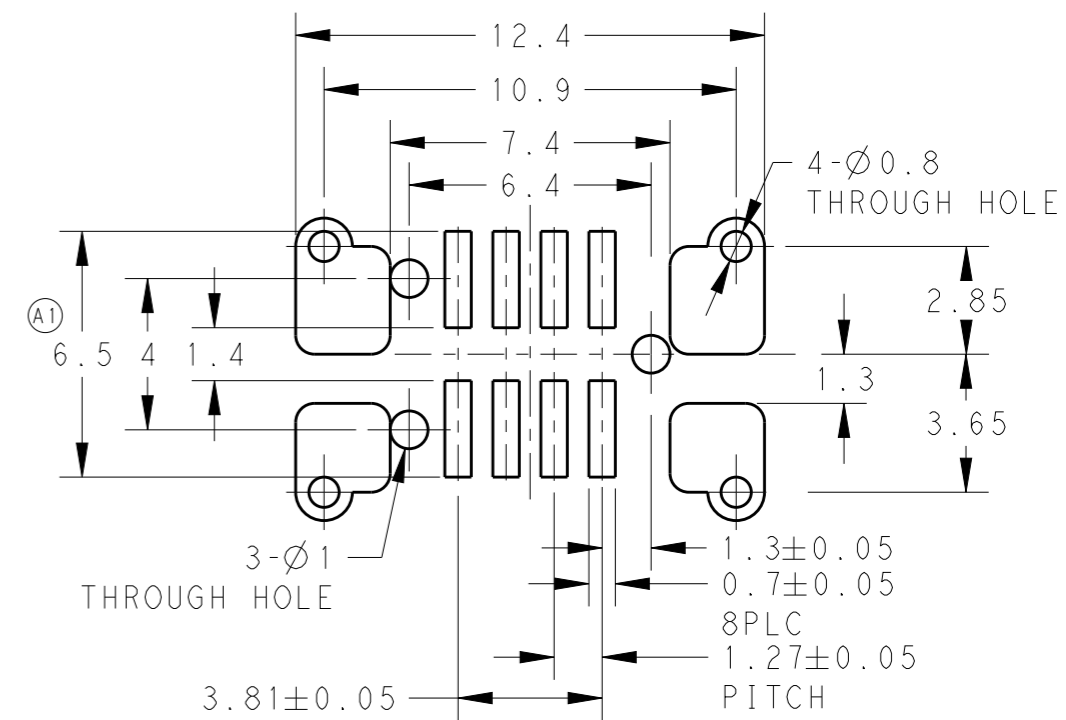
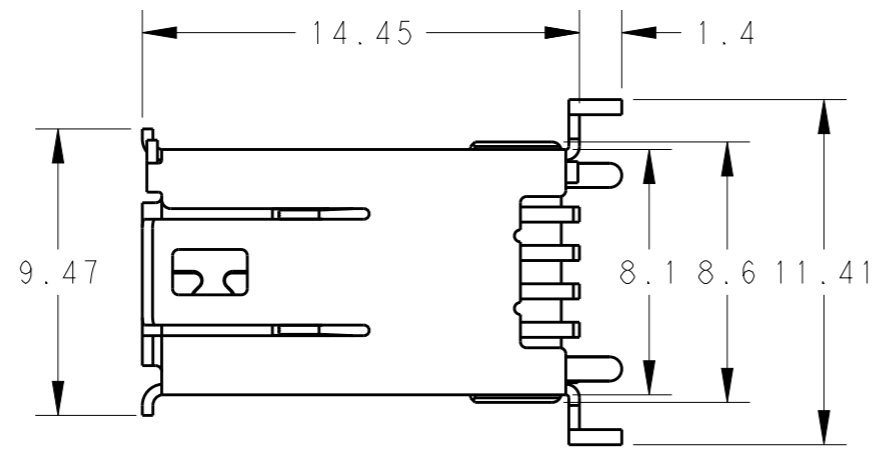
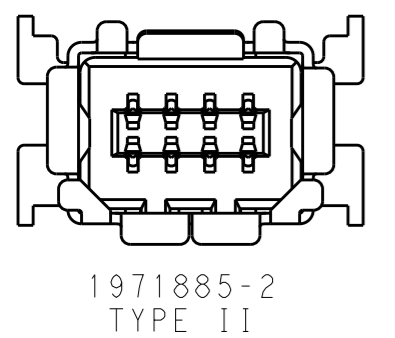
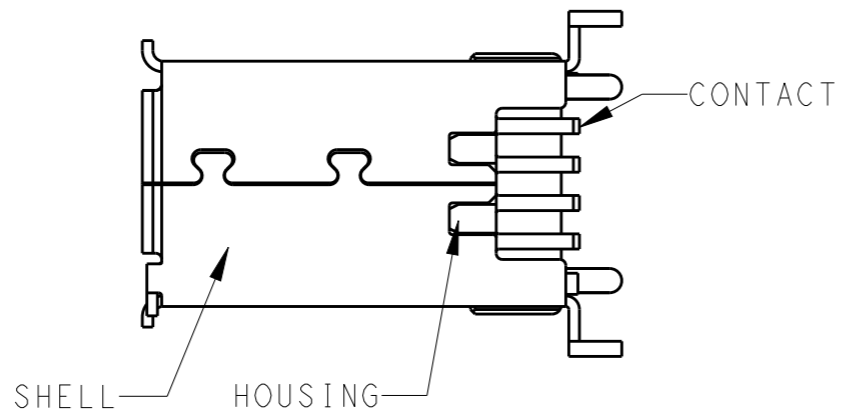
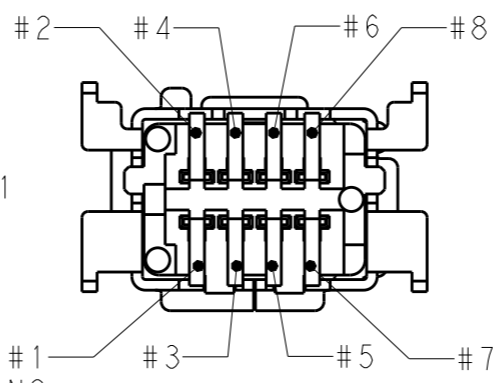
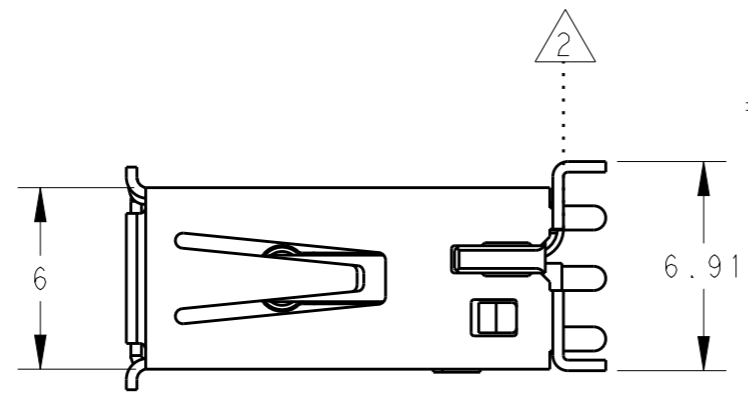
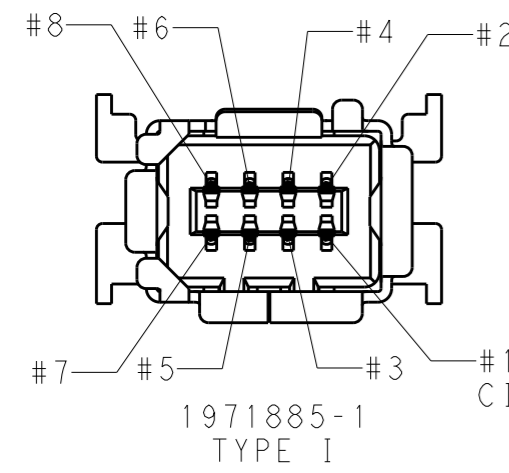


THIS DRAWING IS UNPUBLISHED. RELEASED FOR PUBLICATION. ALL RIGHTS RESERVED.

LOC	DIST	REVISIONS			
P	LTR	DESCRIPTION	DATE	DWN	APVD
-	-	A	NEW RELEASE	03MAR2013	H.W. P.Y.
-	-	A1	REVISED	16OCT2013	H.W. X.X.



RECOMMENDED BOARD DIMENSION
t=1.6
SCALE 5:1
GENERAL TOL.: ±0.1



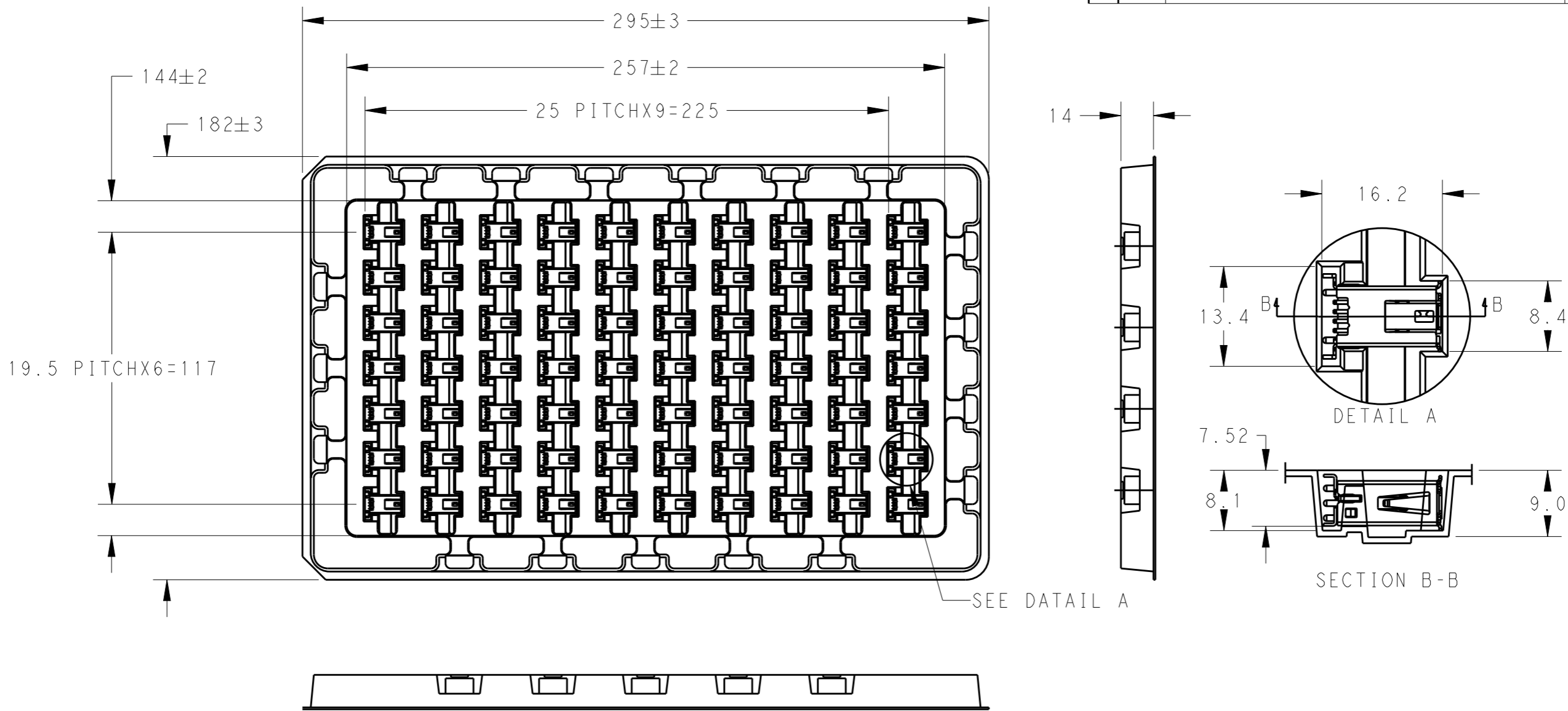
NOTES:
1 MATERIAL AND FINISH
CONTACT: COPPER ALLOY
UNDER ALL SURFACE NICKEL 1.27µm MIN.
TOP CONTACT AREA: GOLD 0.5µm MIN
SOLDERING AREA: TIN PLATE
HOUSING: THERMO PLASTIC (UL94V-0)
SHELL: COPPER ALLOY
UNDER ALL SURFACE NICKEL
TOP ALL SURFACE TIN
2 COPLANARITY 0.1 MAX
(IN 8 TIPS OF CONTACTS AND 4 PEGS OF SHELL)
3 GENERAL TOL.: ±0.3; ±5°

8	TYPE II SMT RECEPTACLE WITH CAP	1-1971885-2
8	TYPE I SMT RECEPTACLE WITH CAP	1-1971885-1
8	TYPE II SMT RECEPTACLE	1971885-2
8	TYPE I SMT RECEPTACLE	1971885-1
POS	DESCRIPTION	PART NO

THIS DRAWING IS A CONTROLLED DOCUMENT.		DWN 03MAR2013 HOWELL WANG	TE Connectivity			
DIMENSIONS: mm		CHK 03MAR2013 DAVID WANG				
TOLERANCES UNLESS OTHERWISE SPECIFIED:		APVD 03MAR2013 PETER YIN	NAME SMT VERTICAL MINI I/O RECEPTACLE 1.27mm PITCH			
0 PLC ± 1 PLC ± 2 PLC ± 3 PLC ± 4 PLC ± ANGLES ±		PRODUCT SPEC 108-106087	SIZE A3	CAGE CODE -	DRAWING NO C-1971885	RESTRICTED TO -
MATERIAL -		FINISH -	WEIGHT -		SCALE 4:1 SHEET 1 OF 3 REV A1	
Customer Drawing						

THIS DRAWING IS UNPUBLISHED. RELEASED FOR PUBLICATION
 © COPYRIGHT - BY - ALL RIGHTS RESERVED.

LOC	DIST	REVISIONS			
P	LTR	DESCRIPTION	DATE	DWN	APVD
-	-	SEE SHEET 1	-	-	-



SEE DETAIL A

PACKAGE AS SHOWN	1971885-2 1971885-1
DESCRIPTION	PART NO

NOTE:
 4 PACKAGE:
 70PCS PER TRAY FOR 1971885-1 & 1971885-2

THIS DRAWING IS A CONTROLLED DOCUMENT.		DWN	SEE SHEET 1	TE Connectivity NAME SMT VERTICAL MINI I/O RECEPTACLE 1.27mm PITCH							
DIMENSIONS: mm		CHK	SEE SHEET 1								
TOLERANCES UNLESS OTHERWISE SPECIFIED:		APVD	SEE SHEET 1								
0 PLC ±- 1 PLC ±- 2 PLC ±- 3 PLC ±- 4 PLC ±- ANGLES ±-		PRODUCT SPEC	SEE SHEET 1								
MATERIAL	-	APPLICATION SPEC	-	SIZE	A3	CAGE CODE	-	DRAWING NO	©-1971885	RESTRICTED TO	-
FINISH		WEIGHT	-	SCALE	4:1	SHEET	2	OF	3	REV	A1
Customer Drawing											

4

3

2

1

THIS DRAWING IS UNPUBLISHED.

RELEASED FOR PUBLICATION

© COPYRIGHT - BY -

ALL RIGHTS RESERVED.

LOC - DIST -

REVISIONS

P	LTR	DESCRIPTION	DATE	DWN	APVD
-	-	SEE SHEET 1	-	-	-

295±3
257±2
25.5 PITCHX9=229.5
144±2
182±3
17 PITCHX7=119

22.4

DETAIL C

17.4 16
13.1

SECTION D-D

SEE DATA C

PACKAGE AS SHOWN

1-1971885-2

1-1971885-1

DESCRIPTION

PART NO

NOTE:
5 PACKAGE:
80PCS PER TRAY FOR 1-1971885-1 & 1-1971885-2

THIS DRAWING IS A CONTROLLED DOCUMENT.

DIMENSIONS:	TOLERANCES UNLESS OTHERWISE SPECIFIED:
mm	
	0 PLC ± -
	1 PLC ± -
	2 PLC ± -
	3 PLC ± -
	4 PLC ± -
	ANGLES ± -
MATERIAL -	FINISH -

DWN	SEE SHEET 1
CHK	SEE SHEET 1
APVD	SEE SHEET 1
PRODUCT SPEC	SEE SHEET 1
APPLICATION SPEC	-
WEIGHT	-
Customer Drawing	

STE

TE Connectivity

NAME
SMT VERTICAL MINI I/O RECEPTACLE
1.27mm PITCH

SIZE	CAGE CODE	DRAWING NO	RESTRICTED TO
A3	-	©-1971885	-
SCALE -		SHEET 3 OF 3	REV A1

1470-19 (3/11)