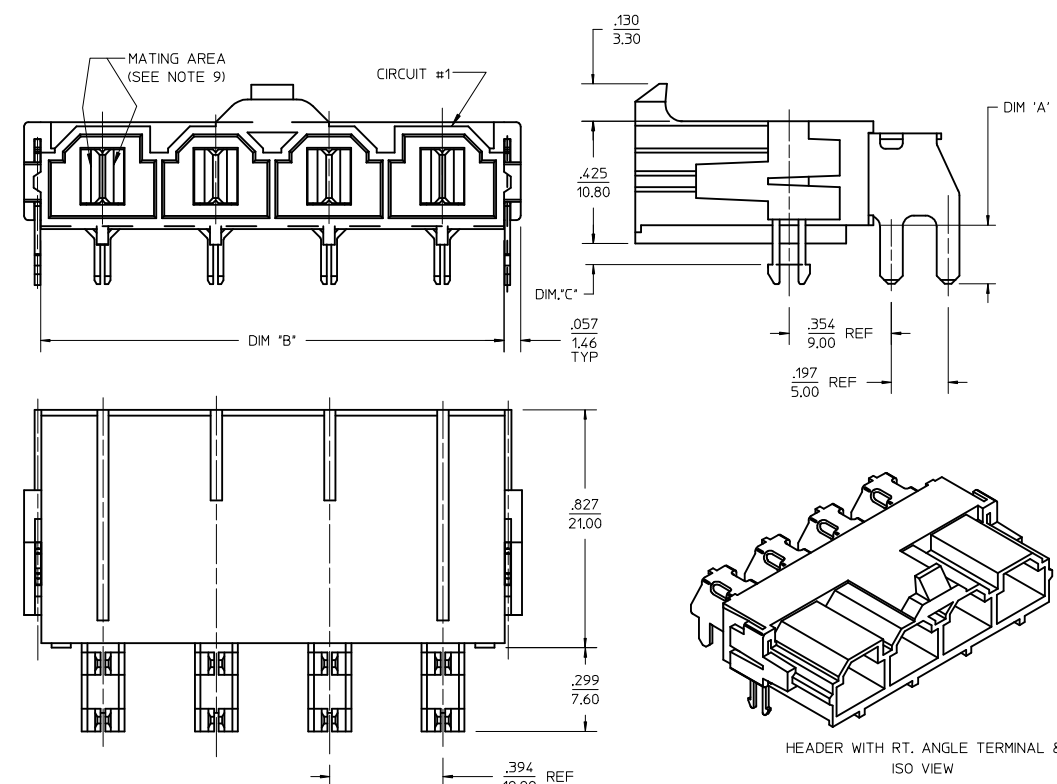


	13	12	11	10	9	8	7	6	5	4	3	2	1
	ITEM NUMBER	OKT. SIZE	DIM.'A'	DIM.'B'	DIM.'C'	TERMINAL PLATING	CLIP PLATING	STATUS					
J	42820-2213	2	.138/(3.50)	.823/(20.90)	.071/(1.80)								
	42820-2313	2	.138/(3.50)	.823/(20.90)	N/A								
	42820-2223	2	.201/(5.10)	.823/(20.90)	.102/(2.60)								
	42820-2233	2	.201/(5.10)	.823/(20.90)	.134/(3.40)								
	42820-2243	2	.327/(8.30)	.823/(20.90)	.259/(6.58)								
	42820-3213	3	.138/(3.50)	1.217/(30.90)	.071/(1.80)								
	42820-3228	3	.138/(3.50)	1.217/(30.90)	.102/(2.60)								
I	42820-3223	3	.201/(5.10)	1.217/(30.90)	.102/(2.60)	SELECT GOLD IN CONTACT AREA (SEE LEGEND)		ACTIVE					
	42820-3233	3	.201/(5.10)	1.217/(30.90)	.134/(3.40)								
	42820-3243	3	.327/(8.30)	1.217/(30.90)	.259/(6.58)								
	42820-4213	4	.138/(3.50)	1.610/(40.90)	.071/(1.80)								
	42820-4223	4	.201/(5.10)	1.610/(40.90)	.102/(2.60)	SELECT MATTE TIN ON SOLDER TAILS							
	42820-4233	4	.201/(5.10)	1.610/(40.90)	.134/(3.40)								
	42820-4243	4	.327/(8.30)	1.610/(40.90)	.259/(6.58)								
	42820-5213	5	.138/(3.50)	2.004/(50.90)	.071/(1.80)								
H	42820-5223	5	.201/(5.10)	2.004/(50.90)	.102/(2.60)								
	42820-5233	5	.201/(5.10)	2.004/(50.90)	.134/(3.40)								
	42820-5243	5	.327/(8.30)	2.004/(50.90)	.259/(6.58)								
	42820-6213	6	.138/(3.50)	2.398/(60.90)	.071/(1.80)								
	42820-6223	6	.201/(5.10)	2.398/(60.90)	.102/(2.60)								
	42820-6233	6	.201/(5.10)	2.398/(60.90)	.134/(3.40)								
	42820-6243	6	.327/(8.30)	2.398/(60.90)	.259/(6.58)								
G	42820-2214	2	.138/(3.50)	.823/(20.90)	.071/(1.80)								
	42820-2224	2	.201/(5.10)	.823/(20.90)	.102/(2.60)								
	42820-2234	2	.201/(5.10)	.823/(20.90)	.134/(3.40)								
	42820-2244	2	.327/(8.30)	.823/(20.90)	.259/(6.58)								
	42820-2314	2	.138/(3.50)	.823/(20.90)	N/A								
	42820-3214	3	.138/(3.50)	1.217/(30.90)	.071/(1.80)								
	42820-3224	3	.201/(5.10)	1.217/(30.90)	.102/(2.60)								
F	42820-3234	3	.201/(5.10)	1.217/(30.90)	.134/(3.40)	SELECT SILVER IN CONTACT AREA (SEE LEGEND)		ACTIVE					
	42820-3244	3	.327/(8.30)	1.217/(30.90)	.259/(6.58)								
	42820-3314	3	.138/(3.50)	1.217/(30.90)	N/A								
	42820-4214	4	.138/(3.50)	1.610/(40.90)	.071/(1.80)								
	42820-4224	4	.201/(5.10)	1.610/(40.90)	.102/(2.60)								
	42820-4234	4	.201/(5.10)	1.610/(40.90)	.134/(3.40)	SELECT MATTE TIN ON SOLDER TAILS							
	42820-4244	4	.327/(8.30)	1.610/(40.90)	.259/(6.58)								
E	42820-5214	5	.138/(3.50)	2.004/(50.90)	.071/(1.80)								
	42820-5224	5	.201/(5.10)	2.004/(50.90)	.102/(2.60)								
	42820-5234	5	.201/(5.10)	2.004/(50.90)	.134/(3.40)								
	42820-5244	5	.327/(8.30)	2.004/(50.90)	.259/(6.58)								
	42820-5314	5	.138/(3.50)	2.004/(50.90)	N/A								
	42820-6214	6	.138/(3.50)	2.398/(60.90)	.071/(1.80)								
	42820-6224	6	.201/(5.10)	2.398/(60.90)	.102/(2.60)								
	42820-6234	6	.201/(5.10)	2.398/(60.90)	.134/(3.40)								
D	42820-6244	6	.327/(8.30)	2.398/(60.90)	.259/(6.58)								

NOTE:
 1) MATERIAL:
 HOUSING MATERIAL:30% GLASS-FILLED NYLON 4/6, UL94V-0, COLOR: BLACK.
 TERMINAL MATERIAL ALLOY 151.
 2) FINISH: 2= .000100/(.00254) MIN. TIN OVER .000050/(.00127) MIN. NICKEL.
 3= .000030/(.00076) MIN. SELECT GOLD IN CONTACT AREA.
 OVER .000050/(.00127) MIN NICKEL.
 4= .000100/(.00254) MIN SELECT SILVER IN CONTACT AREA
 .000100/(.00254) MIN. SELECT TIN ON SOLDER TAILS
 OVER .000050/(.00127) MIN NICKEL.
 3) PRODUCT SPECIFICATION: PS-42815-001.
 4) PACKAGING INFORMATION SEE MOLEX PACKING SPEC. PK-42820-910
 5) PART MATES WITH MOLEX RECEPTACLE *42816-***2 WITH TPA.
 6) PART IS DESIGNED IN METRIC.
 7) AN "X" IN FRONT OF THE ITEM NUMBER INDICATES THE PART IS NOT TOOLED.
 8) PARTS ARE NOT TO BE MATED OR UNMATED WHILE CIRCUITS ARE LIVE
 9) WHEN USING OVERALL TIN PLATED TERMINALS:
 FOR APPLICATIONS INVOLVING VIBRATION AND/OR TERMINAL CYCLING, MOLEX STRONGLY
 RECOMMENDS THE USE OF NYE LUBRICANT (NYOGEL 760G) ON THE MATING
 SURFACES OF THE TERMINAL.
 10) PARTS CONFORMS TO CLASS 'B' REQUIREMENTS OF COSMETIC
 SPECIFICATIONS PS-45499-002
 11) FOR TAPE AND REEL PACKAGING REFER TO PK-45986-004
 12) BOARD CLIP HOLE MAY OR MAY NOT BE PLATED, REFER TO CHART
 FOR PLATED / UNPLATED CLIPS.
 13) REFER AS-42815-001 FOR TIN PLATED TERMINALS RECOMMENDED LUBRICATION PROCEDURE.



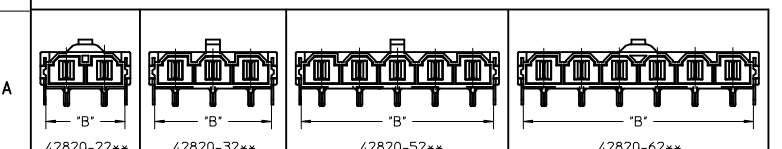
LEGEND :

A-42820 - * * * *
 CIRCUIT SIZE (2-6)

PLATING
 2 OR 9 = OVERALL BRIGHT TIN OVER NICKEL
 3 OR 8 = SELECT GOLD IN CONTACT AREA
 SELECT MATTE TIN ON SOLDER TAILS OVER NICKEL
 4 = SELECT SILVER IN CONTACT AREA
 SELECT MATTE TIN ON SOLDER TAILS OVER NICKEL

MOUNTING OPTION
 1 = FLANGES (SEE DWG SDA-42820-x1**)
 2 = RETENTION CLIP
 3 = NO RETENTION CLIP

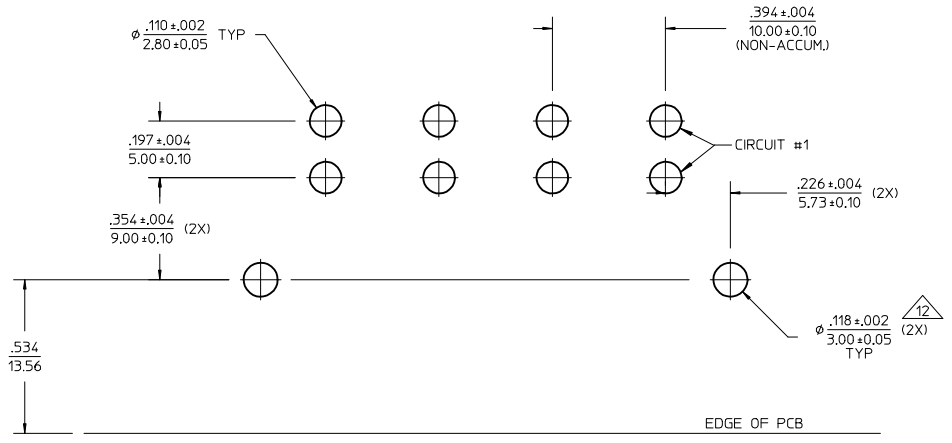
P.C. BOARD THICKNESS
 1 = .062/(1.57) NOMINAL
 2 = .093/(2.36) NOMINAL
 3 = .125/(3.18) NOMINAL
 4 = .250/(6.35) NOMINAL



ADD - 2314 & -3314 EC NO: UCP2016-2636 DRAWN: COLE CHKD: APPR: BPI/SZCZOR 2016/01/29	DESCRIPTION	QUALITY SYMBOLS	GENERAL TOLERANCES (UNLESS SPECIFIED)	DIMENSION STYLE	SCALE	DESIGN UNITS	THIRD ANGLE PROJECTION
		<input type="checkbox"/> = 0 <input type="checkbox"/> = 0 <input type="checkbox"/> = 0	mm INCH 4 PLACES ± --- ± --- 3 PLACES ± --- ± .005 2 PLACES ± 0.13 ± .010 1 PLACE ± 0.25 ± --- 0 PLACE ± --- ± ---	IN/MM	3:1	METRIC	<input checked="" type="checkbox"/> THIRD ANGLE PROJECTION
G12	REV	APPROVED BY	APPROVED BY	DRAWN BY	DATE	TITLE	MINI-FIT SR, RIGHT ANGLE HEADER ASSEMBLY molex
		SZCZOR	SF	KSM	1/4/96	SDA-42820-0002	
MATERIAL NO.			DRAFT WHERE APPLICABLE MUST REMAIN WITHIN DIMENSIONS		DOCUMENT NO.		SHEET NO.
SEE CHART			THIS DRAWING CONTAINS INFORMATION THAT IS PROPRIETARY TO MOLEX INCORPORATED AND SHOULD NOT BE USED WITHOUT WRITTEN PERMISSION		SDA-42820-0002		1 OF 2

ITEM NUMBER	QKT. SIZE	DIM.'A'	DIM.'B'	DIM.'C'	TERMINAL PLATING	CLIP PLATING	STATUS
42820-2212	2	.138/(3,50)	.823/(20,90)	.071/(1,80)	OVERALL BRIGHT TIN	NONE	PLANNED FOR OBSOLESCENCE
42820-2219	2	.138/(3,50)	.823/(20,90)	.071/(1,80)			
42820-2222	2	.201/(5,10)	.823/(20,90)	.102/(2,60)			
42820-2232	2	.201/(5,10)	.823/(20,90)	.134/(3,40)			
42820-2239	2	.201/(5,10)	.823/(20,90)	.134/(3,40)			
42820-2242	2	.327/(8,30)	.823/(20,90)	.259/(6,58)			
42820-3212	3	.138/(3,50)	1.217/(30,90)	.071/(1,80)			
42820-3222	3	.201/(5,10)	1.217/(30,90)	.102/(2,60)			
42820-3229	3	.201/(5,10)	1.217/(30,90)	.102/(2,60)			
42820-3232	3	.201/(5,10)	1.217/(30,90)	.134/(3,40)			
42820-3242	3	.327/(8,30)	1.217/(30,90)	.259/(6,58)			
42820-4212	4	.138/(3,50)	1.610/(40,90)	.071/(1,80)			
42820-4312	4	.138/(3,50)	1.610/(40,90)	N/A			
42820-4222	4	.201/(5,10)	1.610/(40,90)	.102/(2,60)			
42820-4232	4	.201/(5,10)	1.610/(40,90)	.134/(3,40)			
42820-4242	4	.327/(8,30)	1.610/(40,90)	.259/(6,58)			
42820-5212	5	.138/(3,50)	2.004/(50,90)	.071/(1,80)			
42820-5222	5	.201/(5,10)	2.004/(50,90)	.102/(2,60)			
42820-5232	5	.201/(5,10)	2.004/(50,90)	.134/(3,40)			
42820-5242	5	.327/(8,30)	2.004/(50,90)	.259/(6,58)			
42820-6212	6	.138/(3,50)	2.398/(60,90)	.071/(1,80)			
42820-6222	6	.201/(5,10)	2.398/(60,90)	.102/(2,60)			
42820-6229	6	.201/(5,10)	2.398/(60,90)	.102/(2,60)			
42820-6232	6	.201/(5,10)	2.398/(60,90)	.134/(3,40)			
42820-6242	6	.327/(8,30)	2.398/(60,90)	.259/(6,58)			
42820-2332	2	.201/(5,10)	.823/(20,90)	N/A			
42820-2342	2	.327/(8,30)	.823/(20,90)	N/A			

SEE NOTE 11



SEE SHEET 1 EC NO: UCP2016-2636 DRWN:MCOLE 2016/01/04 CHKD: APPR:BP1/SZCZOR 2016/01/29	QUALITY SYMBOLS	GENERAL TOLERANCES (UNLESS SPECIFIED)	DIMENSION STYLE	SCALE	DESIGN UNITS	THIRD ANGLE PROJECTION
	▽=0	mm INCH	IN/MM	3:1	METRIC	
	▽=0	4 PLACES ± --- ± ---	DRAWN BY DATE	MINI-FIT SR. RIGHT ANGLE HEADER ASSEMBLY		
	▽=0	3 PLACES ± --- ±.005	KSM 1/4/96	molex		
		2 PLACES ± 0.13 ±.010	CHECKED BY DATE	SDA-42820-0002		
		1 PLACE ± 0.25 ± ---	SF 1/4/96	2 OF 2		
		0 PLACE ± --- ± ---	APPROVED BY DATE	THIS DRAWING CONTAINS INFORMATION THAT IS PROPRIETARY TO MOLEX INCORPORATED AND SHOULD NOT BE USED WITHOUT WRITTEN PERMISSION		
		ANGULAR ±1/2°	SF 1/4/96			
		DRAFT WHERE APPLICABLE MUST REMAIN WITHIN DIMENSIONS	MATERIAL NO.			
			SEE CHART			
			SIZE C			