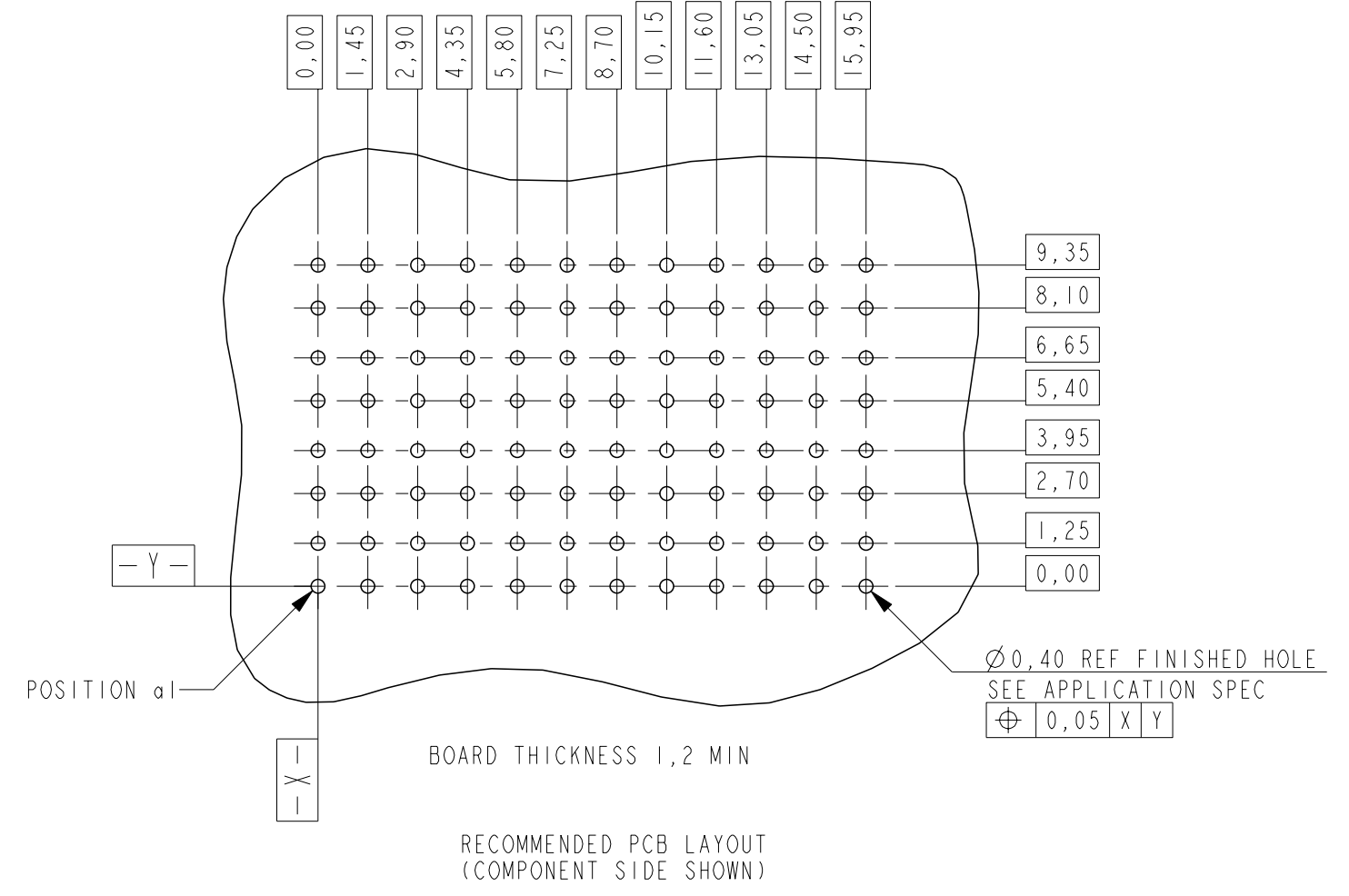
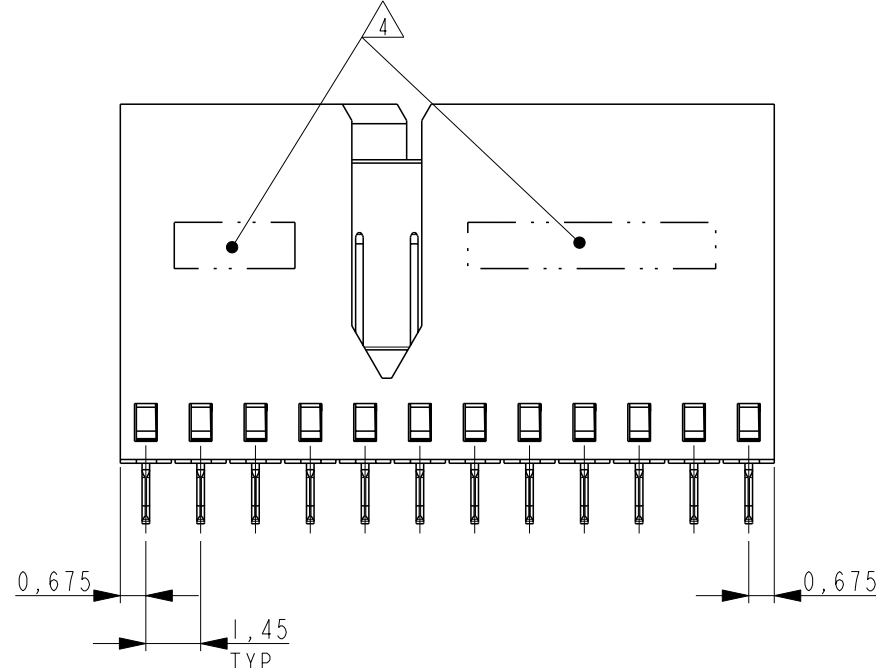
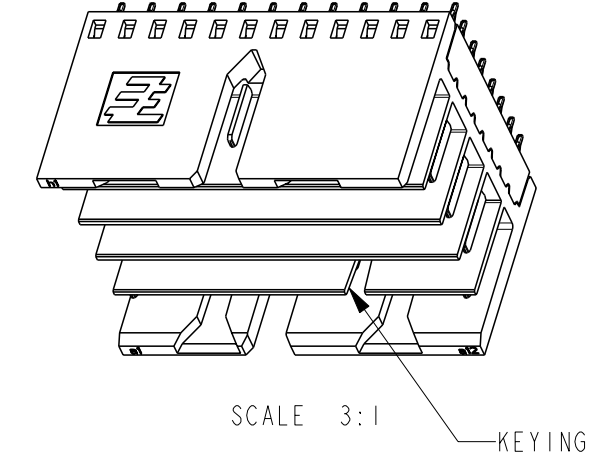
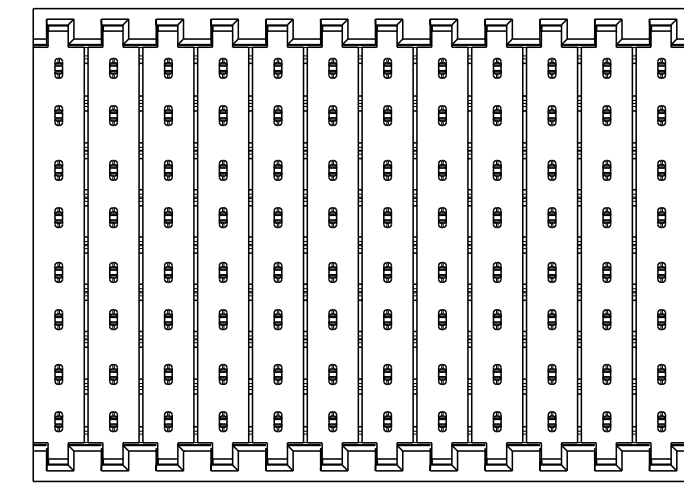
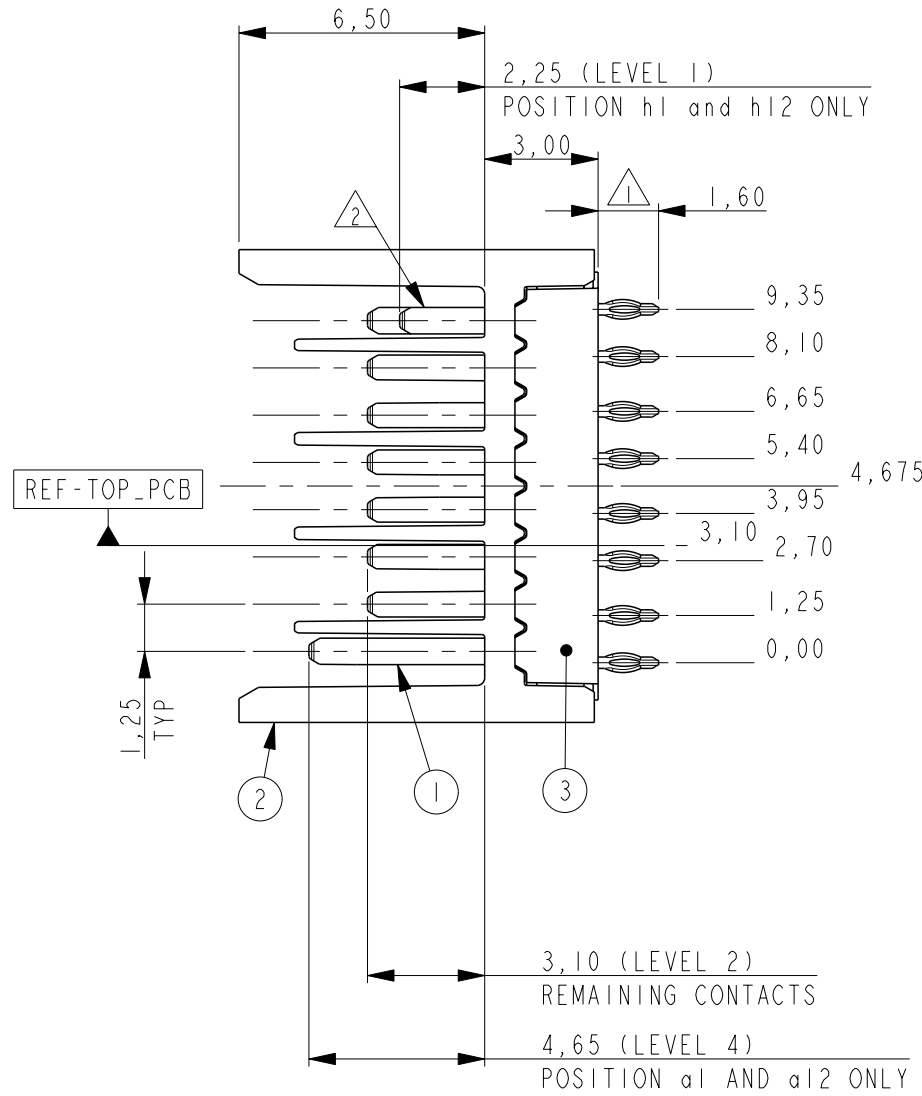
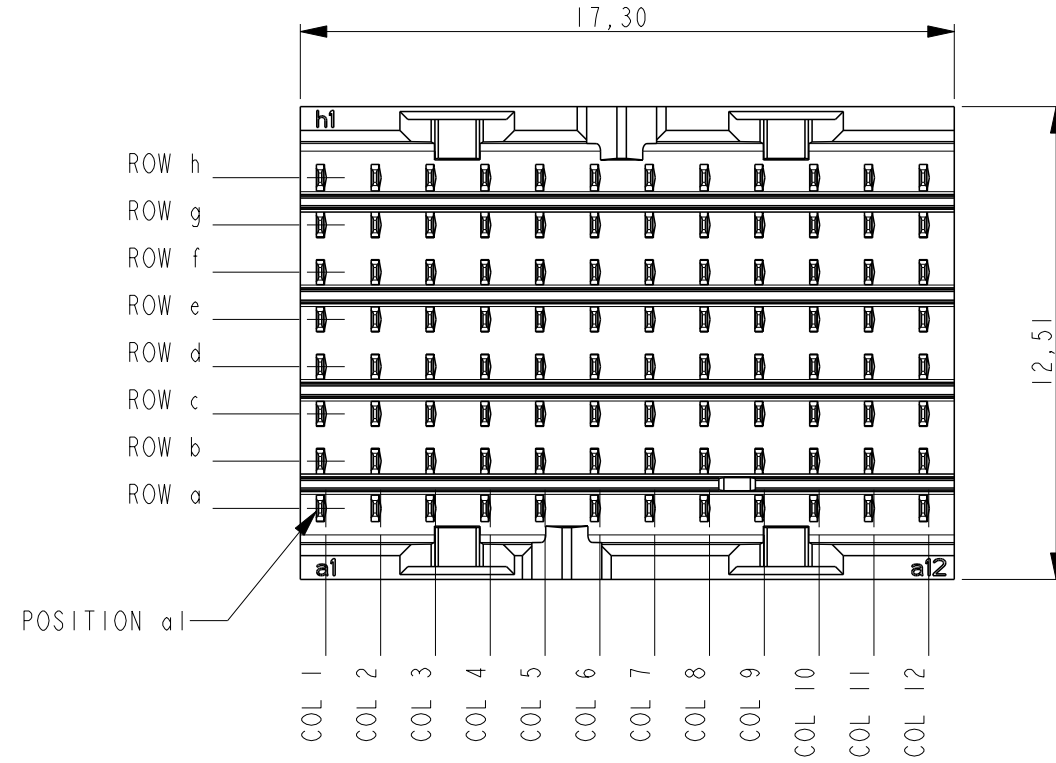
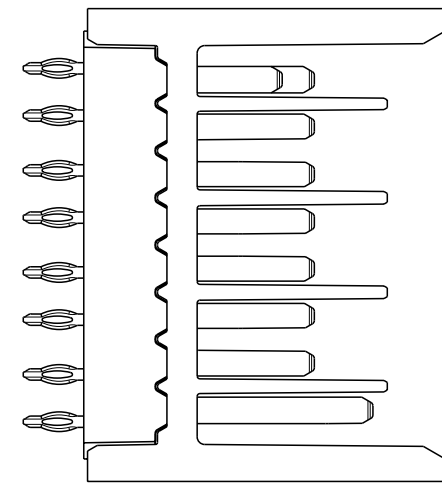
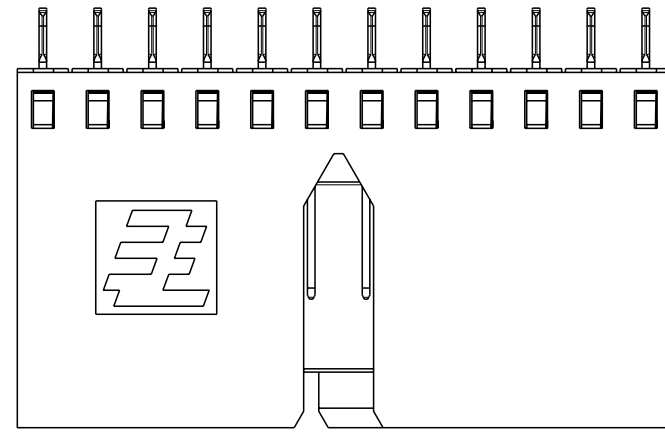


THIS DRAWING IS UNPUBLISHED. RELEASED FOR PUBLICATION  
 © COPYRIGHT - BY TYCO ELECTRONICS CORPORATION. ALL RIGHTS RESERVED.

LOC	DIST	REVISIONS					
H	-	P	LTR	DESCRIPTION	DATE	DWN	APVD
		A		DRAWING RELEASED PER ECR-11-017294	22AUG2011	JvdH	TdB



NOTES:

- 1 PLATING: 0,5µm MIN. TIN OVER NICKEL.
- 2 PLATING:

PARTNUMBER	PERFORMANCE LEVEL
2173043-1	PERFORMANCE LEVEL 1: CONNECTOR TESTED AND QUALIFIED AGAINST TELCORDIA GR-1217-CORE QUALITY LEVEL 111; UNCONTROLLED ENVIRONMENT APPLICATIONS. SEE PRODUCT SPEC 108-19353
2173043-2	PERFORMANCE LEVEL 2: CONFORMS TO ALL TESTING ACCORDING PRODUCT SPEC 108-19320, -250 MATING CYCLES, 4 DAYS MIXED GAS TEST PER IEC 60068-2-60 METHOD 1

- 3 CONSULT APPLICATION SPEC OR CONTACT TE CONNECTIVITY FOR PERMISSIBLE CONTACT ASSIGNMENTS.
- 4 CONNECTOR MARKED WITH PARTNUMBER AND DATE CODE.
- 5 FOR PC-BOARD ROUTING RECOMMENDATIONS SEE SPEC 114-19140

**PRODUCT HAS NOT COMPLETED QUALIFICATION TESTING**

THIS DRAWING IS A CONTROLLED DOCUMENT.

DIMENSIONS: mm	TOLERANCES UNLESS OTHERWISE SPECIFIED:	DWN: J.V.D. HEIJDEN 04 MAR 2011	CHK: B.MOOLJ 04 MAR 2011	APVD: I.D. BOER 07 MAR 2011
MATERIAL	FINISH	PRODUCT SPEC: SEE NOTE 2	APPLICATION SPEC: 114-19106	WEIGHT: -

3	OVERMOLD	LCP 30% GF NATURAL
2	HOUSING	LCP 30% GF NATURAL
1	CONTACT	COPPER ALLOY

**STE** TE Connectivity

NAME: MALE CONNECTOR Z-PACK Slim UHD

SIZE: A2	CAGE CODE: 00779	DRAWING NO: 2173043	RESTRICTED TO: -
CUSTOMER DRAWING			SCALE: 5:1 SHEET 1 OF 1 REV A