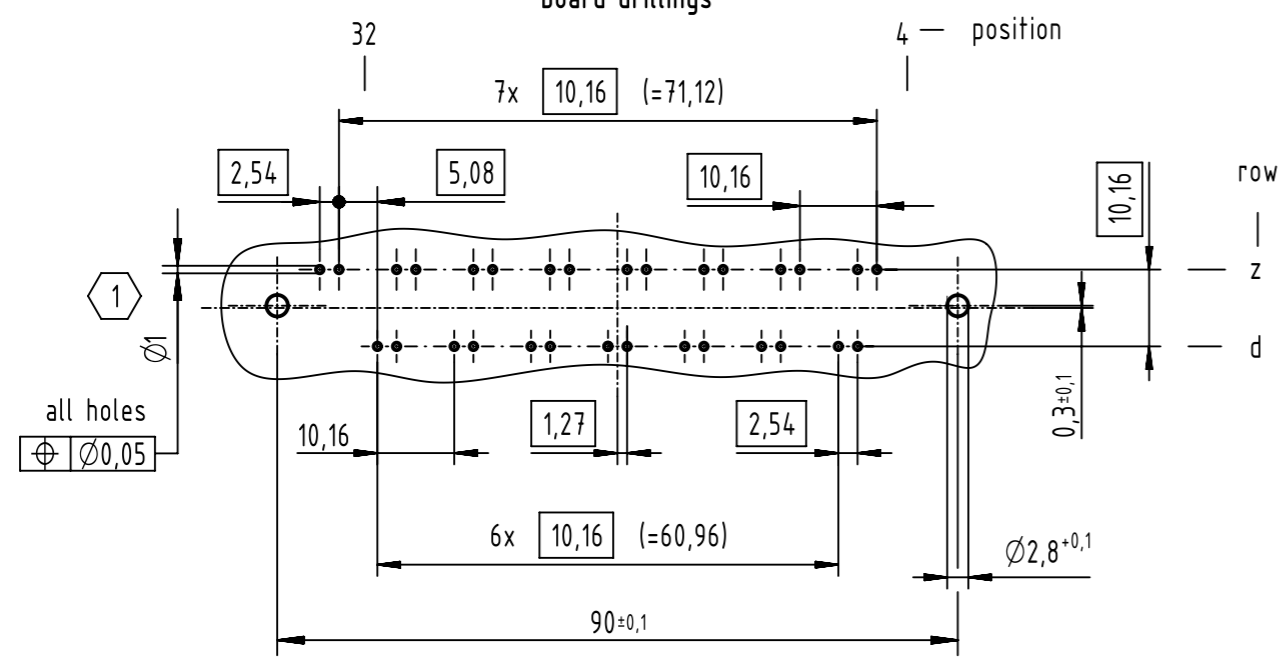
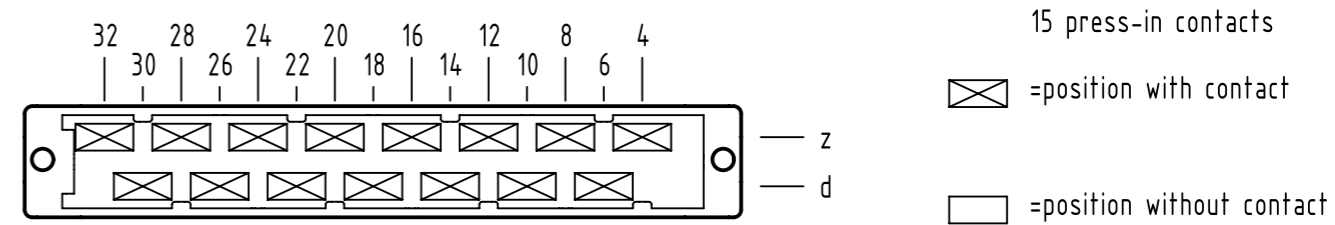


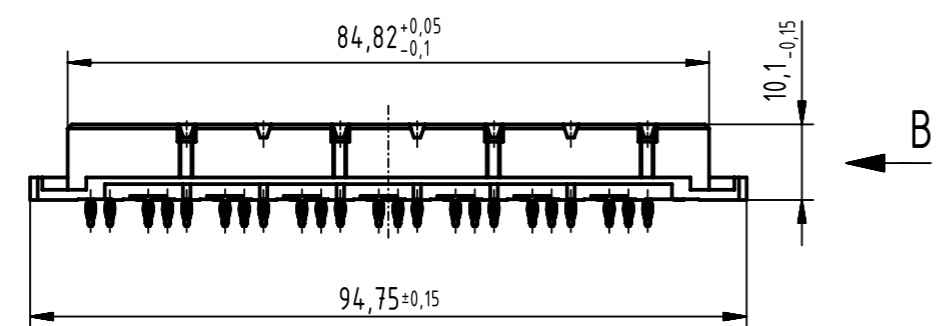
A
board drillings



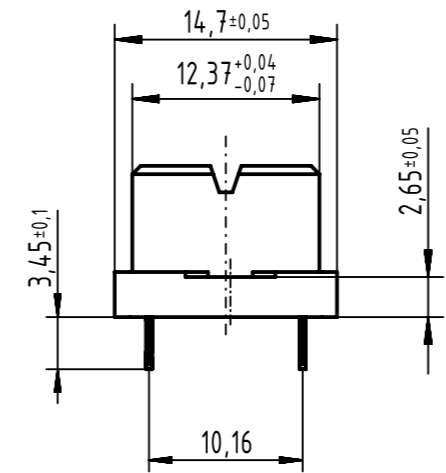
A
contact arrangement



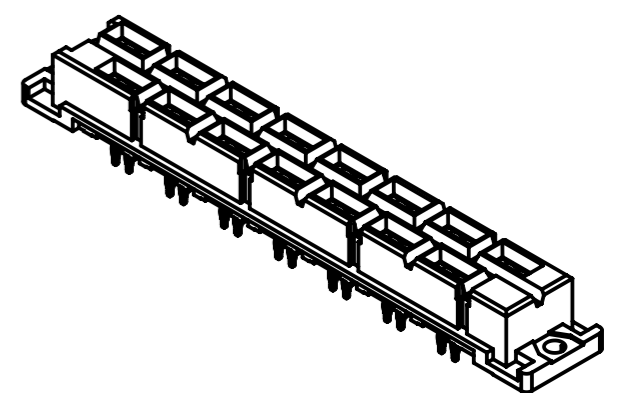
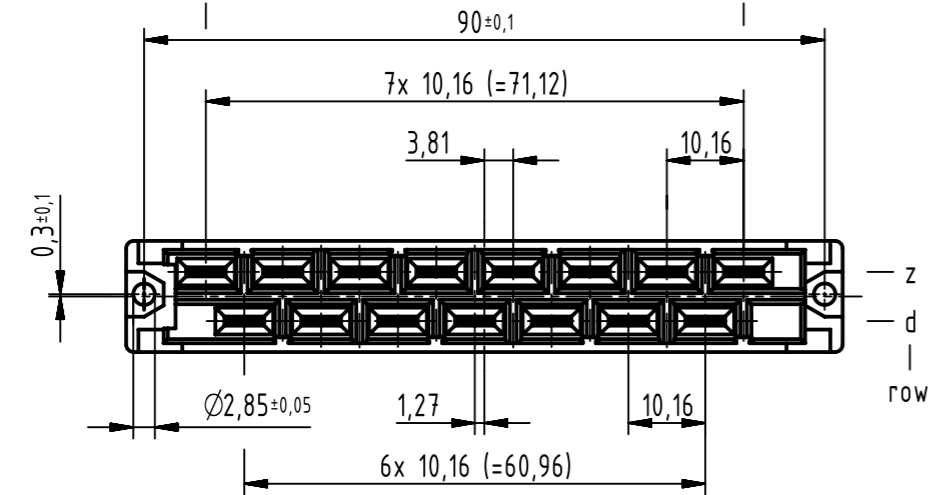
A



B (2:1)



A
4 - position



contact area plating Ag

recommended configuration of plated through holes and further information see: DS 09062100102

	All rights reserved Department EC PD - DE	Created by LEHNERT	Inspected by TADJE	Standardisation HOFFMANN	Date 2014-12-03	State Final Release
	Title DIN Power type H15 low-profile press-in 2.54					Doc-Key / ECM-Nr. 100225354/UGD/004/B 50000082520
HARTING Electronics GmbH D-32339 Espelkamp		Type TB	Number 09062152856		Rev. B	Page 1/1