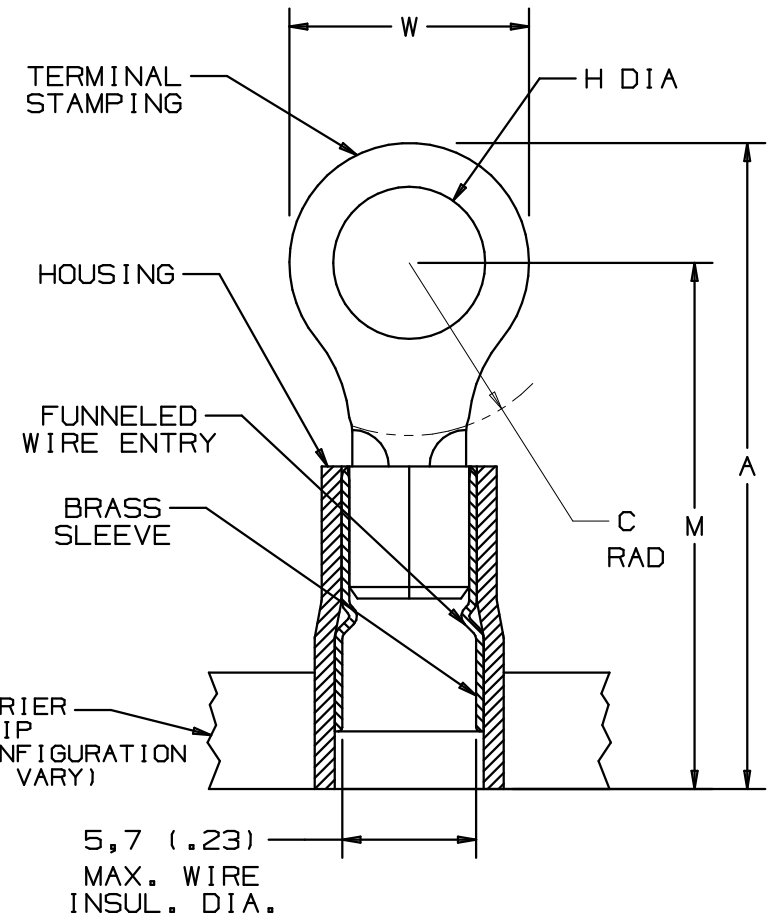


THIS COPY IS PROVIDED ON A RESTRICTED BASIS AND IS NOT TO BE USED IN ANY WAY DETRIMENTAL TO THE INTERESTS OF PANDUIT CORP.

| PART NUMBER | STUD SIZE | WIRE RANGE mm ² (AWG) | DIMENSIONS mm | | | | |
|--------------|-----------|--|----------------------|----------------------|----------------------|----------------------|----------------------|
| | | | A $\pm .80$ (.03) | W $\pm .25$ (.01) | C $\pm .38$ (.01) | M $\pm .50$ (.02) | H $\pm .50$ (.02) |
| PMNF6-3R-2K | M3 | 2,5-6,0 (12-10) | 24,7 (.97) | 5,8 (.23) | 7,9 (.31) | 21,7 (.86) | 3,3 (.13) |
| PMNF6-35R-2K | M3,5 | 2,5-6,0 (12-10) | 24,7 (.97) | 5,8 (.23) | 7,9 (.31) | 7,9 (.31) | 3,8 (.15) |
| PMNF6-4R-2K | M4 | 2,5-6,0 (12-10) | 25,7 (1.01) | 7,9 (.31) | 7,9 (.31) | 21,7 (.86) | 4,6 (.18) |
| PMNF6-5R-2K | M5 | 2,5-6,0 (12-10) | 26,4 (1.04) | 9,7 (.38) | 7,9 (.31) | 21,7 (.86) | 5,3 (.21) |
| PMNF6-6R-2K | M6 | 2,5-6,0 (12-10) | 29,0 (1.14) | 10,9 (.43) | 9,7 (.38) | 23,6 (.93) | 6,9 (.27) |
| PMNF6-8R-2K | M8 | 2,5-6,0 (12-10) | 30,0 (1.18) | 13,2 (.52) | 9,7 (.38) | 23,6 (.93) | 8,6 (.34) |

NOTES:

- USED FOR:
 - 600V MAX. BUILDING WIRE
1000V MAX. IN SIGNS, FIXTURES, AND LUMINAIRES
 - 105°C (221°F) MAX. TEMP. RATING OF INSUL. MAT'L.
 - SOLID OR STRANDED COPPER WIRE
- PACKAGE QTY:
2K = 2000 PCS. ON CONTINUOUSLY MOLDED CARRIER STRIP
- MATERIAL:
 - STAMPING: 1,02 (.04) THK. COPPER, TIN PLATED
 - SLEEVE: BRASS, TIN PLATED
 - HOUSING: TYPE 6/6 NYLON, YELLOW
- WIRE STRIP LENGTH: $8,7^{+8}_{-0}$ ($11/32^{+1/32}_{-0}$)
- DIMENSIONS IN BRACKETS ARE IN INCHES OR AWG
- UL LISTED AND CSA CERTIFIED WITH COPPER 12-10AWG WIRE ONLY



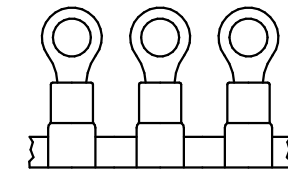
| | | PANDUIT PRESS | | | | | |
|-------------|----------|-------------------------------|-------------------------------|--------|--------|----------------|------------------|
| | | CP-851 <i>DISCONTINUED</i> | CP-860 <i>DISCONTINUED</i> | CP-861 | CP-862 | CP-871 60HZ | CP-871/E 50HZ |
| APPLICATORS | CA-800 | | X | X | | | |
| | CA-800EZ | X | | | | X | X |
| | CAS | | | | X | X | X |



LISTED
587H
E52164



CERTIFIED
LR31212



A41603_01

PANDUIT CORP.

TINLEY PARK, ILLINOIS

| | | | | | | | | | | | | | |
|-----|------|-----|-----|---|---------|------|-----|----------|-------|-------|------|-------------|--------|
| 01 | 3/06 | DAW | DAW | ADDED PMNF6-35R-2K AND PANDUIT PRESS AND APPLICATOR CHART | TR00083 | | | | | | | | |
| 00 | 9/97 | TM | | RELEASED | 6191 | LCA | DBH | | | | | | |
| REV | DATE | BY | CHK | DESCRIPTION | ECN # | CUST | PM | DRAWN BY | CHK'D | SCALE | NONE | DRAWING NO. | A41603 |

2,0-6,0 mm² METRIC CONTINUOUSLY MOLDED, NYLON INSULATED, FUNNEL ENTRY RING TERMINAL