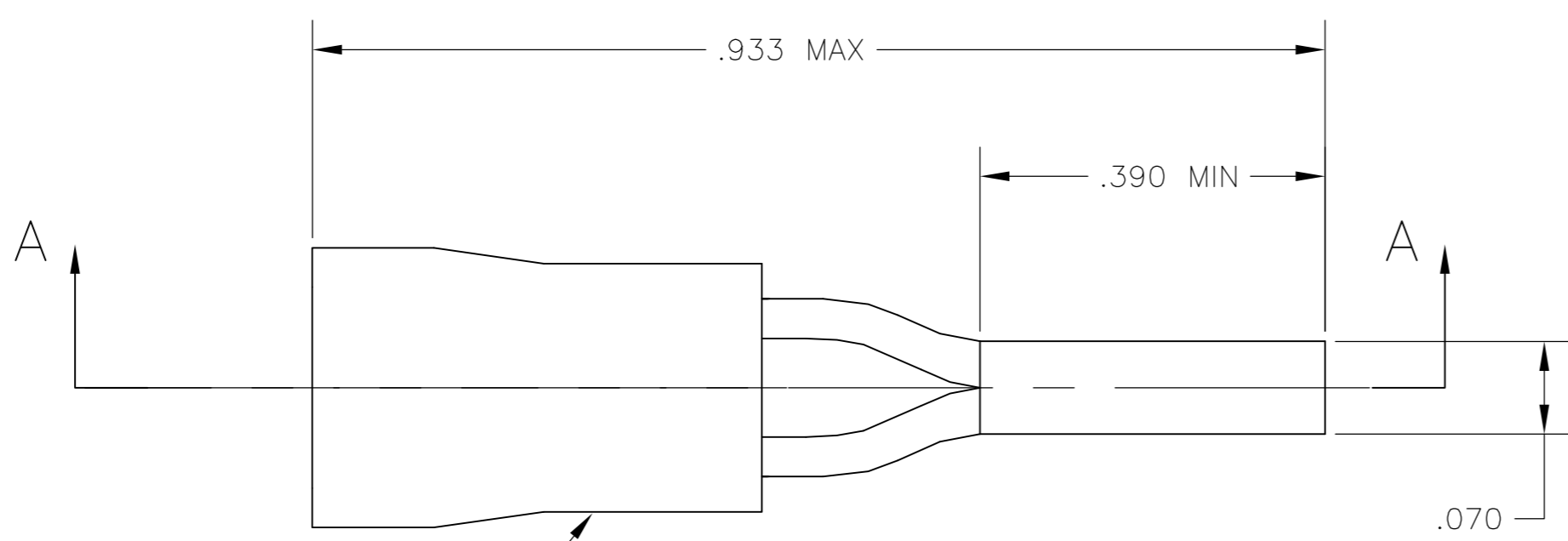


THIS DRAWING IS UNPUBLISHED. RELEASED FOR PUBLICATION
 © COPYRIGHT - By - ALL RIGHTS RESERVED.

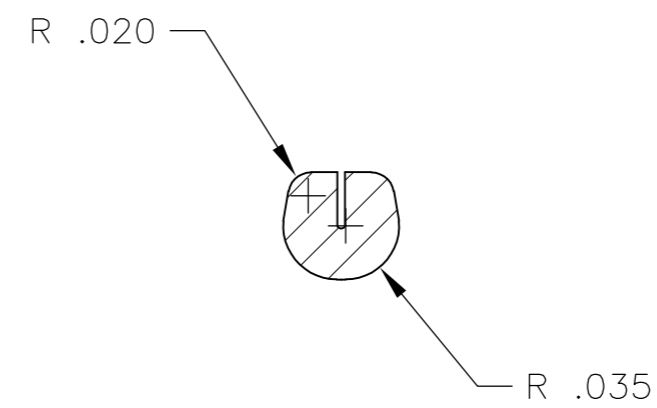
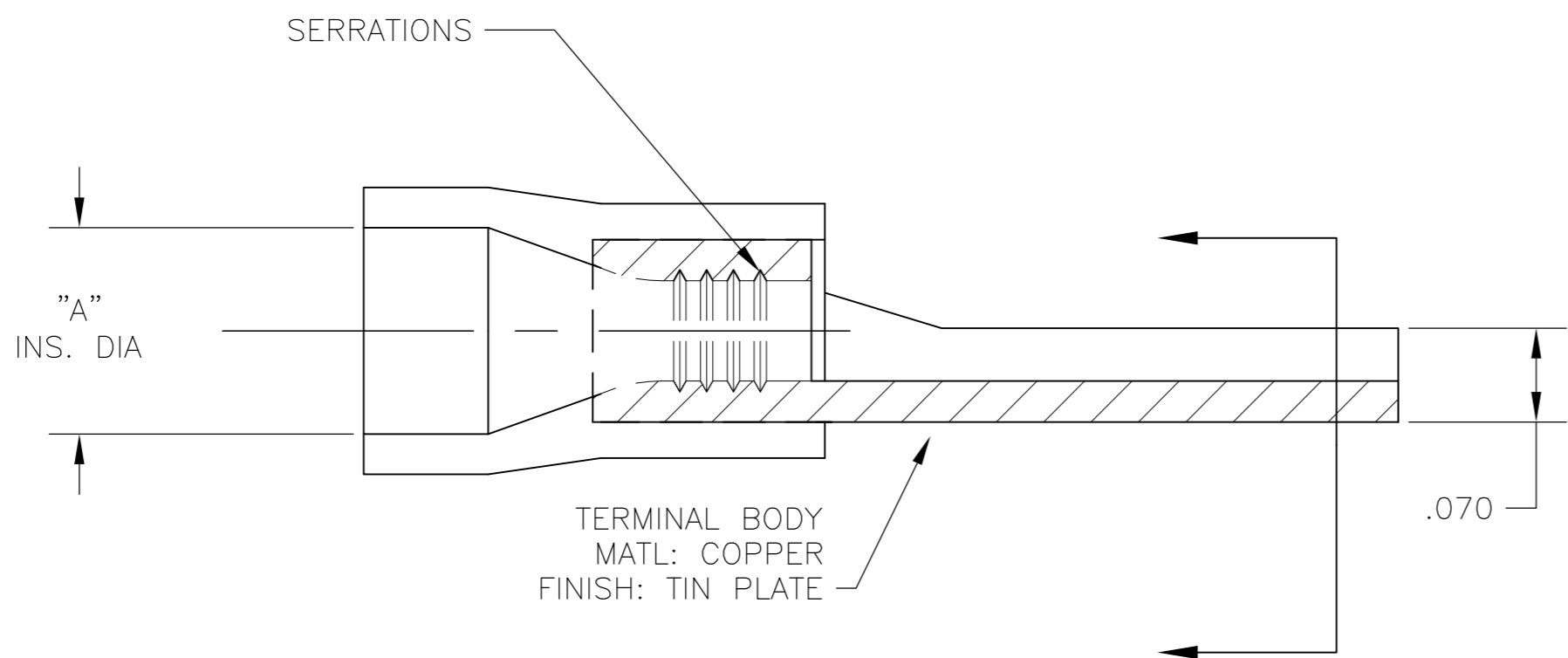
LOC	DIST	REVISIONS			
P	LTR	DESCRIPTION	DATE	DWN	APVD
G	14				
	G1	REVISED PER ECO-12-006584	09APR12	KH	DR



INSULATION SLEEVE
 MATERIAL: PVC
 COLOR: BLUE

- 1 WIRE SIZE IS #16-#14 AWG
- 2 SUPERSEDED BY 165171
- 3 OBSOLETE - NO REPLACEMENT

.115-.170	---	165171-1	2
.115-.190	2-165171-0	165171	3
INSUL DIA RANGE. "A"	P/N ON TAPE	PART NO.	



SECTION A-A

165171
 PART NO

THIS DRAWING IS A CONTROLLED DOCUMENT.		DWN jr ruth 31MAY07	STE TE Connectivity	
DIMENSIONS: INCHES		CHK T MICHIELUTTI 31MAY07		
TOLERANCES UNLESS OTHERWISE SPECIFIED:		APVD T MICHIELUTTI 31MAY07	NAME	
0 PLC ± -		PRODUCT SPEC		
1 PLC ± -		APPLICATION SPEC		
2 PLC ± -		SIZE CAGE CODE DRAWING NO RESTRICTED TO		
3 PLC ± .010		A2 00779 C-165171		
4 PLC ± -		SCALE 8:1 SHEET 1 of 1 REV G1		
ANGLES ± 1°		CUSTOMER DRAWING		
FINISH				