



Copyright FCI.

A

B

C

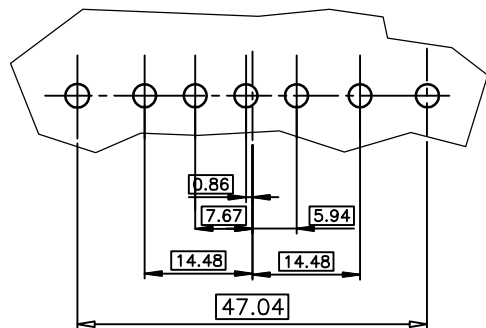
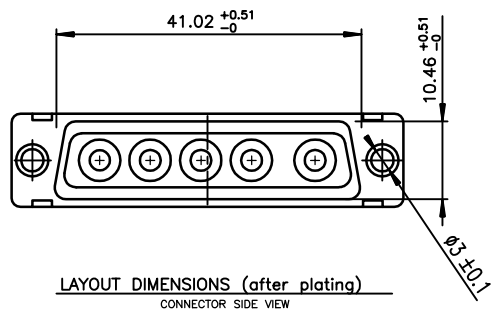
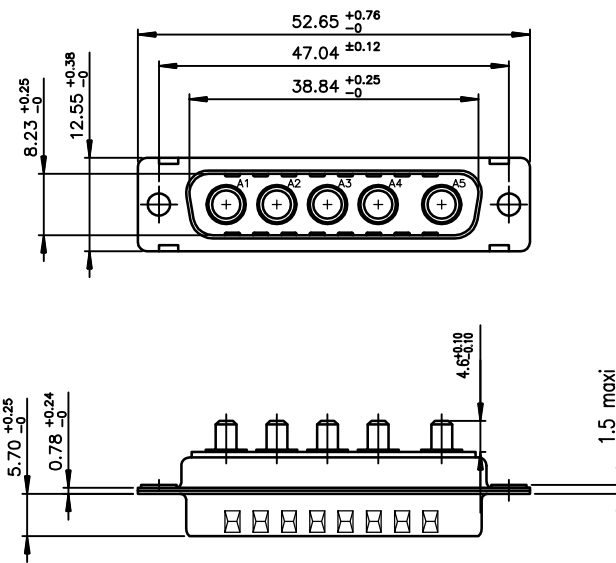
D

A

B

C

D



DB5W5P300A40LF
DB5W5P343A40LF
PART NUMBER

GENERAL CHARACTERISTICS AND ROHS INFORMATIONS:
SEE DRAWING C01-8639-0001

European Views

www.fciconnect.com		surface ISO 1302	tolerance std ISO 406 ISO 1101	projection mm	size A3	Scale 1.5
Dr PESSION 2005/11/22		TOLERANCES UNLESS OTHERWISE SPECIFIED		ECN F11-0049		
Eng PESSION 2005/11/22	Chr LEGARE 2005/11/22	ANGULAR	LINEAR	0.X ±0.1	0.XX ±0.1	0.XXX ±0.1
Appr LEGARE 2005/11/22	Product family		D-SUB	Spec ref -		
FCI		title MALE CONNECTOR 5W5 WITHOUT ACCESSORIES		dwg no C01-8639-2292		Rev. D
catalog no		-		CUSTOMER sheet 1 of 1		

rev	ecn no	dr	date
A	LS05-0106	MPE	2005/11/22
B	LS06-095	LGO	2006/06/21
C	LS07-0253	MPE	2007/10/09
D	F11-0049	APA	2011/04/12
-	-	-	-
-	-	-	-

REV F - 2008-04-17