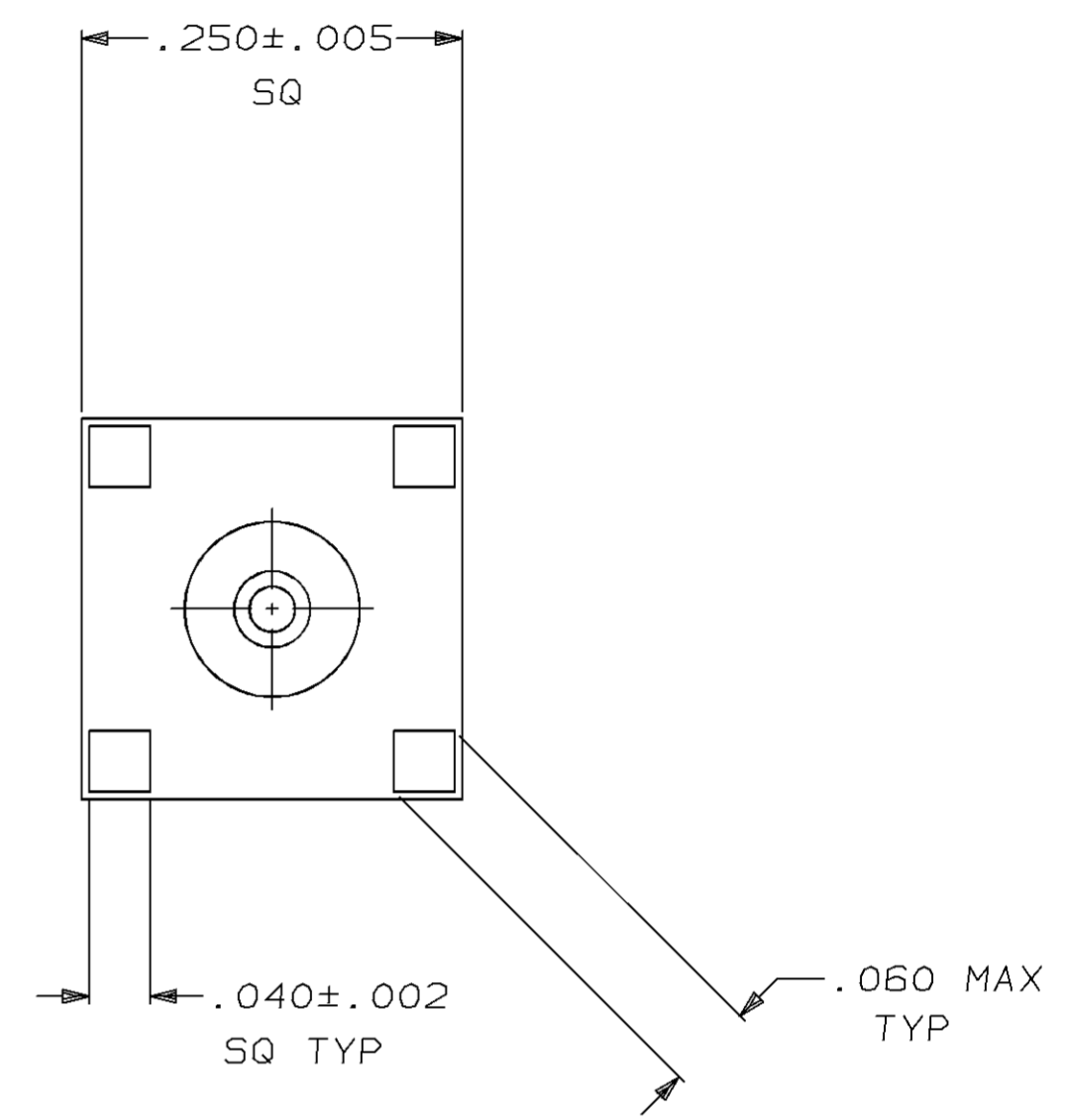
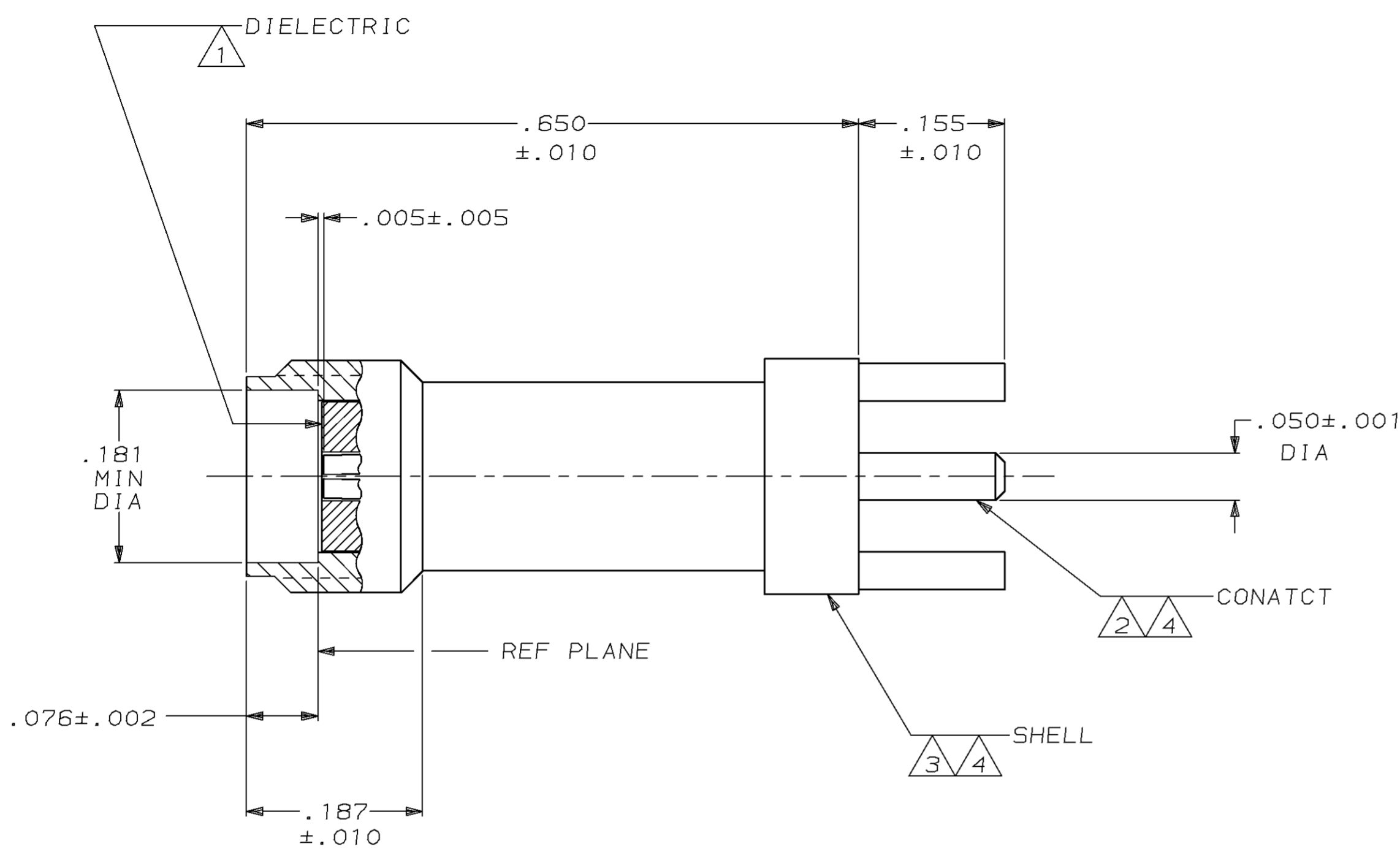
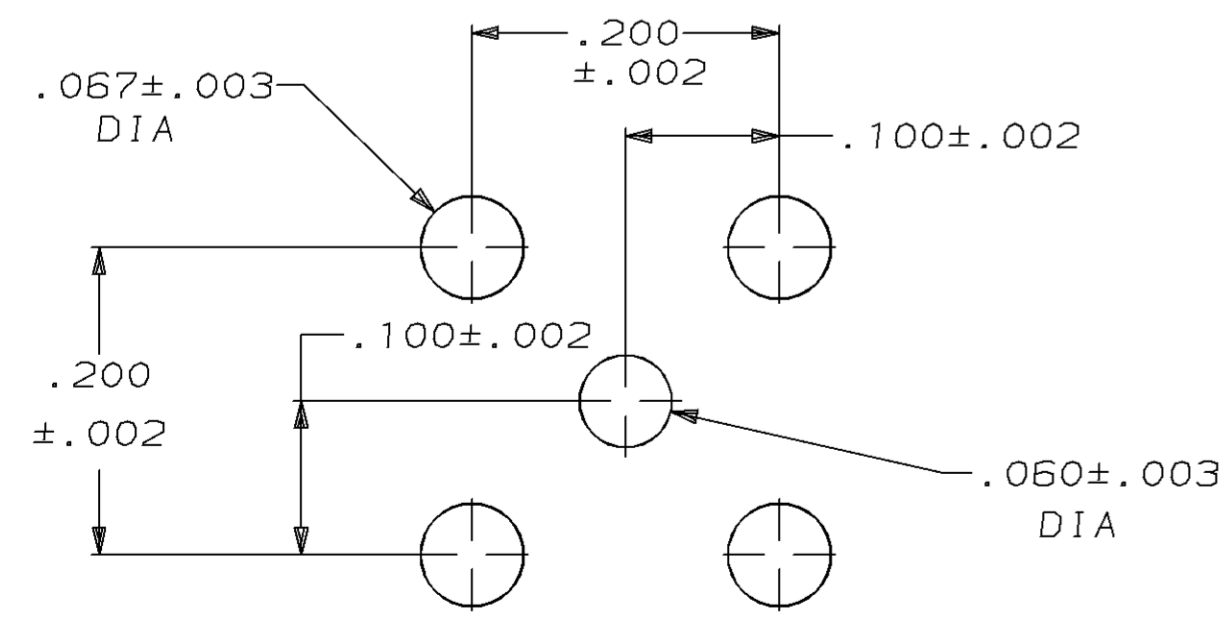


LOC	DIST	P	F	ZONE	LTR	DESCRIPTION	DATE	APPD
DF	X0				0	RELEASED - NPR 0600-2189-94	6-3-94	TKB LL



- 1 PTFE PER ASTM-D-1710
- 2 BERYLLIUM COPPER PER ASTM-B-196 & -197
- 3 BRASS PER ASTM-B-16
- 4 GOLD PL PER MIL-G-45204



PCB CONFIGURATION

449785-1
PART NUMBER

DO NOT SCALE PRINT. UNLESS SPECIFIED DIMENSIONS IN INCHES TOLERANCES ON:		DR R.L. FISHER, JR. 4/11/94		AMP Incorporated Harrisburg, PA 17105-3608	
2 PLC DEC ± -		CHK T.K. BLACK 6-3-94			
3 PLC DEC ± -		APPD LANG T. LE 6-3-94		NAME	
ANGLES ± -		APPD LANG T. LE 6-3-94		JACK, VERTICAL, PCB, SERIES SMA	
MATERIAL		PRODUCT SPEC		SIZE	
1 2 3		-		C 00779	
FINISH		APPLICATION SPEC		DRAWING NO	
4		-		449785	
		WEIGHT -		SCALE 8:1	
				SHEET 1 OF 1	