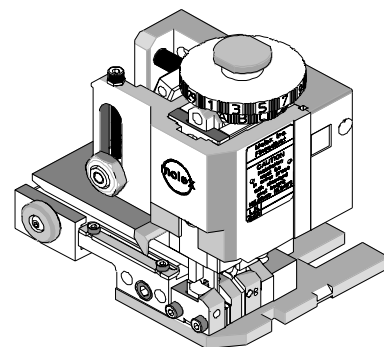




FineAdjust Applicator Specification Sheet Part No. 63860-2000



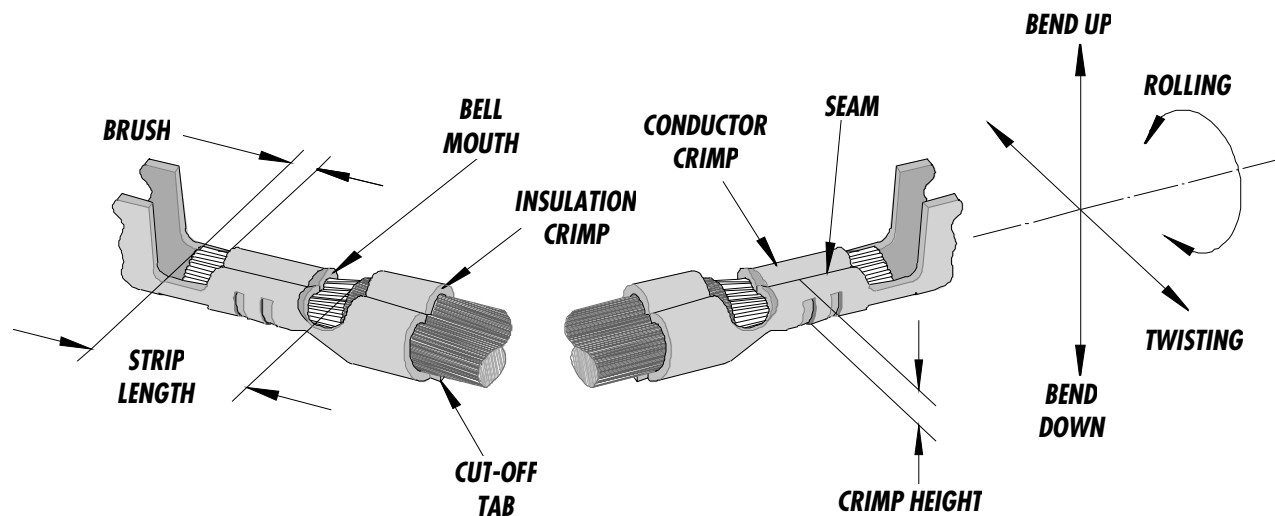
FEATURES

- Quick punch removal with the push of a button for fast and easy tooling change
- Applicator designed to industry standard mounting and shut height 135.80mm (5.346")
- Quick set-up time; plus the crimp height, track and feed adjustments can be set without removing the applicator from the press
- Fine adjustment allows users to achieve target with little effort by adjusting in increments of 0.15mm (.0006") for conductor crimp height and .063mm (.0025") for insulation height
Independent adjustment rings allow users to quickly adjust the conductor or insulation crimp height without affecting each other
Directly adapts to most automatic wire processing machines

SCOPE

Terminal Series No.	Wire Size		Insulation Diameter		Strip Length	
	AWG	mm ²	mm	In.	mm	In.
70058-00**	24-30	0.20-0.05	1.01-1.52	.040-.060	3.17-3.56	.125-.140
71851-000*	24-30	0.20-0.05	1.01-1.52	.040-.060	3.17-3.56	.125-.140

DEFINITION OF TERMS



The above terminal drawing is a generic terminal representation. It is not an image of a terminal listed in the scope.

CRIMP SPECIFICATION

Terminal Series No.	Bell mouth		Cut-off Tab Max.				Conductor Brush	
			Front		Rear			
	mm	In.	mm	In.	mm	In.	mm	In.
70058-00**	0.20-0.50	.008-.020	0.13	.005	.08	.003	0.00-1.00	.000-.039
71851-000*	0.20-0.50	.008-.020	0.13	.005	.08	.003	0.00-1.00	.000-.039

Terminal Series No.	Bend up	Bend down	Twist	Roll	Punch Width mm (Ref)				Seam Seam shall not be open and no wire allowed out of the crimping area
	Degree		Degree		Conductor		Insulation		
	mm	In	mm	In	mm	In	mm	In	
70058-00**	3	3	3	8	1.00	.039	1.60	.063	
71851-000*	3	3	3	8	1.00	.039	1.60	.063	

After crimping, the conductor profile should measure the following.

Terminal Series No.	Wire Size		Crimp Height		Pull Force Min.	
	AWG	mm ²	mm	In.	N	Lb.
70058-00**	24	0.20	0.79-0.84	.031-.033	22.2	5.0
70058-00**	26	0.12	0.74-0.79	.029-.031	13.3	3.0
70058-00**	28	0.08	0.71-0.76	.028-.030	8.9	2.0
70058-00**	30	0.05	0.66-0.71	.026-.028	6.7	1.5
71851-000*	24	0.20	0.79-0.84	.031-.033	22.2	5.0
71851-000*	26	0.12	0.74-0.79	.029-.031	13.3	3.0
71851-000*	28	0.08	0.71-0.76	.028-.030	8.9	2.0
71851-000*	30	0.05	0.66-0.71	.026-.028	6.7	1.5

Pull Force should be measured with no influence from the insulation crimp.

The above specifications are guidelines to an optimum crimp.

PARTS LIST

Item	Order No	Engineering No.	Description	Quantity
	63860-2000	63860-2000	FineAdjust Applicator (Fig. 1)	REF
1	63444-1018	63444-1018	Conductor Punch	1 Y
2	63445-1031	63445-1031	Conductor Anvil	1 Y
3	63446-1622	63446-1622	Insulation Punch	1 Y
4	63445-1630	63445-1630	Insulation Anvil	1 Y
5	63443-0003	63443-0003	Cut-Off Plunger	2 Y
6	63443-0012	63443-0012	Front Plunger Retainer	1 Y
7	63443-1402	63443-1402	Cut-off Die Blade	1 Y
8	63443-1002	63443-1002	Rear Plunger Retainer	1 Y
9	11-24-1067	4996-4	Cut-Off Plunger Spring	2
10	11-40-4039	8302-5	Front Plunger Striker	1
11	63443-0021	63443-0021	Lower Tooling Key	1
12	63443-6003	63443-6003	Rear Cover	1
13	11-18-4094	60709A111	Front Cover	1
14	11-18-4020	60704-8	Wire Stop	1
15	63800-4900	63800-4900	FineAdjust Applicator	1
16	63443-3060	63443-3060	Rear Plunger Striker	1
17	63443-2102	63443-2102	Front Spacer	1
18	63443-2103	63443-2103	Rear Spacer	1
19	11-24-1149	4996-37	Shank	1
20	11-40-4274	8331-8	Hold Down Blade	1
21	11-17-0022	1739-21	Hold Down Spring	1
22	63860-2015	63860-2015	*Drag Frame (Modified)	1
23	N/A	N/A	M3 by 6Lg. SHCS	2**
24	N/A	N/A	M4 by 10Lg. SHCS	2**
25	N/A	N/A	M4 by 12Lg. BHCS	2**
26	N/A	N/A	M4 by 35Lg. SHCS	1**
27	N/A	N/A	M4 by 50Lg. SHCS	1**
28	N/A	N/A	M5 by 12Lg. SHCS	1**
29	N/A	N/A	#5-40 by 3/8"Lg. SHCS	1**
30	N/A	N/A	1/8 " Tubular by 0.24" Lg. Rivet Pin	1**
31	N/A	N/A	#10-32 by 1/4"Lg. BHCS	1**
	63860-2070	63860-2070	Tool Kit (All Y Items)	REF

* Frame part – To be modified

** The following purchased parts are available from an Industrial supply company such as MSC (1-800-645-7270).

Assembly Drawing

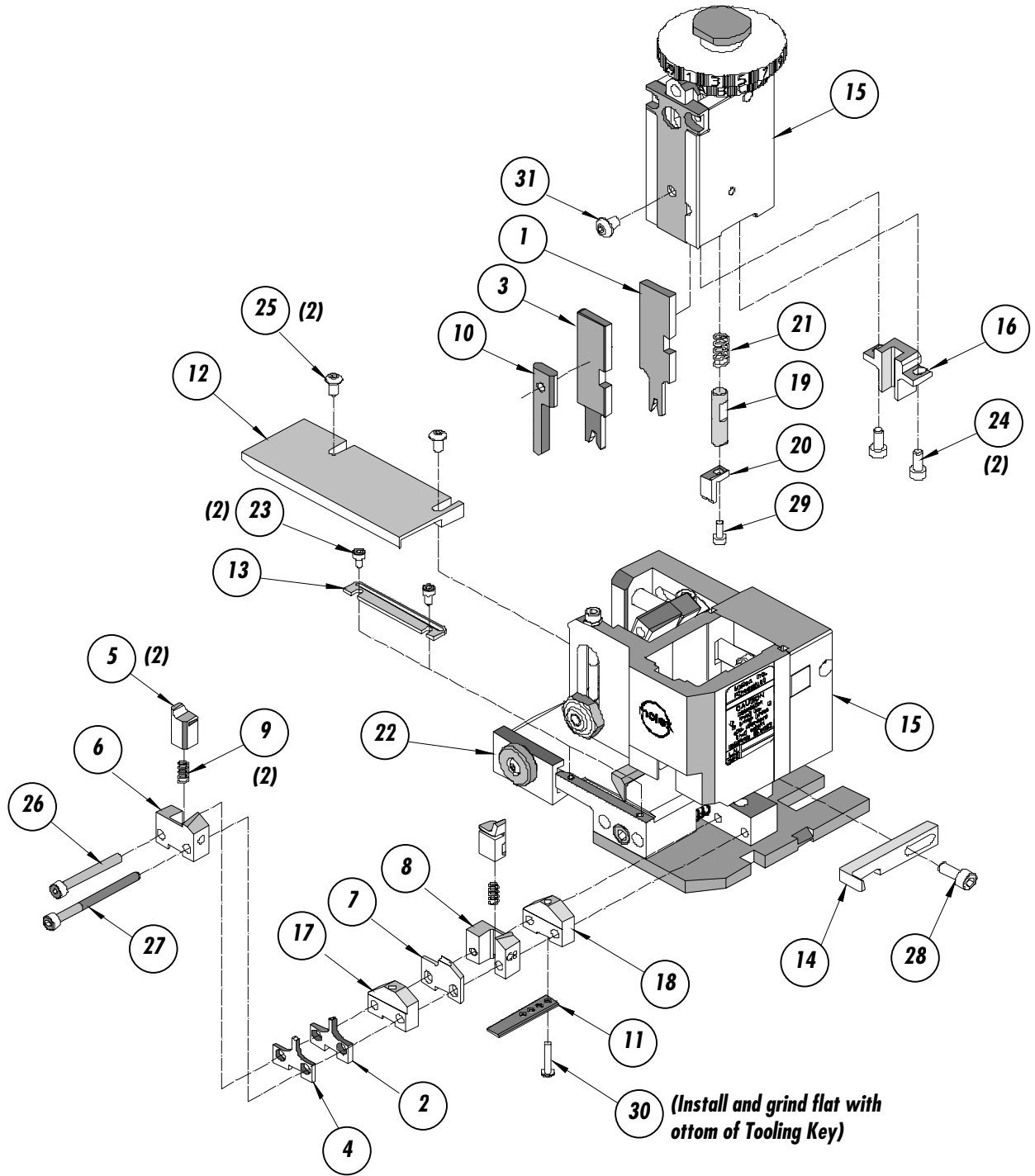


Figure 1

NOTES

1. Molex recommends an extra perishable tooling kit be maintained at your facility.
2. Verify tooling alignment by manually cycling the press and Applicator before crimping under power. Check that all screws are tight.
3. Slugs, Terminals, Dirt and Oil should be kept clear of work area.
4. Wear safety glasses at all times.
5. For recommended maintenance refer to the FineAdjust Manual.

CAUTION: This applicator should only be used in a press with a shut height of 135.8 mm (5.346"). Tooling damage could result at a lower setting.

CAUTION: To prevent injury never operate this Applicator without the guards supplied with the press or wire-processing machine in place. Reference the press or wire processing manufacturer's instruction manual.

CAUTION: Molex crimp specifications are valid only when used with Molex terminals, applicators and tooling.

Molex Application Tooling Group
1150 E. Diehl Road
Naperville, IL 60563
Tel: (630) 969-4550
Fax: (630) 505-0049

Visit our Web site at <http://www.molex.com>