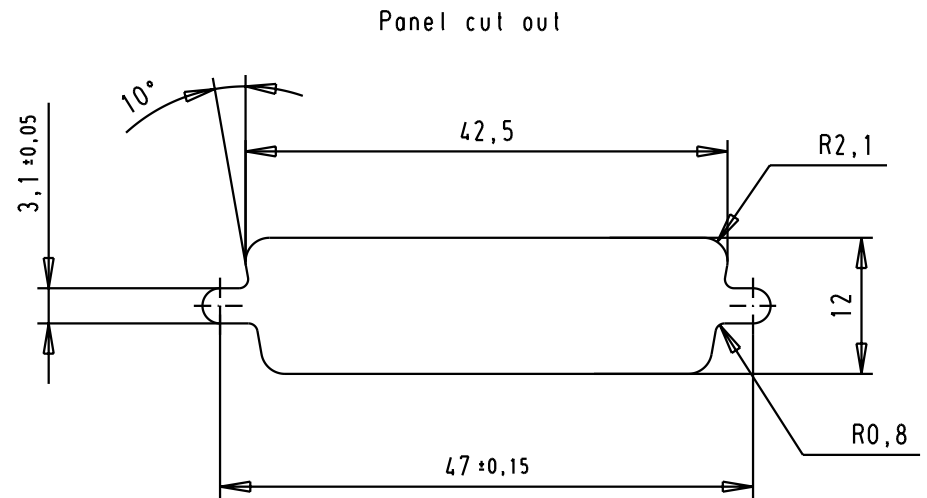
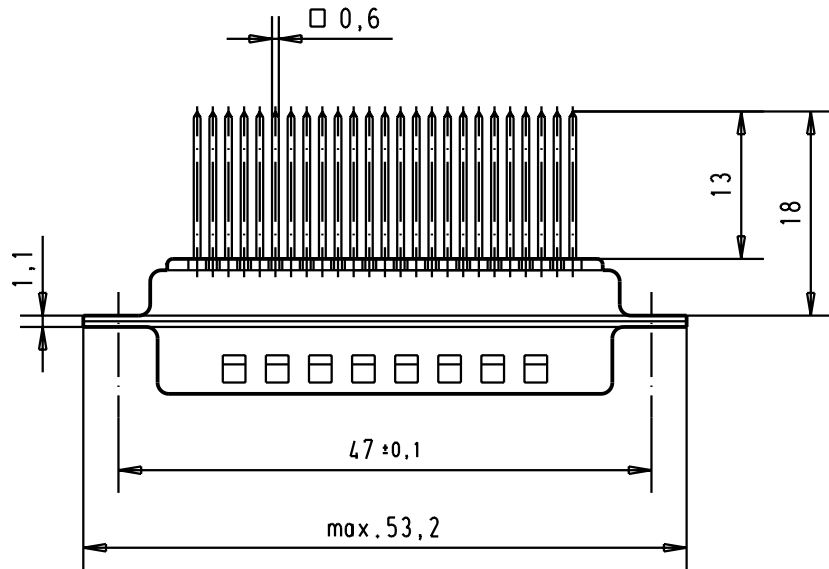
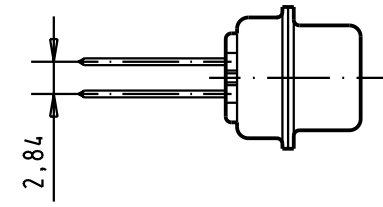
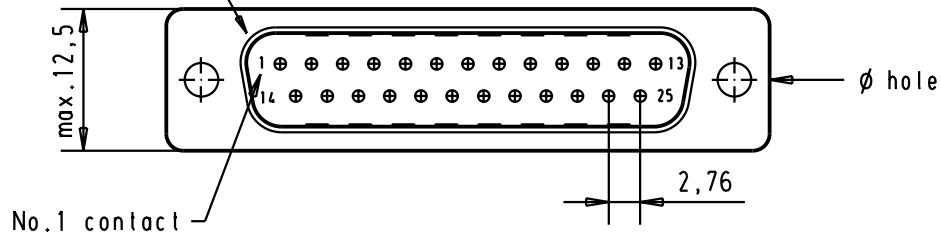
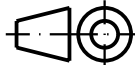



5 4 3 2 1

Mating face according to : MIL-C-24308 / DIN 41652 / CECC 75301-802



A						Detail.	Dat.	Name	 All Dim. in mm Orig. Size DIN A 4	D-Sub, Male, 25 Poles wrap posts	Maßstab/ Scale 1.5:1
						Insp.					
						Stand.					
	09 67 025 5616	3.1 + 0.1	2						HARTING EURL F-95972 Paris 	TB 096702556xx	Blatt/ Page 2
	09 67 025 5607	3.1 + 0.1	3								
Part number	ϕ hole	Performance level	Mod.	Dat.	Name						