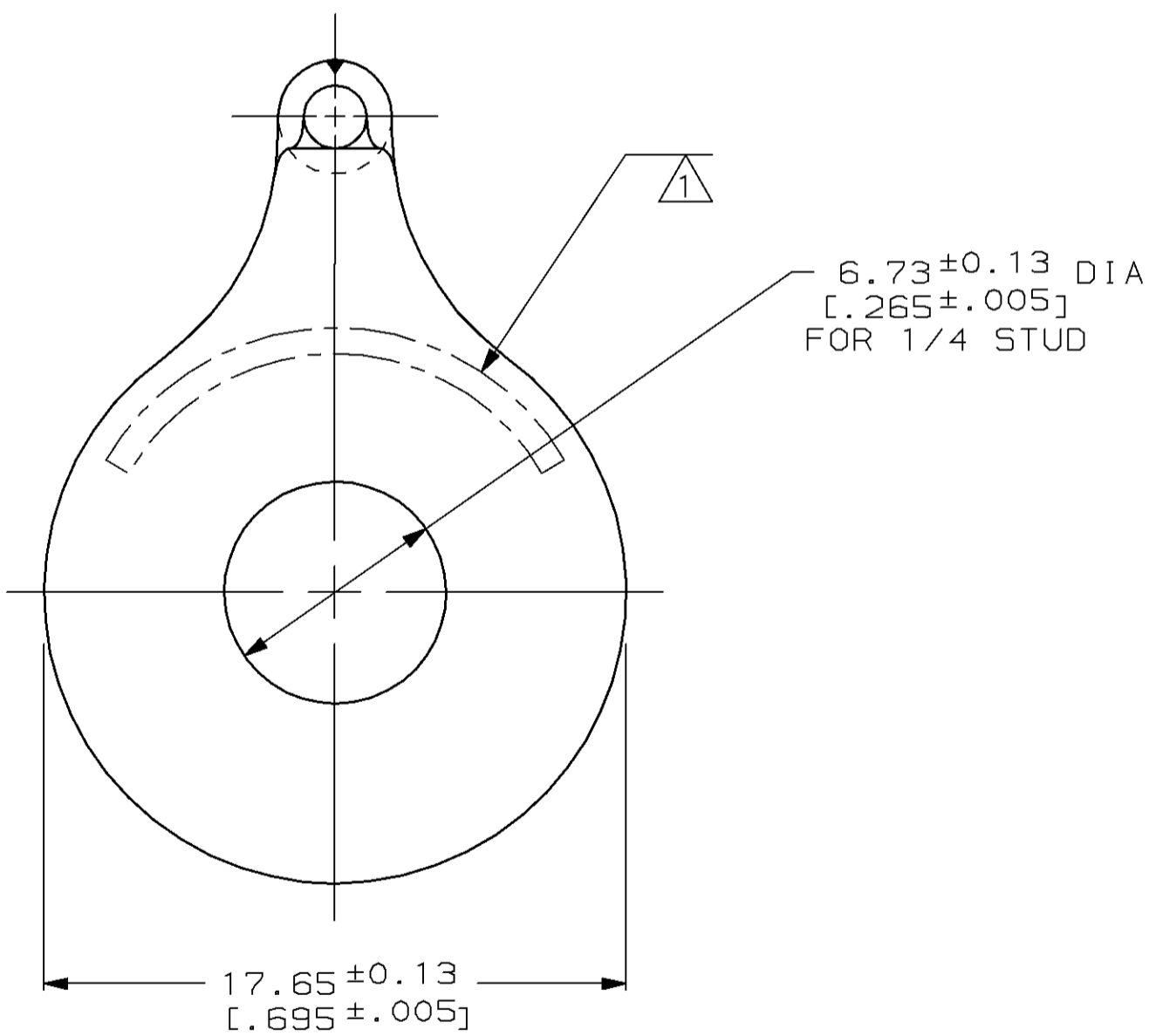
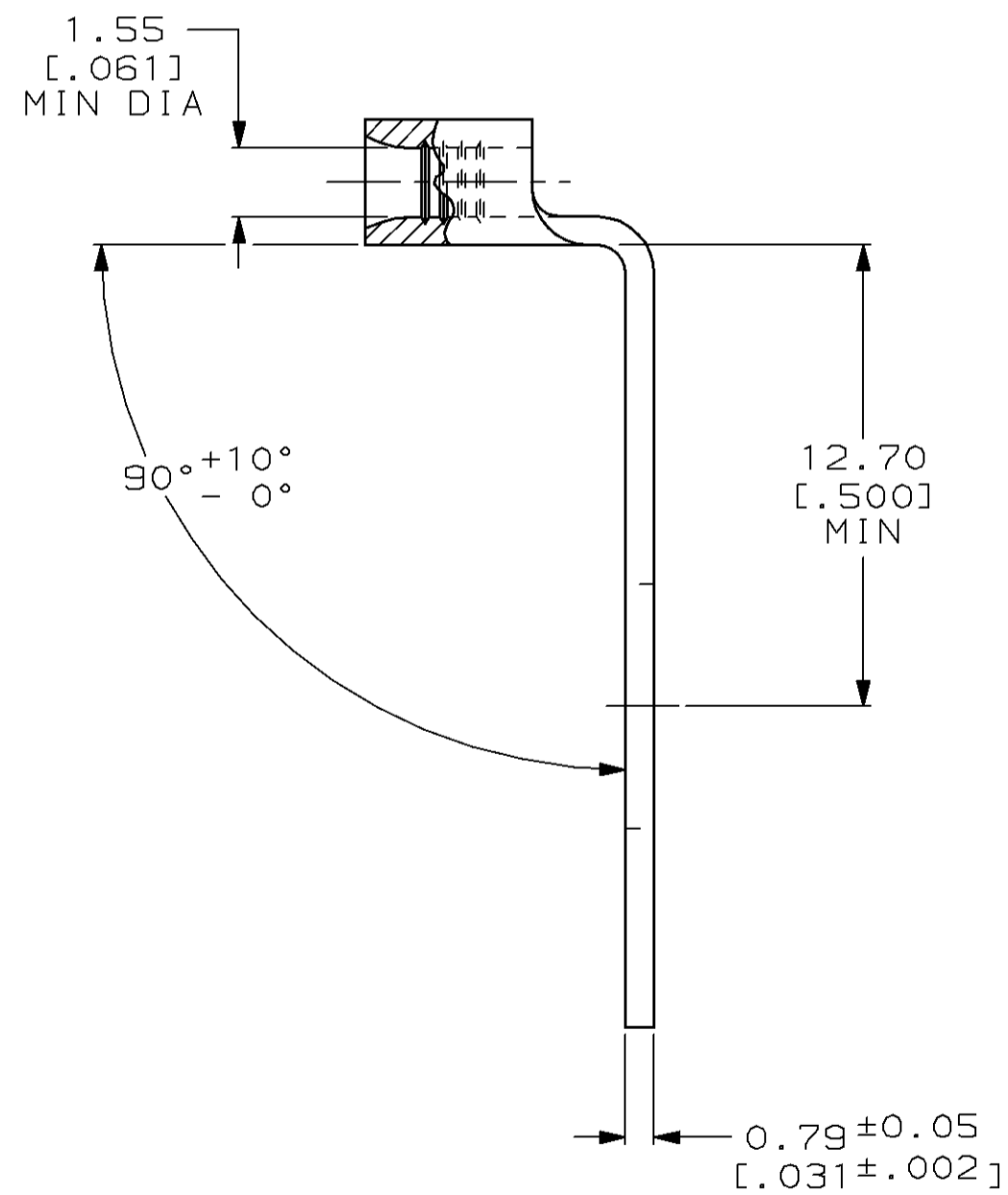
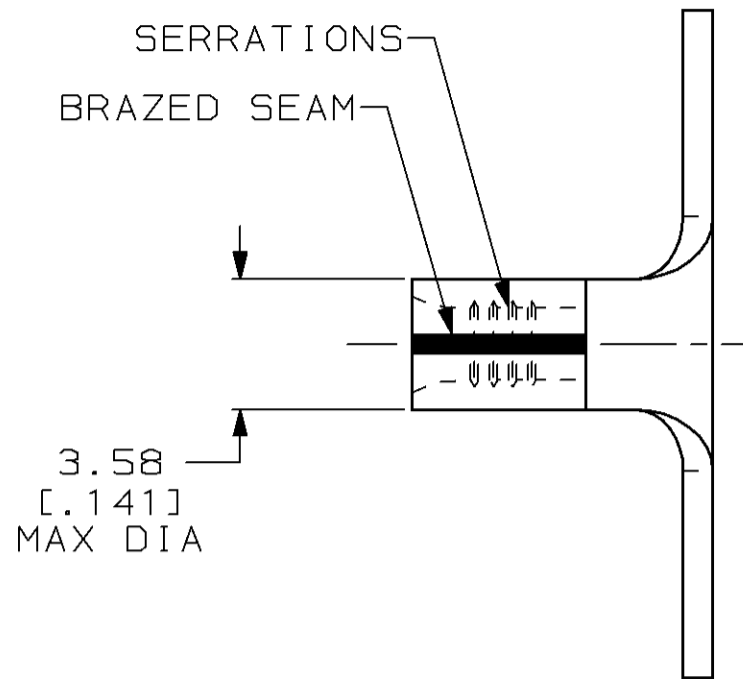


THIS DRAWING IS UNPUBLISHED. RELEASED FOR PUBLICATION
 BY AMP INCORPORATED. ALL RIGHTS RESERVED.

LOC	DIST	REVISIONS					
		P	LTR	DESCRIPTION	DATE	DWN	APVD
G	14	F		REV / 0G10-0178-98	15JAN99	MLE	MHB



⚠ STAMP AMP 22-18* APPROX AS SHOWN
 22-16 TERMINALS ARE STAMPED 22-18 IN
 ACCORDANCE WITH MILITARY SPEC MIL-T-7928
 COMMERCIAL WIRE RANGE IS 22-16

AMP WIRE RANGE	UL E13288 Listed
22-16 AWG SOLID OR STRANDED	NOT LISTED
SR LR7189 Certified	MILITARY P/N AND CLASS
NOT CERTIFIED	NOT APPLICABLE

328965
AMP
PART NUMBER

AMP INCORPORATED
CUSTOMER SERVICE SYSTEMS

RECOMMENDED OPERATING TEMPERATURE:
170°C MAX

FOR ADDITIONAL PRODUCT INFORMATION OR COPIES OF DRAWINGS AND TECHNICAL DOCUMENTS

PRODUCT INFORMATION CENTER
1-800-522-6752

VOLTAGE RATING:
NOT APPLICABLE

FOR APPLICATION TOOLING INFORMATION

TOOLING ASSISTANCE CENTER
1-800-722-1111

WIRE CROSS SECTIONAL AREA RANGE:
0.26-1.65mm² [509-3,260] CIR MILS
SOLID OR STRANDED

FOR ORDER ENTRY

1-800-526-5142

<small>THIS DRAWING IS A CONTROLLED DOCUMENT FOR AMP INCORPORATED. IT IS SUBJECT TO CHANGE AND THE CONTROLLING ENGINEERING ORGANIZATION SHOULD BE CONTACTED FOR THE LATEST REVISION.</small>		DWN DK SCHRUM 20FEB98
<small>TOLERANCES UNLESS OTHERWISE SPECIFIED:</small>		CHK MH BRENNEMAN 20FEB98
DIMENSIONS: mm [INCHES]	0 PLC ±- 1 PLC ±- 2 PLC ±0.20 [.008] 3 PLC ±- 4 PLC ±- ANGLES ±-	APVD TJ MICHELUTTI 20FEB98
MATERIAL COPPER PER ASTM B-152 ANNEALED	FINISH TIN PLATE 0.00254 [.00100] MIN THK PER ASTM B-545	NAME TJ MICHELUTTI
CUSTOMER DRAWING		PRODUCT SPEC - APPLICATION SPEC - WEIGHT -

AMP AMP Incorporated Harrisburg, PA 17105-3608		
TERMINAL, BENT 90°, RING TONGUE, SOLISTRAND™		
SIZE A2	CAGE CODE 00779	DRAWING NO C-328965
SCALE 5:1	SHEET 1 OF 1	REV F