

Aug.1.2018 Copyright 2018 HIROSE ELECTRIC CO., LTD. All Rights Reserved.  
 In case that the application demands a high level of reliability, such as automotive,  
 please contact a company representative for further information.

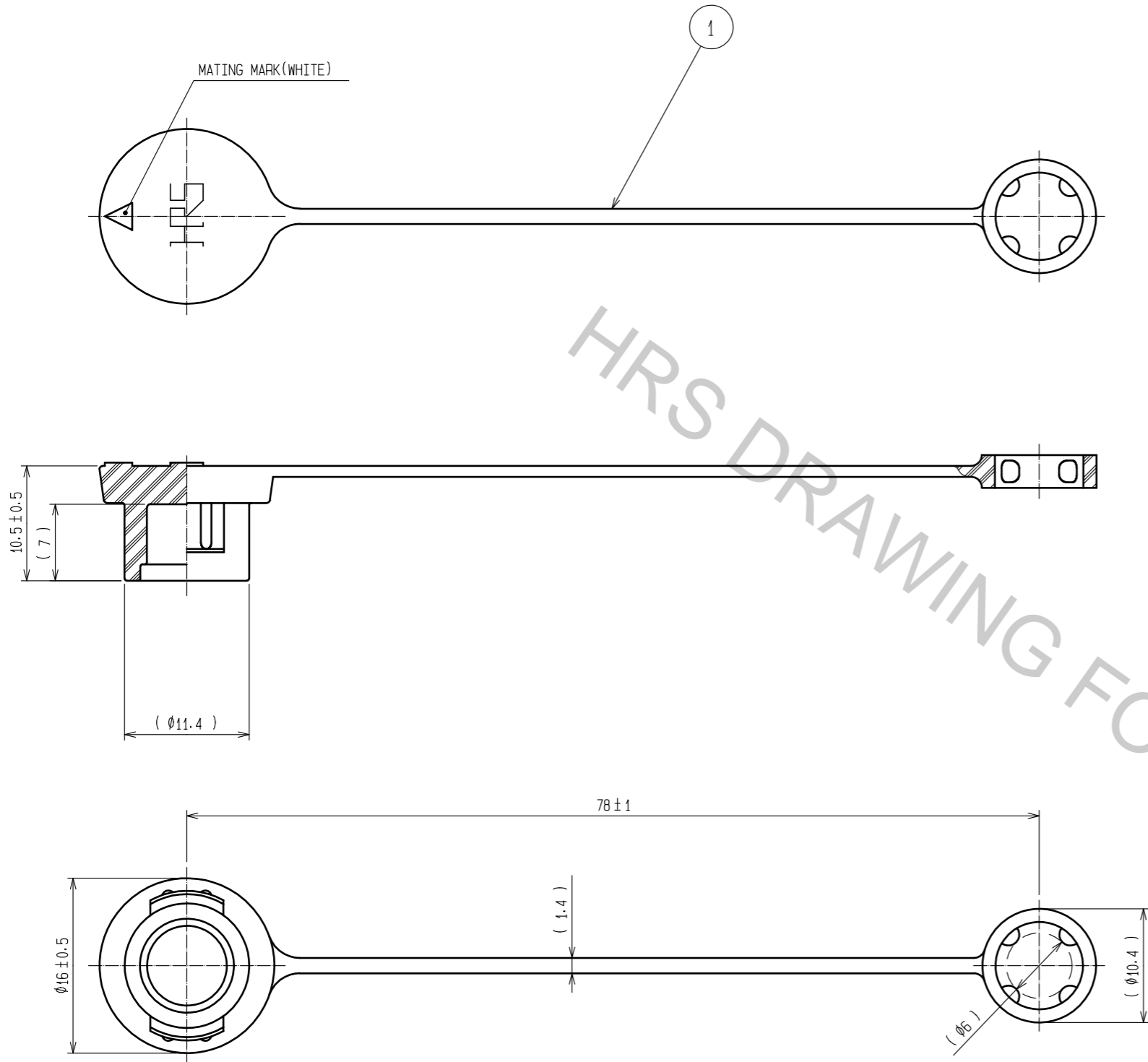
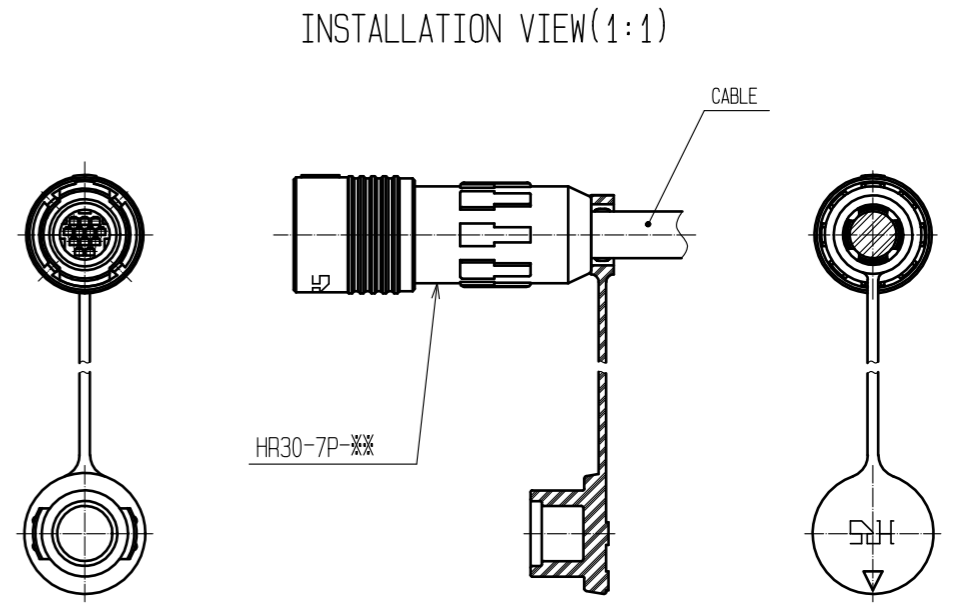


DIAGRAM AFTER ASSEMBLING



NOTES 1 THIS PART TO BE USED AS ASSEMBLED COMPONENT IN THE DIAGRAM AFTER ASEMBLING.  
 2 THIS PRODUCT IS A CAP FOR HR30-7P-\*(\*)  
 IT IS APPLICABLE REGARDLESS OF GIVEN ALPHABETS OR NUMBERS SHOWN AT \*.

1	CHLOROPRENE RUBBER	BLACK					
NO.	MATERIAL	FINISH . REMARKS	NO.	MATERIAL	FINISH . REMARKS		
UNITS		SCALE	COUNT	DESCRIPTION OF REVISIONS		DESIGNED	CHECKED
mm		2 : 1					
<b>HRS</b> HIROSE ELECTRIC CO., LTD.		APPROVED : HY. KOBAYASHI	18.02.26	DRAWING NO.		EDC-112698-31-00	
		CHECKED : HY. KOBAYASHI	18.02.26	PART NO.		HR30-7P-C(31)	
		DESIGNED : DS. MATSUNE	18.02.24	CODE NO.		CL130-3004-8-31	
		DRAWN : AI. NISHIYAMA	18.02.22				