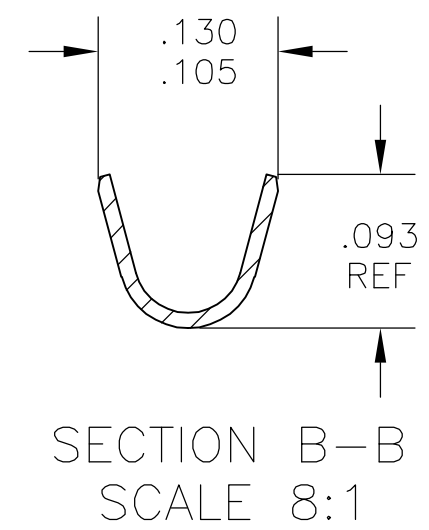
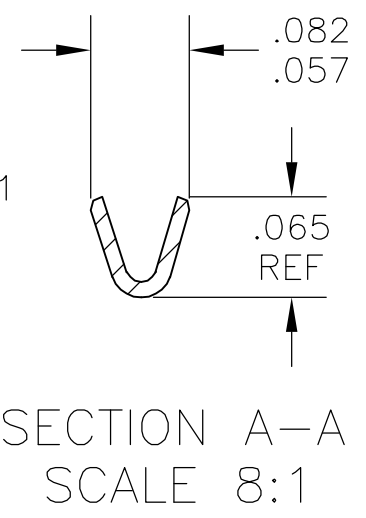
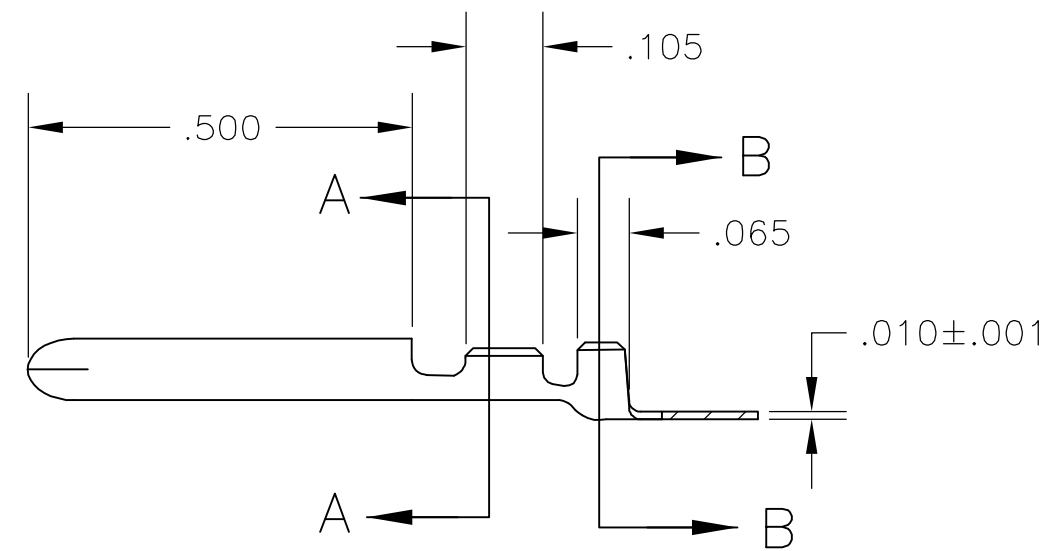
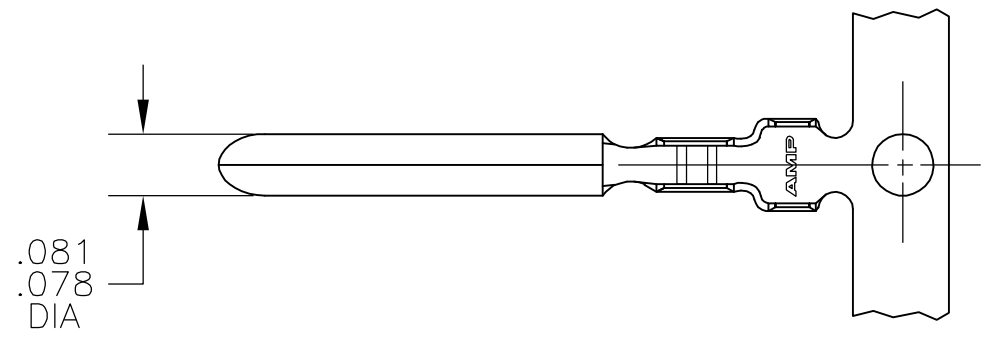


THIS DRAWING IS UNPUBLISHED. RELEASED FOR PUBLICATION  
 © COPYRIGHT BY TYCO ELECTRONICS CORPORATION. ALL RIGHTS RESERVED.

LOC	DIST	REVISIONS			
P	LTR	DESCRIPTION	DATE	DWN	APVD
AF	50	A	REVISED PER ECR-06-023109	05OCT06	HMR DD

- 1 CONTINUOUS STRIP ON REELS
- 2 WIRE SIZE #28-#24 AWG
- 3 INSULATION RANGE IS .042-.073 DIA.
- △ 4 PRE-PRODUCTION - FASR REQUIRED.



△ 4 1742473-1  
 PART NO

THIS DRAWING IS A CONTROLLED DOCUMENT.		DWN JR RUTH 08SEPT06	Tyco Electronics Corporation Harrisburg, PA 17105-3608		
DIMENSIONS: INCHES		CHK D DECKER 08SEPT06			
TOLERANCES UNLESS OTHERWISE SPECIFIED:		APVD D DECKER 08SEPT06	PIN, .080 DIAMETER		
0 PLC ± - 1 PLC ± - 2 PLC ± - 3 PLC ± .010 4 PLC ± - ANGLES ± 1'		PRODUCT SPEC	SIZE	CAGE CODE	DRAWING NO
MATERIAL 082 BRASS		FINISH .000080 MIN TIN	—	A300779	C-1742473
		WEIGHT	—	RESTRICTED TO	—
CUSTOMER DRAWING			SCALE	SHEET	REV
			4:1	1 OF 1	A