

Customer Information Sheet

DRAWING No.: R20-100XX02

SHEET 2 OF 2

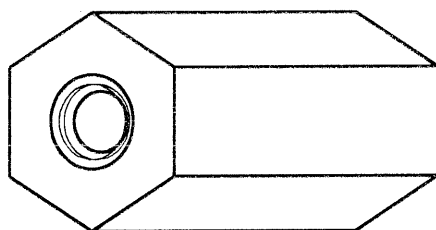
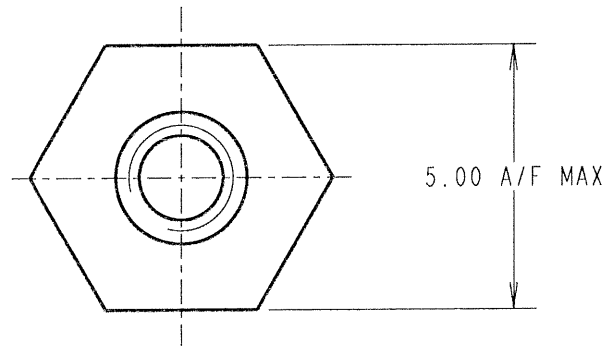
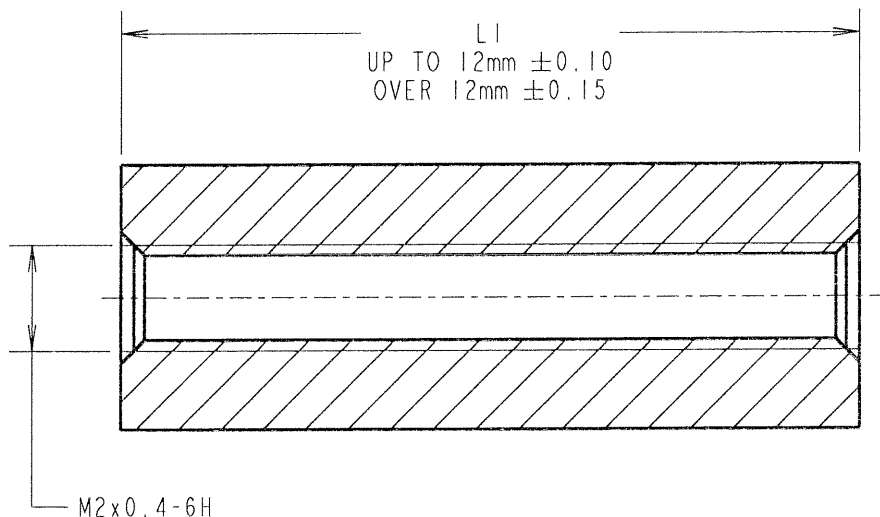
IF IN DOUBT - ASK



NOT TO SCALE

THIRD ANGLE PROJECTION

ALL DIMENSIONS IN mm



PART No.	LI
R20-10004XX	4.00
R20-10006XX	6.00
R20-10014XX	14.00

ORDER CODE: **R20-100XX02**

LENGTH LI IN mm _____

JMB	3	12.10.06	9512
NAME	ISS.	DATE	C/NOTE
APPROVED: <i>JBB</i>			
CHECKED: <i>[Signature]</i>			
DRAWN: WJ BOURNE			
CUSTOMER REF.:			
ASSEMBLY DRG:			

HARWIN

THIS DRAWING AND ANY INFORMATION OR DESCRIPTIVE MATTER SET OUT HEREON ARE CONFIDENTIAL AND COPYRIGHT PROPERTY OF THE HARWIN GROUP AND MUST NOT BE DISCLOSED, LOANED, COPIED OR USED FOR MANUFACTURING, TENDERING OR FOR ANY OTHER PURPOSE WITHOUT THEIR WRITTEN PERMISSION.

TOLERANCES

X. = ±1mm
 X.X = ±0.25mm
 X.XX = ±0.10mm
 X.XXX = ±0.01mm

ANGLES = ±5°
 UNLESS STATED

MATERIAL:

BRASS
 CW614N M TO BS EN 12164
 (CuZn39Pb3)

FINISH: NICKEL

S/AREA: mm²

TITLE:

M2 HEXAGONAL
 FEMALE SPACER

DRAWING NUMBER:

R20-100XX02

SHT
 2 OF 2

HARWIN INC
 U.S.A.

TEL: (812) 542 2540
 FAX: (812) 542 2541

HARWIN PLC
 U.K.

TEL: 023 9231 4545
 FAX: 023 9231 4590

HARWIN PTE
 SINGAPORE

TEL: 65 6779 4909
 FAX: 65 6779 3868