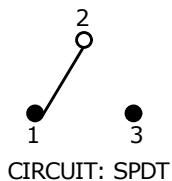
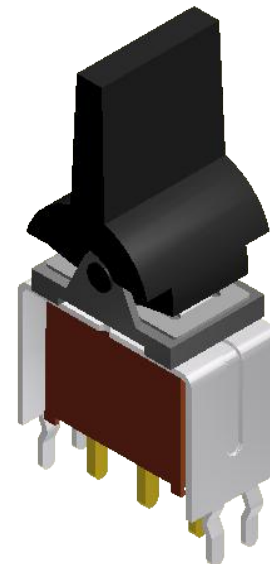
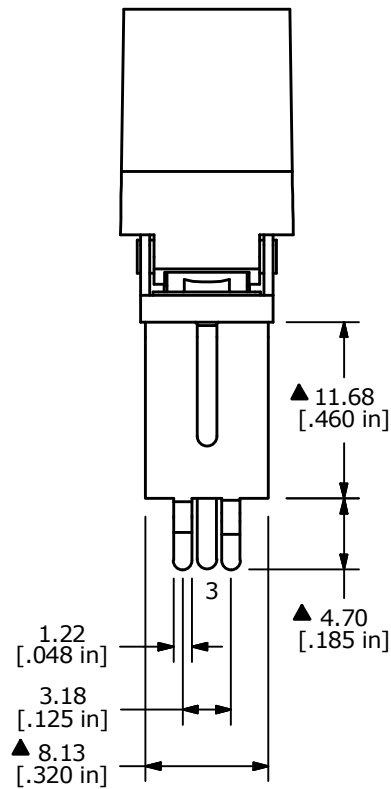
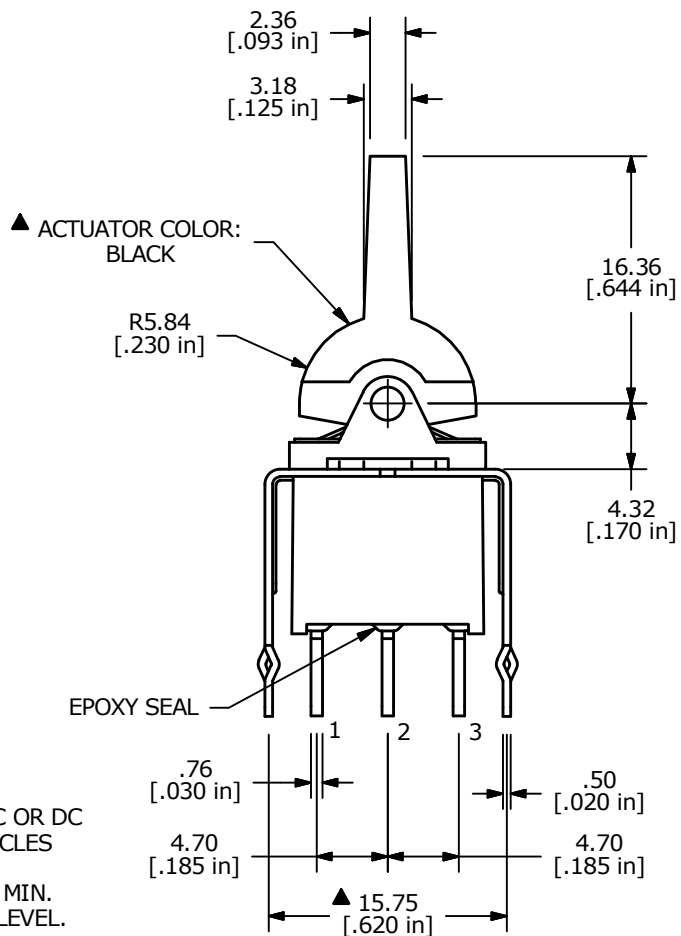
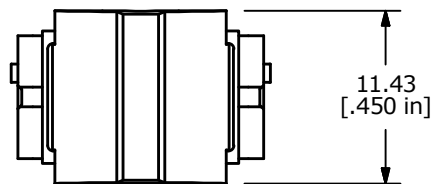


RECOMMENDED P.C. MOUNTING

| SWITCH FUNCTION | | |
|-----------------|--------|--------|
| POS. 1 | POS. 2 | POS. 3 |
| | | |
| ON | NONE | (ON) |
| 2-3 | OPEN | 2-1 |



- NOTE:
1. ALL DIMENSIONS IN MM [INCH]
 2. GENERAL TOLERANCE: X.X=±0.4
X.XX=±0.25
 3. TERMINAL NUMBERS FOR REF ONLY
 - ▲ 4. PLATING MATERIAL: GOLD
 5. RATING: 0.4 VOLT-AMPS MAX. @20V MAX. AC OR DC
 6. ELECTRIC LIFE: 30,000 MAKE-AND-BREAK CYCLES AT FULL LOAD.
 7. INSULATION RESISTANCE: 1,000 MEGA-OHM MIN.
 8. DIELECTRIC STRENGTH: 1,000 V RMS @SEA LEVEL.
 9. OPERATING TEMP.: -30°C to 85°C
 10. ▲ DENOTES CRITICAL PARAMETER.
 11. 2011/65/EU (ROHS) COMPLIANT



| | | | | |
|-----|--------|------------------------------|---------|-----|
| B | 22664 | UPDATED LAYOUT AND TERMINALS | 1/12/17 | MJR |
| A | 14461 | RELEASED FOR PRODUCTION | 11/5/04 | AR |
| REV | PCR NO | DESCRIPTION | DATE | BY |

| | | | | |
|---------------------------|----------------|-------|-------------|-------|
| TITLE 300AWSP2J6BLKVS21RE | | | | |
| SCALE 2:1 | DATE 11/5/2004 | DR AR | DWG T301498 | REV B |

THE INFORMATION CONTAINED IN THIS DOCUMENT IS PROPRIETARY TO E-SWITCH AND IS NOT TO BE COPIED OR TRANSFERRED