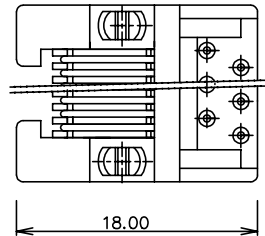
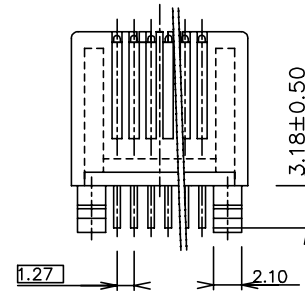
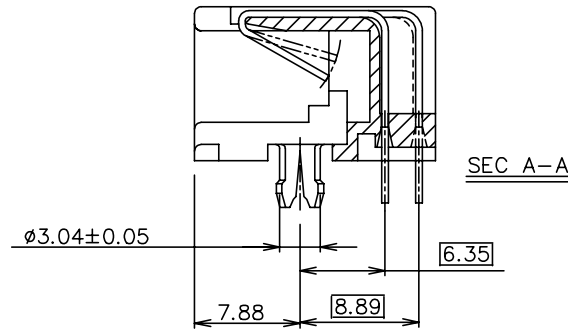
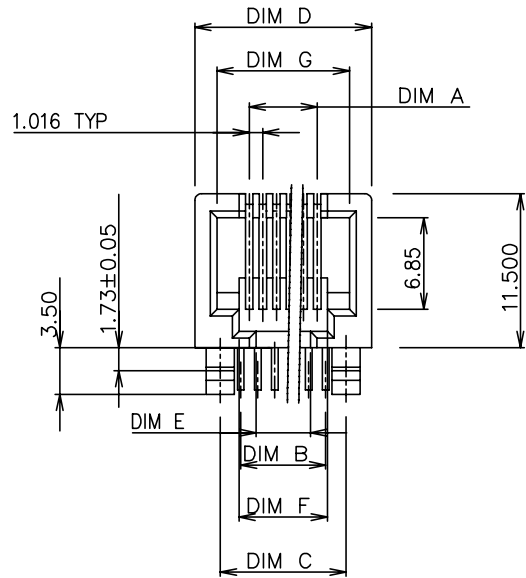
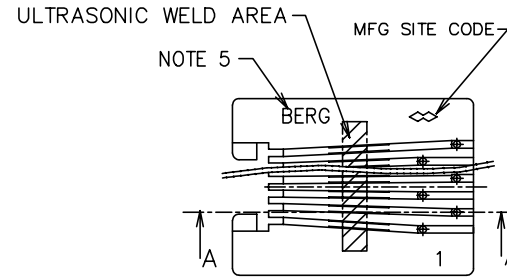


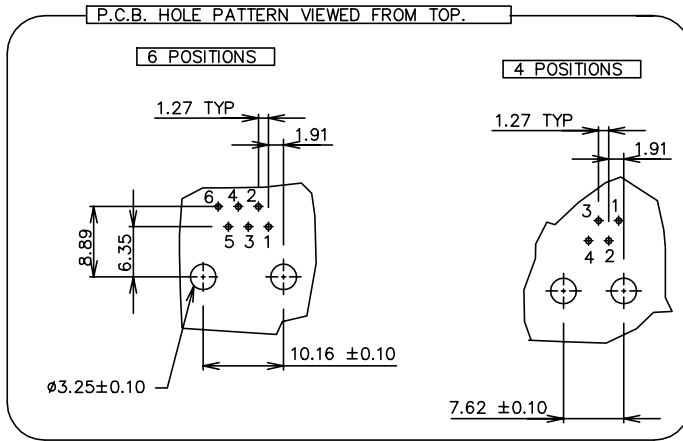
PRODUCT NO.
93067-XXX



mat'l. code		surface ISO1302 ✓		tolerance ISO1101 ISO406		projection mm		product family MOD JACK	
l'recn nodr		date		tolerances unless otherwise specified		scale 2.0		title	
A	T30105			angle	0.X±0.3	mm		LOW PROFILE PCB III HORZ	
B	T40242	CL	10/11/94	0°±2'	0.XX±0.15			MOD JACK.FOR 1.6MM P.C.B.	
C	T03-0443	WL	10/08/03		0.XXX±0.05				
D	N05-0030	YS	02/05/05	dr	KCHOU	04/22/93	dwg no		sheet 1 of 2
E	ELX-N-010988	SH	MMW	03/14/12	engr	TONY CHIEN	04/22/93	size	
					chr	TONY CHIEN	04/22/93	A4	
					appd	JENN TSAO	04/22/93	type Product Customer Drawing	
sheet index	revision	E	E						
	sheet	1	2						

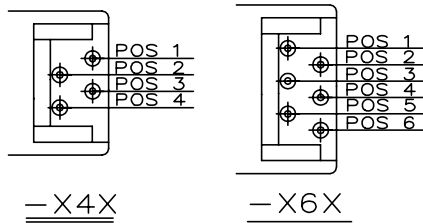
PRODUCT NO.
93067-xxx

PRODUCT NUMBER	NUMBER OF POS.	DIM A	DIM B	DIM C	DIM D	DIM E	DIM F	DIM G	LOA DED POSITION	PLATING
93067-066 93067-066LF	6	5.08	6.35	10.16	13.20	4.06	6.60	9.90	ALL POS.	5u" Au + high performance lubricant



NOTES:

1. RECOMMENDED P.C.B THICKNESS 1.60 MM
2. HOUSING MAT'L: NYLON 6/6, 25% GLASS REINFORCED, UL94-V0, COLOR-BLACK.
3. CONTACTS: PHOS BRONZE ALLOY UNS-C51000, 0.460DIA. ROUND WIRE. PLATING SEE TABLE.
4. STANDARD PACKAGING METHOD(USE TUBE): SEE GES-14-361.
5. COMPANY LOGO CAN BE "BERG" OR "DU PONT", AND WOULD APPEAR IN THE SAME SHIPMENT UNLESS LOGO SPEC HEREIN IS UPDATED.
6. COMPANY LOGO CAN BE "BERG" OR "DU PONT", AND WOULD
7. THE PRODUCT MEETS EUROPEAN UNION DIRECTIVES AND OTHER COUNTRY REGULATIONS AS DESCRIBED IN GS-22-008
8. THE HOUSING WILL WITHSTAND EXPOSURE TO 260° PEAK TEMPERATURE FOR 10 SECONDS IN A WAVE SOLDER APPLICATION WITH A 1.60mm MINIMUM THICK CIRCUIT BOARD
9. IF LF P/N PACKAGING MEETS GS-14-920 SPECIFICATION



WIRE POSITION No

mat'l. code	surface ISO1302 ✓	tolerance ISO1101 ISO406	projection 	product family MOD JACK
ltr ecn nodr date	tolerances unless otherwise specified		mm	title LOW PROFILE PCB III HORZ MOD JACK.FOR 1.6MM P.C.B.
E	angle 0°±2'	0.X±0.3 0.XX±0.15 0.XXX±0.05	scale 2.0	dwg no 93067 sheet 2 of 2 size A4
	dr KCHOU 04/22/93	engr TONY CHIEN 04/22/93		type Product Customer Drawing
	chr TONY CHIEN 04/22/93	appd JENN TSAO 04/22/93		
sheet index	revision sheet			