

BOS-Streamline



Detailed product information can be found on www.bopla.de



- 6 basic sizes
- 2 colours
- Flat or inclined design by turning the enclosure half-shells
- Lid optionally with display screen (DIS) or continuous membrane area (F)
- Versions with or without battery compartment
- Optional impact protection/decor seal in 5 colours

Colour:

Graphite grey, similar to RAL 7024 or light grey, similar to RAL 7035; special colours on request

Protection class:

Up to IP 65/DIN EN 60529, depending on the model

Enclosure material:

ABS, decor seal made of TPE; for details see Technical Information

Ergonomic ABS hand-held enclosure with optional impact protection seal



BS .00: without battery compartment, IP 40
BS .01: with battery compartment, IP 40



BS .02: without battery compartment, IP 65
BS .04: with battery compartment, IP 65



BS .00: without battery compartment, with additional decor seal IP 65 (except for BS 200, IP 54)
BS .03: with battery compartment, with additional decor seal IP 65



Turning the lid by 180° against the base allows the forming of profile variants.



All enclosures have a recessed membrane keypad surface.



Some versions are also equipped with a display cut-out and/or a battery compartment.



BS 2..F: Fitted as standard with a loop for attaching a lanyard. All other sizes can be retrofitted.



Silver edition



Optional decor seal ensures a high level of protection. Protects the enclosure if it is dropped. Offers colour design options.

BOS-Streamline 2..F | with continuous membrane keypad area

BS 200 F, IP 40 (IP 54), with loop for attaching lanyard



Model	Order no.	A	B	C	Colour
BS 200 F-7024	82200124	79,4	44,1	22,2	Graphite grey
BS 200 F-7035	82200135	79,4	44,1	22,2	Light grey
BS 200 F-S	82200100*	79,4	44,1	22,2	Silver

Scope of delivery: Lid and base, 1 screw

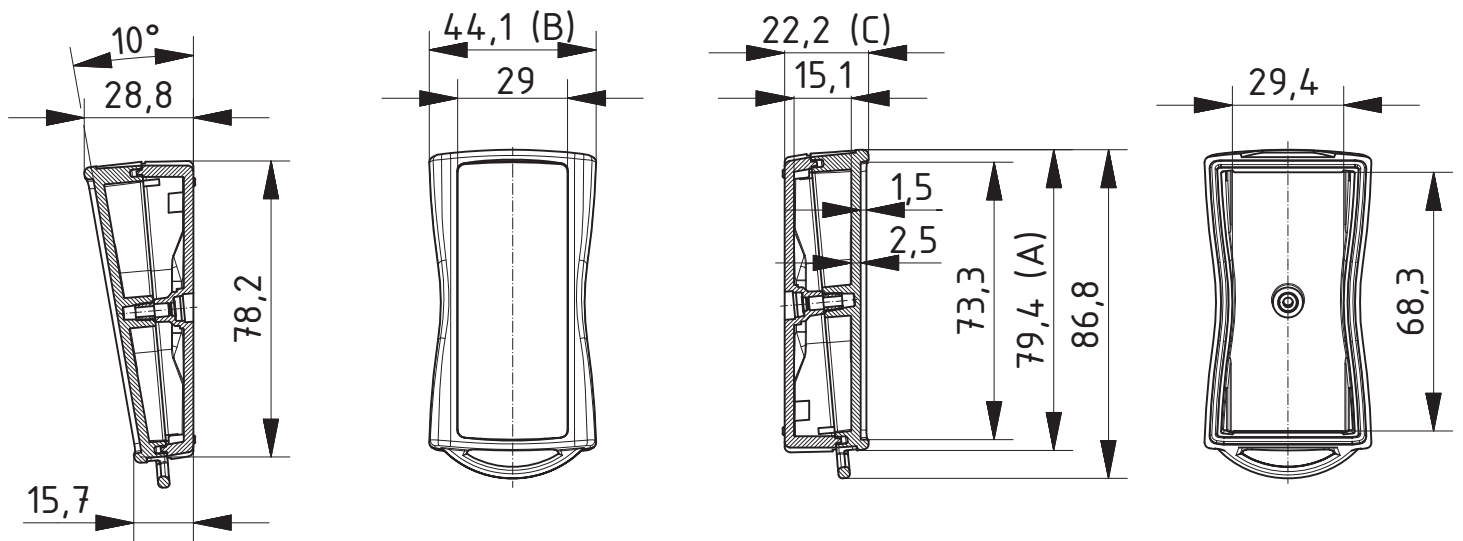
Note: Upgradable to IP 54 by fitting DI-D.

BS 202 F, IP 54, with loop for attaching lanyard



Model	Order no.	A	B	C	Colour
BS 202 F-7024	82202124	79,4	44,1	22,2	Graphite grey
BS 202 F-7035	82202135	79,4	44,1	22,2	Light grey
BS 202 F-S	82202100*	79,4	44,1	22,2	Silver

Scope of delivery: Lid and base including seal, 1 screw



Z-2803266

BOS-Streamline 4..F | with continuous membrane keypad area

BS 400 F without battery compartment, IP 40 (IP 65)



Model	Order no.	A	B	C	Colour
BS 400 F-7024	82400124	119,3	64,9	26,5	Graphite grey
BS 400 F-7035	82400135	119,3	64,9	26,5	Light grey
BS 400 F-S	82400100*	119,3	64,9	26,5	Silver

Scope of delivery: Lid and base, 4 screws

Note: * = Available on request. Upgradable to IP 65 by fitting DI-D.

BS 402 F without battery compartment, IP 65



Model	Order no.	A	B	C	Colour
BS 402 F-7024	82402124	119,3	64,9	26,5	Graphite grey
BS 402 F-7035	82402135	119,3	64,9	26,5	Light grey
BS 402 F-S	82402100*	119,3	64,9	26,5	Silver

Scope of delivery: Lid and base including seal, 4 screws

BS 401 with compartment for 3 micro (AAA) batteries, IP 40



Model	Order no.	A	B	C	Colour
BS 401 F-7024	82401124	119,3	64,9	26,5	Graphite grey
BS 401 F-7035	82401135	119,3	64,9	26,5	Light grey
BS 401 F-S	82401100*	119,3	64,9	26,5	Silver

Scope of delivery: Lid and base, 4 screws, battery compartment lid, screws, battery contacts

BS 403 F with compartment for 3 micro (AAA) batteries, IP 40 (IP 65)



Model	Order no.	A	B	C	Colour
BS 403 F-7024	82403124	119,3	64,9	26,5	Graphite grey
BS 403 F-7035	82403135	119,3	64,9	26,5	Light grey
BS 403 F-S	82403100*	119,3	64,9	26,5	Silver

Scope of delivery: Lid and base, 4 screws, battery compartment lid, battery compartment seal, screws, battery contacts

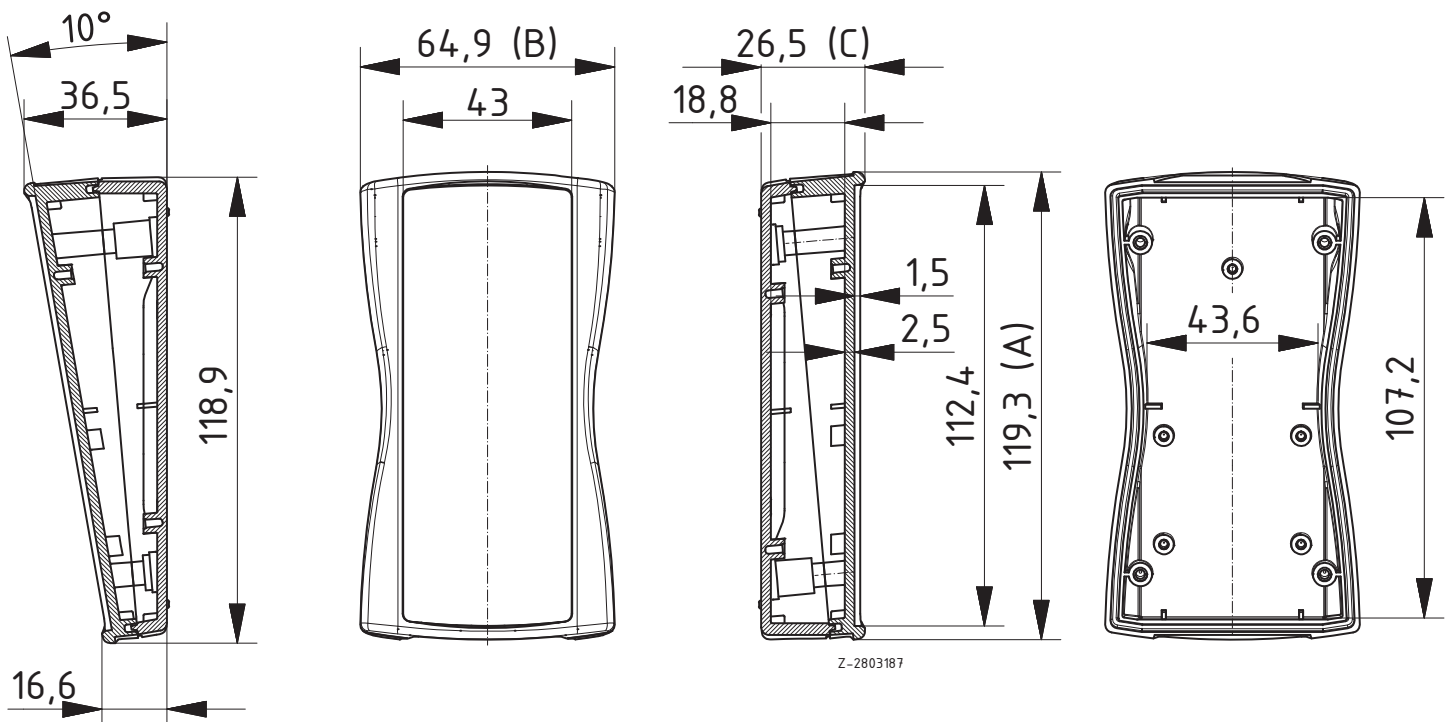
Note: * = Available on request. Upgradable to IP 65 by fitting DI-D.

BOS-Streamline 4..F | with continuous membrane keypad area

BS 404 F with compartment for 3 micro (AAA) batteries, IP 65

Model	Order no.	A	B	C	Colour
BS 404 F-7024	82404124	119,3	64,9	26,5	Graphite grey
BS 404 F-7035	82404135	119,3	64,9	26,5	Light grey
BS 404 F-S	82404100*	119,3	64,9	26,5	Silver

Scope of delivery: Lid and base including seal, 4 screws, battery compartment lid, battery compartment seal, screws, battery contacts



BOS-Streamline 4..DIS | with display screen and membrane keypad area



BS 400 DIS without battery compartment, IP 40 (IP 65)

Model	Order no.	A	B	C	Colour
BS 400 DIS-7024	82400224	119,3	64,9	26,5	Graphite grey
BS 400 DIS-7035	82400235	119,3	64,9	26,5	Light grey
BS 400 DIS-S	82400200*	119,3	64,9	26,5	Silver

Scope of delivery: Lid and base, display screen, adhesive film, 4 screws

Note: * = Available on request. Upgradable to IP 65 by fitting DI-D.



BS 402 DIS without battery compartment, IP 65

Model	Order no.	A	B	C	Colour
BS 402 DIS-7024	82402224	119,3	64,9	26,5	Graphite grey
BS 402 DIS-7035	82402235	119,3	64,9	26,5	Light grey
BS 402 DIS-S	82402200*	119,3	64,9	26,5	Silver

Scope of delivery: Lid and base including seal, display screen, adhesive film, 4 screws



BS 401 DIS with compartment for 3 micro (AAA) batteries, IP 40

Model	Order no.	A	B	C	Colour
BS 401 DIS-7024	82401224	119,3	64,9	26,5	Graphite grey
BS 401 DIS-7035	82401235	119,3	64,9	26,5	Light grey
BS 401 DIS-S	82401200*	119,3	64,9	26,5	Silver

Scope of delivery: Lid and base, display screen, adhesive film, 4 screws, battery compartment lid, screws, battery contacts



BS 403 DIS with compartment for 3 micro (AAA) batteries, IP 40 (IP 65)

Model	Order no.	A	B	C	Colour
BS 403 DIS-7024	82403224	119,3	64,9	26,5	Graphite grey
BS 403 DIS-7035	82403235	119,3	64,9	26,5	Light grey
BS 403 DIS-S	82403200*	119,3	64,9	26,5	Silver

Scope of delivery: Lid and base, display screen, adhesive film, 4 screws, battery compartment lid, battery compartment seal, screws, battery contacts

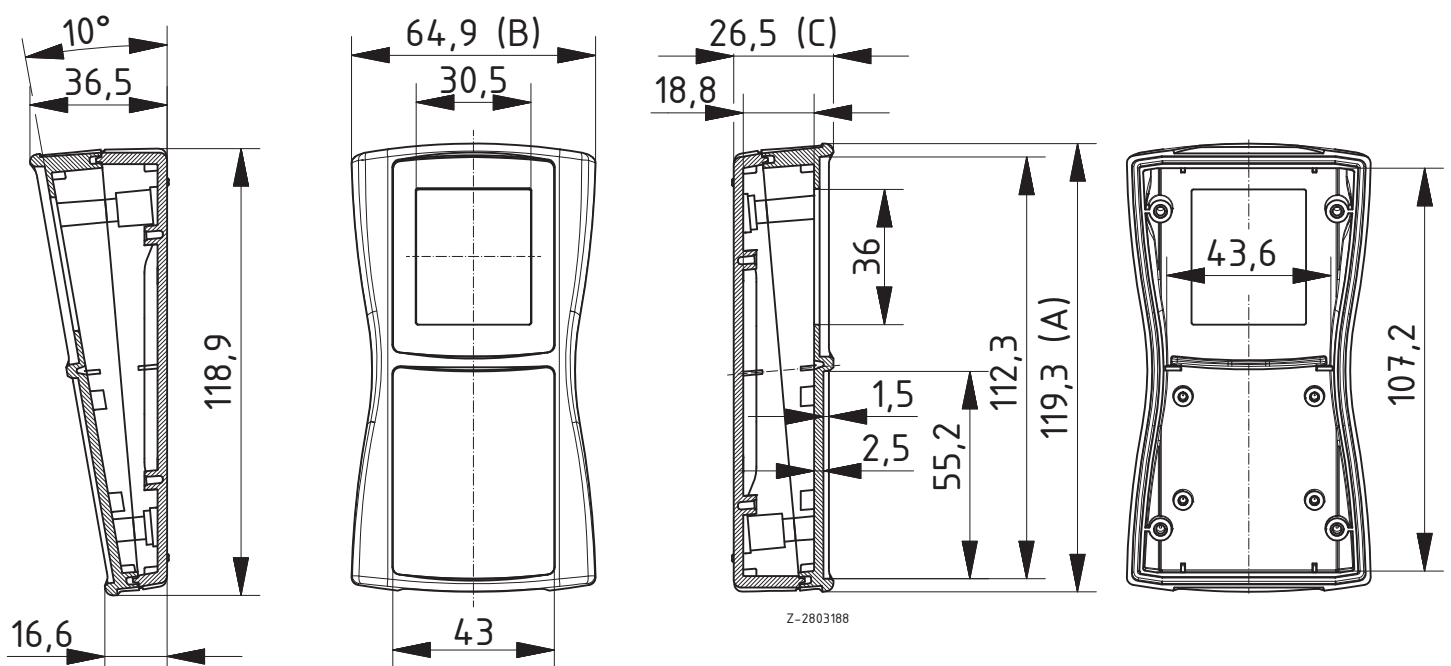
Note: * = Available on request. Upgradable to IP 65 by fitting DI-D.

BOS-Streamline 4..DIS | with display screen and membrane keypad area

BS 404 DIS with compartment for 3 micro (AAA) batteries, IP 65

Model	Order no.	A	B	C	Colour
BS 404 DIS-7024	82404224	119,3	64,9	26,5	Graphite grey
BS 404 DIS-7035	82404235	119,3	64,9	26,5	Light grey
BS 404 DIS-S	82404200*	119,3	64,9	26,5	Silver

Scope of delivery: Lid and base including seal, display screen, adhesive film, 4 screws, battery compartment lid, battery compartment seal, screws, battery contacts



For accessories, please see the end of the chapter

BOS-Streamline 5..F | with continuous membrane keypad area

BS 500 F without battery compartment, IP 40 (IP 65)



Model	Order no.	A	B	C	Colour
BS 500 F-7024	82500124	140,3	72,9	31,3	Graphite grey
BS 500 F-7035	82500135	140,3	72,9	31,3	Light grey
BS 500 F-S	82500100*	140,3	72,9	31,3	Silver

Scope of delivery: Lid and base, 4 screws

Note: * = Available on request. Upgradable to IP 65 by fitting DI-D.

BS 502 F without battery compartment, IP 65



Model	Order no.	A	B	C	Colour
BS 502 F-7024	82502124	140,3	72,9	31,3	Graphite grey
BS 502 F-7035	82502135	140,3	72,9	31,3	Light grey
BS 502 F-S	82502100*	140,3	72,9	31,3	Silver

Scope of delivery: Lid and base including seal, 4 screws

BS 501 F with compartment for 3 micro (AAA) batteries, IP 40



Model	Order no.	A	B	C	Colour
BS 501 F-7024	82501124	140,3	72,9	31,3	Graphite grey
BS 501 F-7035	82501135	140,3	72,9	31,3	Light grey
BS 501 F-S	82501100*	140,3	72,9	31,3	Silver

Scope of delivery: Lid and base, 4 screws, battery compartment lid, screws, battery contacts

BS 503 F with compartment for 3 micro (AAA) batteries, IP 40 (IP 65)



Model	Order no.	A	B	C	Colour
BS 503 F-7024	82503124	140,3	72,9	31,3	Graphite grey
BS 503 F-7035	82503135	140,3	72,9	31,3	Light grey
BS 503 F-S	82503100*	140,3	72,9	31,3	Silver

Scope of delivery: Lid and base, 4 screws, battery compartment lid, battery compartment seal, screws, battery contacts

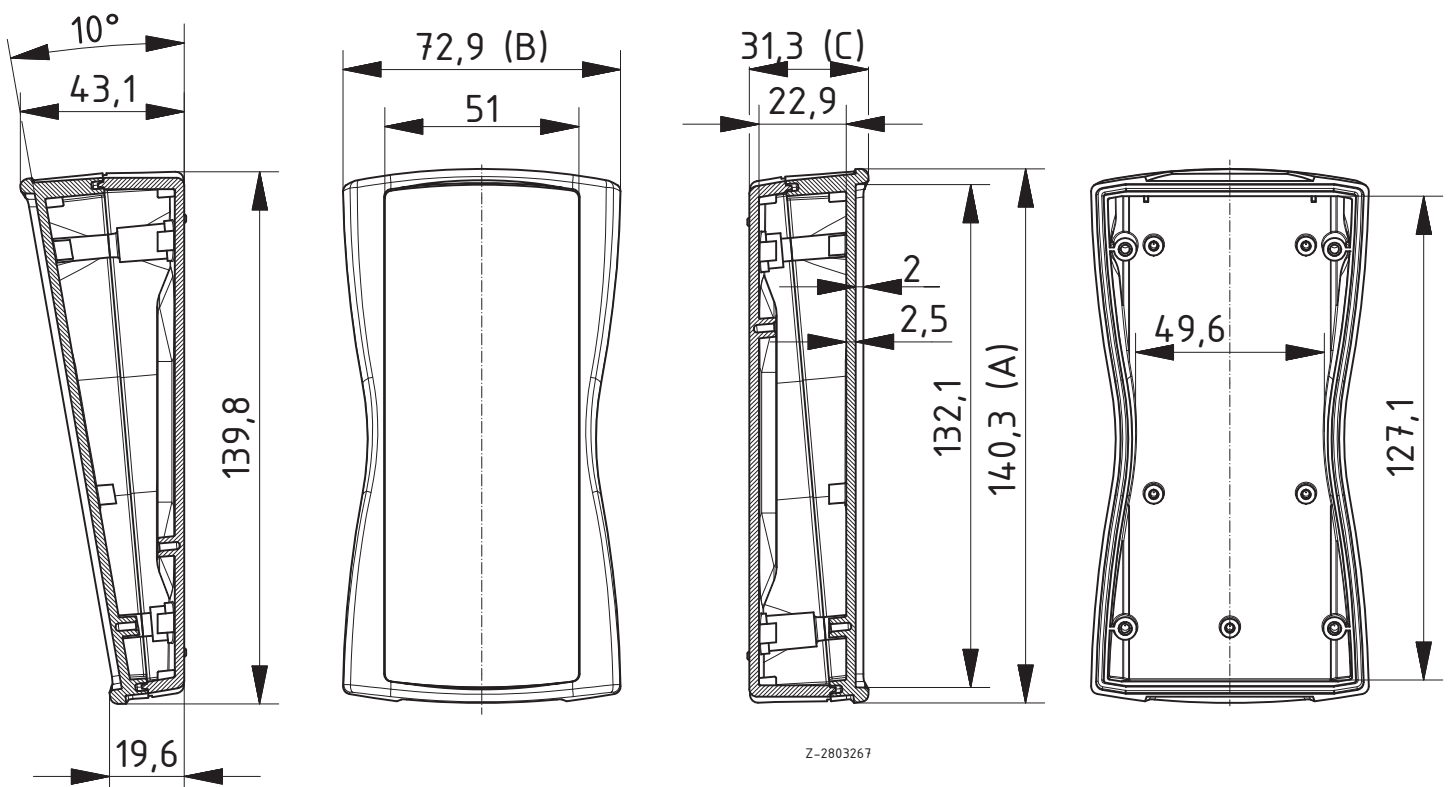
Note: * = Available on request. Upgradable to IP 65 by fitting DI-D.

BOS-Streamline 5..F | with continuous membrane keypad area

BS 504 F with compartment for 3 micro (AAA) batteries, IP 65

Model	Order no.	A	B	C	Colour
BS 504 F-7024	82504124	140,3	72,9	31,3	Graphite grey
BS 504 F-7035	82504135	140,3	72,9	31,3	Light grey
BS 504 F-S	82504100*	140,3	72,9	31,3	Silver

Scope of delivery: Lid and base including seal, 4 screws, battery compartment lid, battery compartment seal, screws, battery contacts



BOS-Streamline 5..DIS | with display screen and membrane keypad area

BS 500 DIS without battery compartment, IP 40 (IP 65)



Model	Order no.	A	B	C	Colour
BS 500 DIS-7024	82500224	140,3	72,9	31,3	Graphite grey
BS 500 DIS-7035	82500235	140,3	72,9	31,3	Light grey
BS 500 DIS-S	82500200*	140,3	72,9	31,3	Silver

Scope of delivery: Lid and base, display screen, adhesive film, 4 screws

Note: * = Available on request. Upgradable to IP 65 by fitting DI-D.

BS 502 DIS without battery compartment, IP 65



Model	Order no.	A	B	C	Colour
BS 502 DIS-7024	82502224	140,3	72,9	31,3	Graphite grey
BS 502 DIS-7035	82502235	140,3	72,9	31,3	Light grey
BS 502 DIS-S	82502200*	140,3	72,9	31,3	Silver

Scope of delivery: Lid and base including seal, display screen, adhesive film, 4 screws

BS 501 DIS with compartment for 3 micro (AAA) batteries, IP 40



Model	Order no.	A	B	C	Colour
BS 501 DIS-7024	82501224	140,3	72,9	31,3	Graphite grey
BS 501 DIS-7035	82501235	140,3	72,9	31,3	Light grey
BS 501 DIS-S	82501200*	140,3	72,9	31,3	Silver

Scope of delivery: Lid and base, display screen, adhesive film, 4 screws, battery compartment lid, screws, battery contacts

BS 503 DIS with compartment for 3 micro (AAA) batteries, IP 40 (IP 65)



Model	Order no.	A	B	C	Colour
BS 503 DIS-7024	82503224	140,3	72,9	31,3	Graphite grey
BS 503 DIS-7035	82503235	140,3	72,9	31,3	Light grey
BS 503 DIS-S	82503200*	140,3	72,9	31,3	Silver

Scope of delivery: Lid and base, display screen, adhesive film, 4 screws, battery compartment lid, battery compartment seal, screws, battery contacts

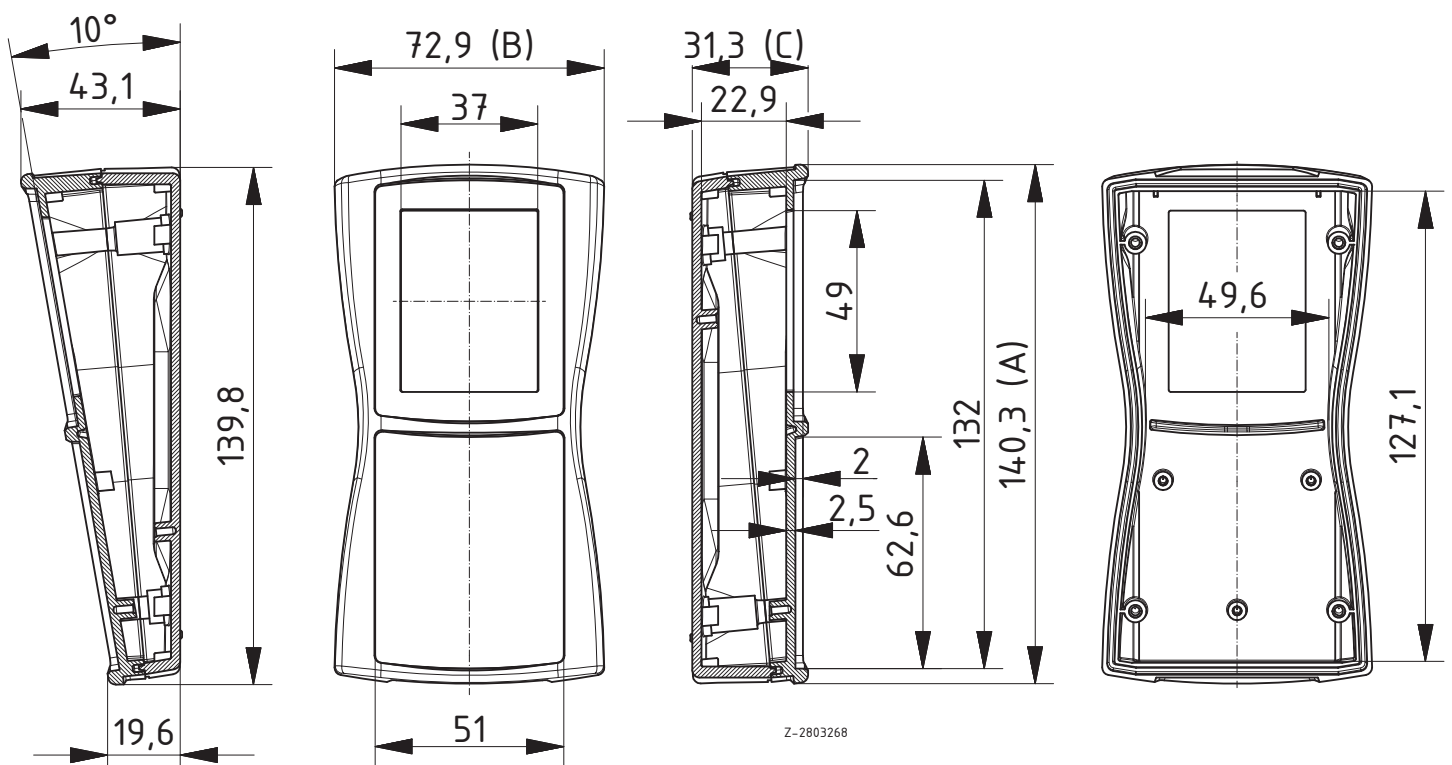
Note: * = Available on request. Upgradable to IP 65 by fitting DI-D.

BOS-Streamline 5..DIS | with display screen and membrane keypad area

BS 504 DIS with compartment for 3 micro (AAA) batteries, IP 65

Model	Order no.	A	B	C	Colour
BS 504 DIS-7024	82504224	140,3	72,9	31,3	Graphite grey
BS 504 DIS-7035	82504235	140,3	72,9	31,3	Light grey
BS 504 DIS-S	82504200*	140,3	72,9	31,3	Silver

Scope of delivery: Lid and base including seal, display screen, adhesive film, 4 screws, battery compartment lid, battery compartment seal, screws, battery contacts



For accessories, please see the end of the chapter

BOS-Streamline 6..F | with continuous membrane keypad area

BS 600 F without battery compartment, IP 40 (IP 65)



Model	Order no.	A	B	C	Colour
BS 600 F-7024	82600124	159,4	77,9	33,5	Graphite grey
BS 600 F-7035	82600135	159,4	77,9	33,5	Light grey
BS 600 F-S	82600100*	159,4	77,9	33,5	Silver

Scope of delivery: Lid and base, 4 screws

Note: * = Available on request. Upgradable to IP 65 by fitting DI-D.

BS 602 F without battery compartment, IP 65



Model	Order no.	A	B	C	Colour
BS 602 F-7024	82602124	159,4	77,9	33,5	Graphite grey
BS 602 F-7035	82602135	159,4	77,9	33,5	Light grey
BS 602 F-S	82602100*	159,4	77,9	33,5	Silver

Scope of delivery: Lid and base including seal, 4 screws

BS 601 F with compartment for 3 mignon (AA) batteries, IP 40



Model	Order no.	A	B	C	Colour
BS 601 F-7024	82601124	159,4	77,9	33,5	Graphite grey
BS 601 F-7035	82601135	159,4	77,9	33,5	Light grey
BS 601 F-S	82601100*	159,4	77,9	33,5	Silver

Scope of delivery: Lid and base, 4 screws, battery compartment lid, screws, battery contacts

BS 603 F with compartment for 3 mignon (AA) batteries, IP 40 (IP 65)



Model	Order no.	A	B	C	Colour
BS 603 F-7024	82603124	159,4	77,9	33,5	Graphite grey
BS 603 F-7035	82603135	159,4	77,9	33,5	Light grey
BS 603 F-S	82603100*	159,4	77,9	33,5	Silver

Scope of delivery: Lid and base, 4 screws, battery compartment lid, battery compartment seal, screws, battery contacts

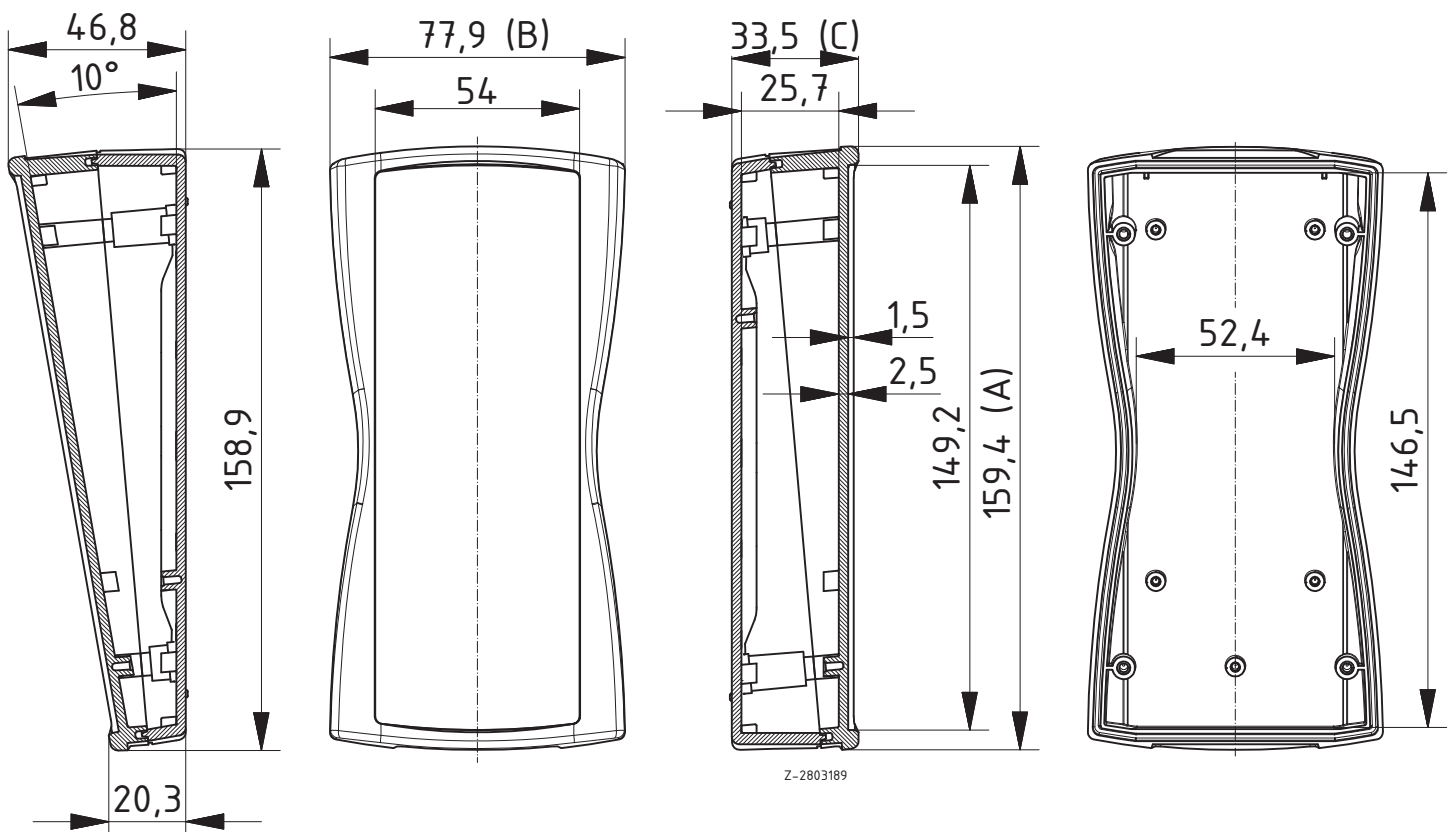
Note: * = Available on request. Upgradable to IP 65 by fitting DI-D.

BOS-Streamline 6..F | with continuous membrane keypad area

BS 604 F with compartment for 3 mignon (AA) batteries, IP 65

Model	Order no.	A	B	C	Colour
BS 604 F-7024	82604124	159,4	77,9	35,5	Graphite grey
BS 604 F-7035	82604135	159,4	77,9	33,5	Light grey
BS 604 F-S	82604100*	159,4	77,9	33,5	Silver

Scope of delivery: Lid and base including seal, 4 screws, battery compartment lid, battery compartment seal, screws, battery contacts



BOS-Streamline 6..DIS | with display screen and membrane keypad area



BS 600 DIS without battery compartment, IP 40 (IP 65)

Model	Order no.	A	B	C	Colour
BS 600 DIS-7024	82600224	159,4	77,9	33,5	Graphite grey
BS 600 DIS-7035	82600235	159,4	77,9	33,5	Light grey
BS 600 DIS-S	82600200*	159,4	77,9	33,5	Silver

Scope of delivery: Lid and base, display screen, adhesive film, 4 screws

Note: * = Available on request. Upgradable to IP 65 by fitting DI-D.



BS 602 DIS without battery compartment, IP 65

Model	Order no.	A	B	C	Colour
BS 602 DIS-7024	82602224	159,4	77,9	33,5	Graphite grey
BS 602 DIS-7035	82602235	159,4	77,9	33,5	Light grey
BS 602 DIS-S	82602200*	159,4	77,9	33,5	Silver

Scope of delivery: Lid and base including seal, display screen, adhesive film, 4 screws



BS 601 DIS with compartment for 3 mignon (AA) batteries, IP 40

Model	Order no.	A	B	C	Colour
BS 601 DIS-7024	82601224	159,4	77,9	33,5	Graphite grey
BS 601 DIS-7035	82601235	159,4	77,9	33,5	Light grey
BS 601 DIS-S	82601200*	159,4	77,9	33,5	Silver

Scope of delivery: Lid and base, display screen, adhesive film, 4 screws, battery compartment lid, screws, battery contacts



BS 603 DIS with compartment for 3 mignon (AA) batteries, IP 40 (IP 65)

Model	Order no.	A	B	C	Colour
BS 603 DIS-7024	82603224	159,4	77,9	33,5	Graphite grey
BS 603 DIS-7035	82603235	159,4	77,9	33,5	Light grey
BS 603 DIS-S	82603200*	159,4	77,9	33,5	Silver

Scope of delivery: Lid and base, display screen, adhesive film, 4 screws, battery compartment lid, battery compartment seal, screws, battery contacts

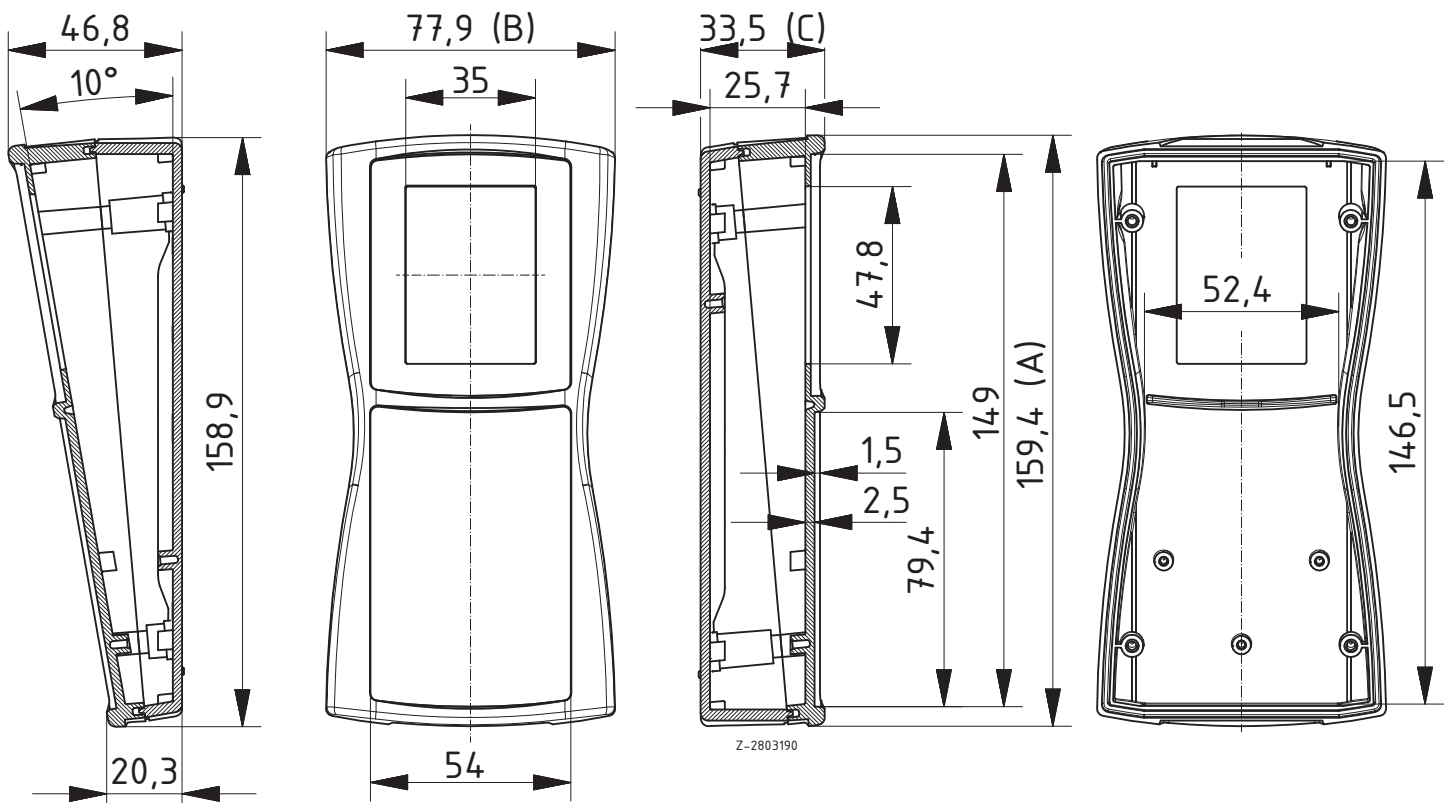
Note: * = Available on request. Upgradable to IP 65 by fitting DI-D.

BOS-Streamline 6..DIS | with display screen and membrane keypad area

BS 604 DIS with compartment for 3 mignon (AA) batteries, IP 65

Model	Order no.	A	B	C	Colour
BS 604 DIS-7024	82604224	159,4	77,9	33,5	Graphite grey
BS 604 DIS-7035	82604235	159,4	77,9	33,5	Light grey
BS 604 DIS-S	82604200*	159,4	77,9	33,5	Silver

Scope of delivery: Lid and base including seal, display screen, adhesive film, 4 screws, battery compartment lid, battery compartment seal, screws, battery contacts



For accessories, please see the end of the chapter

BOS-Streamline 7..F | with continuous membrane keypad area

BS 700 F without battery compartment, IP 40 (IP 65)



Model	Order no.	A	B	C	Colour
BS 700 F-7024	82700124	184,3	93	35,4	Graphite grey
BS 700 F-7035	82700135	184,3	93	35,4	Light grey
BS 700 F-S	82700100*	184,3	93	35,4	Silver

Scope of delivery: Lid and base, 4 screws

Note: * = Available on request. Upgradable to IP 65 by fitting DI-D.

BS 702 F without battery compartment, IP 65



Model	Order no.	A	B	C	Colour
BS 702 F-7024	82702124	184,3	93	35,4	Graphite grey
BS 702 F-7035	82702135	184,3	93	35,4	Light grey
BS 702 F-S	82702100*	184,3	93	35,4	Silver

Scope of delivery: Lid and base including seal, 4 screws

BS 701 F with compartment for 4 mignon (AA) batteries, IP 40



Model	Order no.	A	B	C	Colour
BS 701 F-7024	82701124	184,3	93	35,4	Graphite grey
BS 701 F-7035	82701135	184,3	93	35,4	Light grey
BS 701 F-S	82701100*	184,3	93	35,4	Silver

Scope of delivery: Lid and base, 4 screws, battery compartment lid, screws, battery contacts

BOS-Streamline 7..F | with continuous membrane keypad area

BS 703 F with compartment for 4 mignon (AA) batteries, IP 40 (IP 65)

Model	Order no.	A	B	C	Colour
BS 703 F-7024	82703124	184,3	93	35,4	Graphite grey
BS 703 F-7035	82703135	184,3	93	35,4	Light grey
BS 703 F-S	82703100*	184,3	93	35,4	Silver

Scope of delivery: Lid and base, 4 screws, battery compartment lid, battery compartment seal, screws, battery contacts

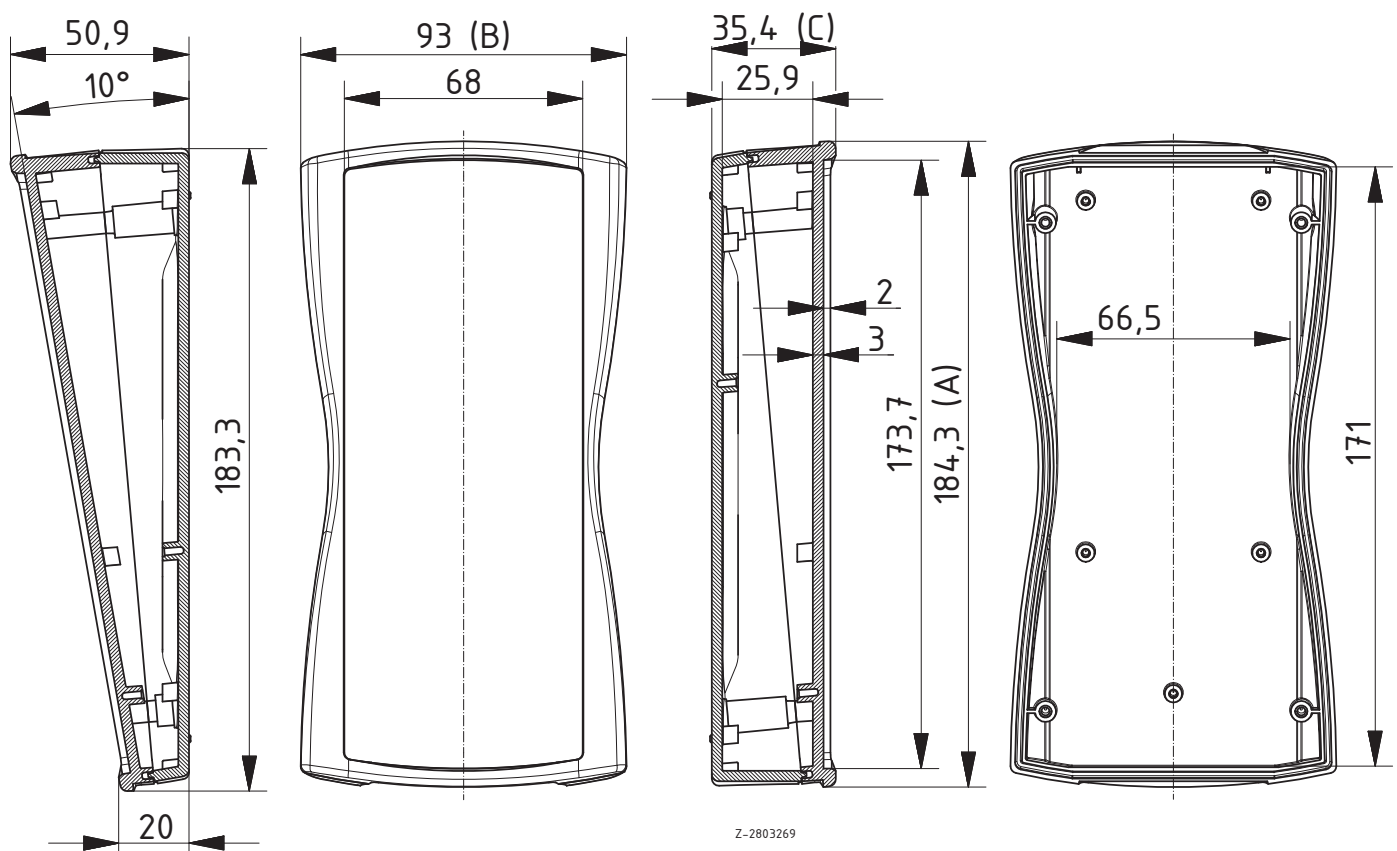
Note: * = Available on request. Upgradable to IP 65 by fitting DI-D.



BS 704 F with compartment for 4 mignon (AA) batteries, IP 65

Model	Order no.	A	B	C	Colour
BS 704 F-7024	82704124	184,3	93	35,4	Graphite grey
BS 704 F-7035	82704135	184,3	93	35,4	Light grey
BS 704 F-S	82704100*	184,3	93	35,4	Silver

Scope of delivery: Lid and base including seal, 4 screws, battery compartment lid, battery compartment seal, screws, battery contacts



BOS-Streamline 7..DIS | with display screen and membrane keypad area

BS 700 DIS without battery compartment, IP 40 (IP 65)



Model	Order no.	A	B	C	Colour
BS 700 DIS-7024	82700224	184,3	93	35,4	Graphite grey
BS 700 DIS-7035	82700235	184,3	93	35,4	Light grey
BS 700 DIS-S	82700200*	184,3	93	35,4	Silver

Scope of delivery: Lid and base, display screen, adhesive film, 4 screws

Note: * = Available on request. Upgradable to IP 65 by fitting DI-D.

BS 702 DIS without battery compartment, IP 65



Model	Order no.	A	B	C	Colour
BS 702 DIS-7024	82702224	184,3	93	35,4	Graphite grey
BS 702 DIS-7035	82702235	184,3	93	35,4	Light grey
BS 702 DIS-S	82702200*	184,3	93	35,4	Silver

Scope of delivery: Lid and base including seal, display screen, adhesive film, 4 screws

BS 701 DIS with compartment for 4 mignon (AA) batteries, IP 40



Model	Order no.	A	B	C	Colour
BS 701 DIS-7024	82701224	184,3	93	35,4	Graphite grey
BS 701 DIS-7035	82701235	184,3	93	35,4	Light grey
BS 701 DIS-S	82701200*	184,3	93	35,4	Silver

Scope of delivery: Lid and base, display screen, adhesive film, 4 screws, battery compartment lid, screws, battery contacts

BOS-Streamline 7..DIS | with display screen and membrane keypad area

BS 703 DIS with compartment for 4 mignon (AA) batteries, IP 40 (IP 65)

Model	Order no.	A	B	C	Colour
BS 703 DIS-7024	82703224	184,3	93	35,4	Graphite grey
BS 703 DIS-7035	82703235	184,3	93	35,4	Light grey
BS 703 DIS-S	82703200*	184,3	93	35,4	Silver

Scope of delivery: Lid and base, display screen, adhesive film, 4 screws, battery compartment lid, battery compartment seal, screws, battery contacts

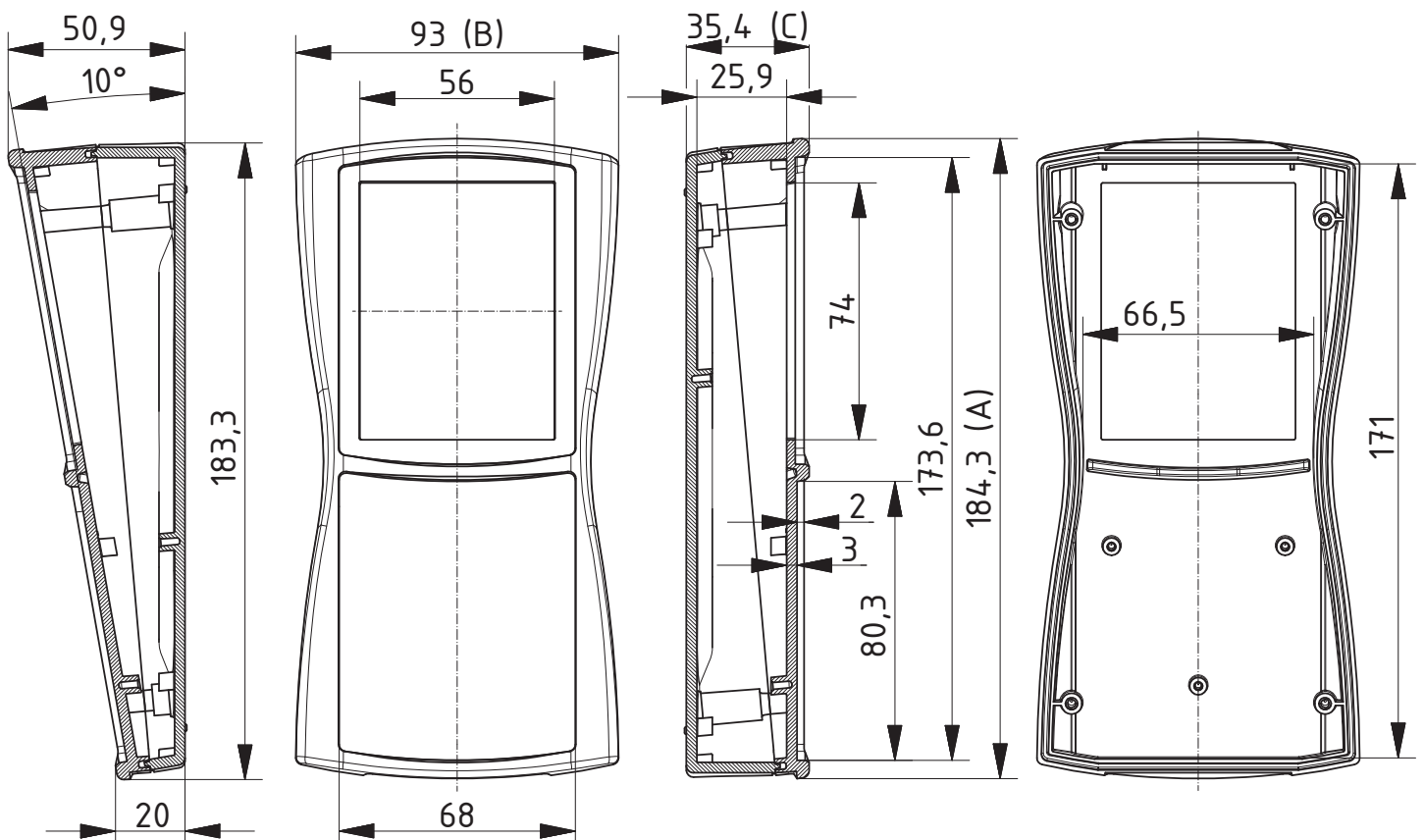
Note: * = Available on request. Upgradable to IP 65 by fitting DI-D.



BS 704 DIS with compartment for 4 mignon (AA) batteries, IP 65

Model	Order no.	A	B	C	Colour
BS 704 DIS-7024	82704224	184,3	93	35,4	Graphite grey
BS 704 DIS-7035	82704235	184,3	93	35,4	Light grey
BS 704 DIS-S	82704200*	184,3	93	35,4	Silver

Scope of delivery: Lid and base including seal, display screen, adhesive film, 4 screws, battery compartment lid, battery compartment seal, screws, battery contacts



Z-2803270

For accessories, please see the end of the chapter

BOS-Streamline 8..F | with continuous membrane keypad area

BS 800 F without battery compartment, IP 40 (IP 65)



Model	Order no.	A	B	C	Colour
BS 800 F-7024	82800124	209,3	98	34,8	Graphite grey
BS 800 F-7035	82800135	209,3	98	34,8	Light grey
BS 800 F-S	82800100*	209,3	98	34,8	Silver

Scope of delivery: Lid and base, 4 screws

Note: * = Available on request. Upgradable to IP 65 by fitting DI-D.

BS 802 F without battery compartment, IP 65



Model	Order no.	A	B	C	Colour
BS 802 F-7024	82802124	209,3	98	34,8	Graphite grey
BS 802 F-7035	82802135	209,3	98	34,8	Light grey
BS 802 F-S	82802100*	209,3	98	34,8	Silver

Scope of delivery: Lid and base including seal, 4 screws

BS 801 F with compartment for 4 mignon (AA) batteries, IP 40



Model	Order no.	A	B	C	Colour
BS 801 F-7024	82801124	209,3	98	34,8	Graphite grey
BS 801 F-7035	82801135	209,3	98	34,8	Light grey
BS 801 F-S	82801100*	209,3	98	34,8	Silver

Scope of delivery: Lid and base, 4 screws, battery compartment lid, screws, battery contacts

BS 803 F with compartment for 4 mignon (AA) batteries, IP 40 (IP 65)



Model	Order no.	A	B	C	Colour
BS 803 F-7024	82803124	209,3	98	34,8	Graphite grey
BS 803 F-7035	82803135	209,3	98	34,8	Light grey
BS 803 F-S	82803100*	209,3	98	34,8	Silver

Scope of delivery: Lid and base, 4 screws, battery compartment lid, battery compartment seal, screws, battery contacts

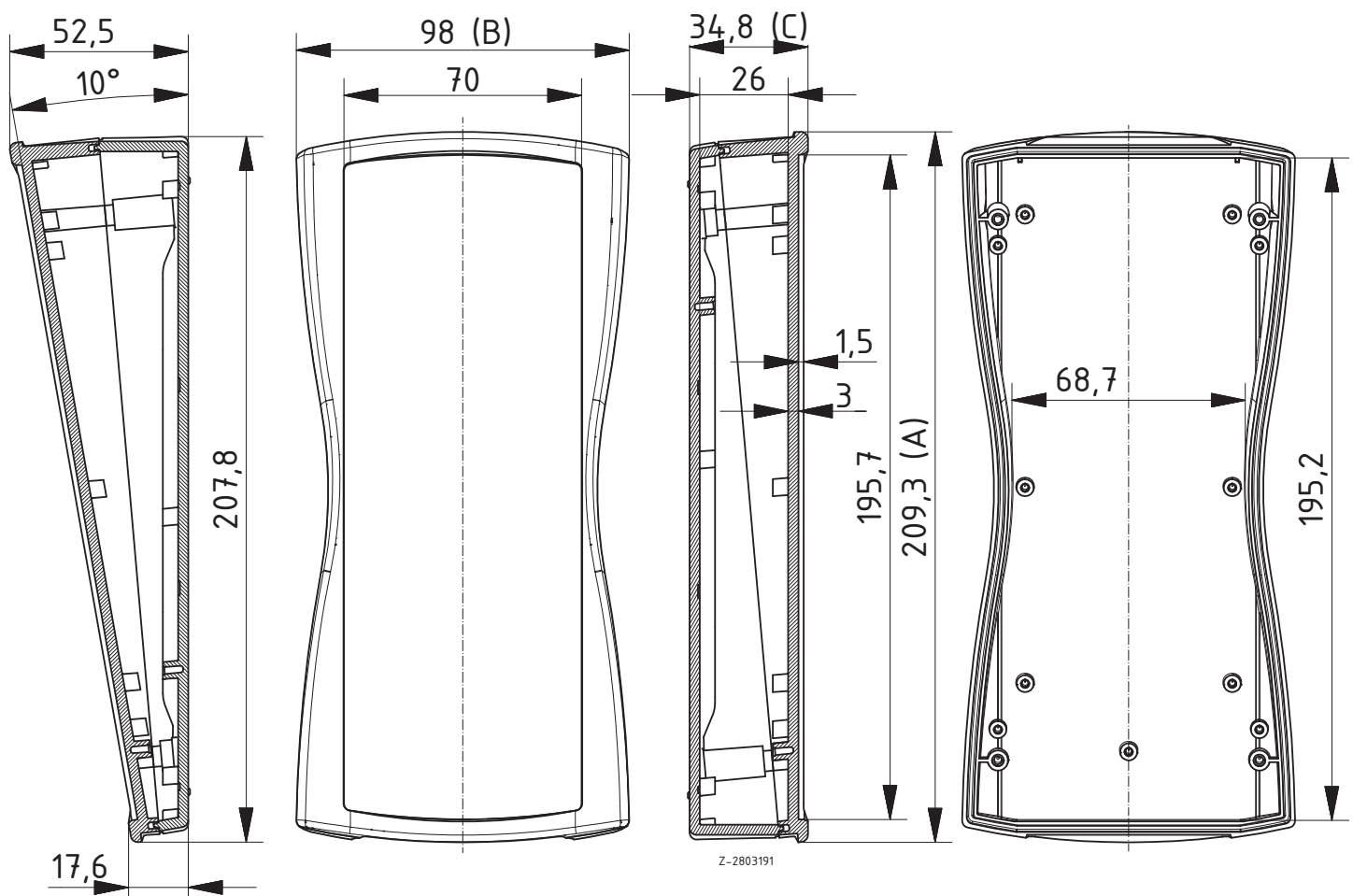
Note: * = Available on request. Upgradable to IP 65 by fitting DI-D.

BOS-Streamline 8..F | with continuous membrane keypad area

BS 804 F with compartment for 4 mignon (AA) batteries, IP 65

Model	Order no.	A	B	C	Colour
BS 804 F-7024	82804124	209,3	98	34,8	Graphite grey
BS 804 F-7035	82804135	209,3	98	34,8	Light grey
BS 804 F-S	82804100*	209,3	98	34,8	Silver

Scope of delivery: Lid and base including seal, 4 screws, battery compartment lid, battery compartment seal, screws, battery contacts



BOS-Streamline 8..DIS | with display screen and membrane keypad area



BS 800 DIS without battery compartment, IP 40 (IP 65)

Model	Order no.	A	B	C	Colour
BS 800 DIS-7024	82800224	209,3	98	34,8	Graphite grey
BS 800 DIS-7035	82800235	209,3	98	34,8	Light grey
BS 800 DIS-S	82800200*	209,3	98	34,8	Silver

Scope of delivery: Lid and base, display screen, adhesive film, 4 screws

Note: * = Available on request. Upgradable to IP 65 by fitting DI-D.



BS 802 DIS without battery compartment, IP 65

Model	Order no.	A	B	C	Colour
BS 802 DIS-7024	82802224	209,3	98	34,8	Graphite grey
BS 802 DIS-7035	82802235	209,3	98	34,8	Light grey
BS 802 DIS-S	82802200*	209,3	98	34,8	Silver

Scope of delivery: Lid and base including seal, display screen, adhesive film, 4 screws



BS 801 DIS with compartment for 4 mignon (AA) batteries, IP 40

Model	Order no.	A	B	C	Colour
BS 801 DIS-7024	82801224	209,3	98	34,8	Graphite grey
BS 801 DIS-7035	82801235	209,3	98	34,8	Light grey
BS 801 DIS-S	82801200*	209,3	98	34,8	Silver

Scope of delivery: Lid and base, display screen, adhesive film, 4 screws, battery compartment lid, screws, battery contacts



BS 803 DIS with compartment for 4 mignon (AA) batteries, IP 40 (IP 65)

Model	Order no.	A	B	C	Colour
BS 803 DIS-7024	82803224	209,3	98	34,8	Graphite grey
BS 803 DIS-7035	82803235	209,3	98	34,8	Light grey
BS 803 DIS-S	82803200*	209,3	98	34,8	Silver

Scope of delivery: Lid and base, display screen, adhesive film, 4 screws, battery compartment lid, battery compartment seal, screws, battery contacts

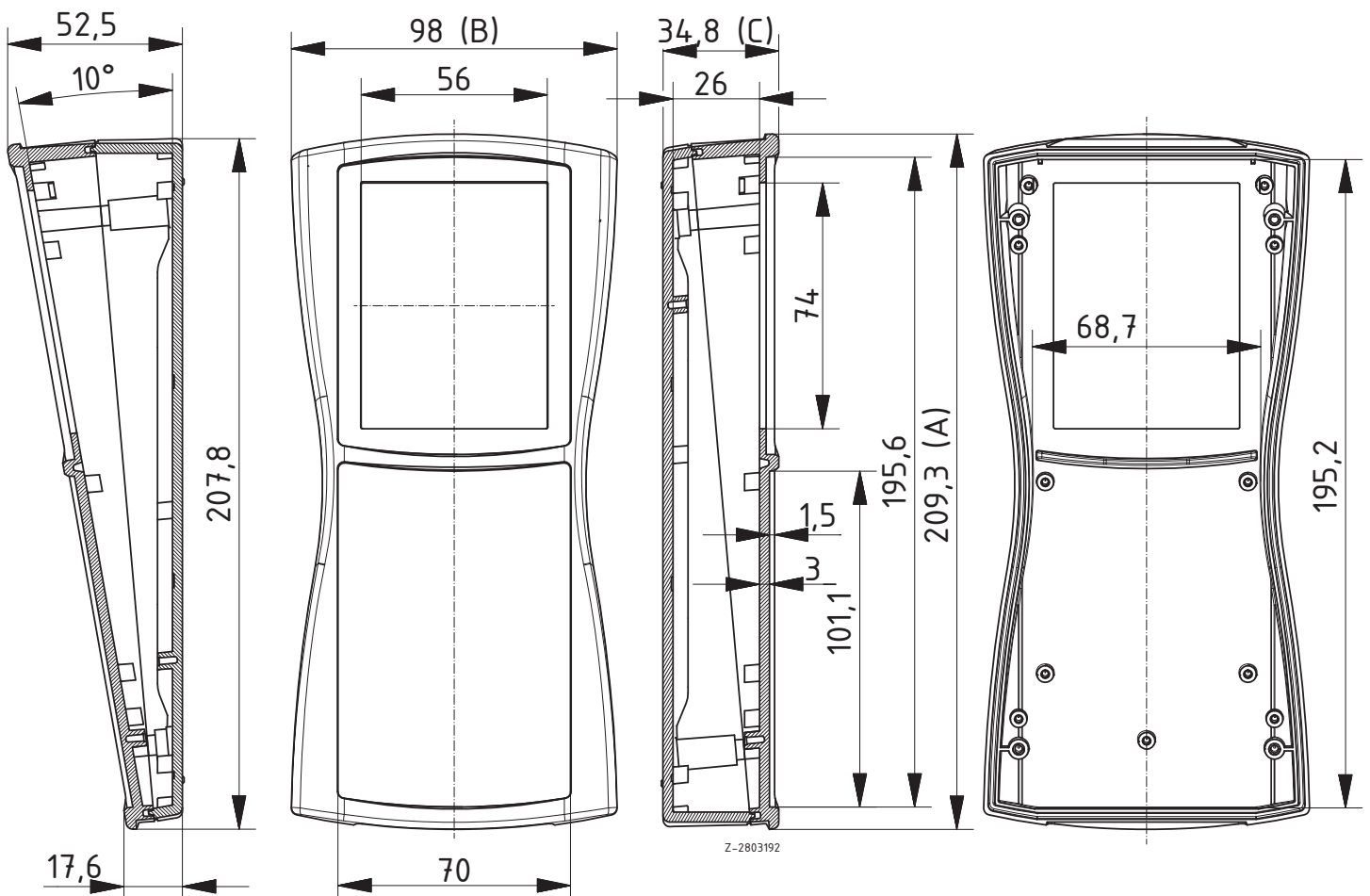
Note: * = Available on request. Upgradable to IP 65 by fitting DI-D.

BOS-Streamline 8..DIS | with display screen and membrane keypad area

BS 804 DIS with compartment for 4 mignon (AA) batteries, IP 65

Model	Order no.	A	B	C	Colour
BS 804 DIS-7024	82804224	209,3	98	34,8	Graphite grey
BS 804 DIS-7035	82804235	209,3	98	34,8	Light grey
BS 804 DIS-S	82804200*	209,3	98	34,8	Silver

Scope of delivery: Lid and base including seal, display screen, adhesive film, 4 screws, battery compartment lid, battery compartment seal, screws, battery contacts



For accessories, please see the end of the chapter

BOS-Streamline | accessories



Decor seals

Model	Order no.	Colour	Note
BS 200 DI-D-1003	82821003	Signal yellow	For BS 200
BS 200 DI-D-3001	82823001	Signal red	For BS 200
BS 200 DI-D-5005	82825005	Signal blue	For BS 200
BS 200 DI-D-6032	82826032	Signal green	For BS 200
BS 200 DI-D-7024	82827024	Graphite grey	For BS 200
BS 400 DI-D-1003	82841003	Signal yellow	For BS 400
BS 400 DI-D-3001	82843001	Signal red	For BS 400
BS 400 DI-D-5005	82845005	Signal blue	For BS 400
BS 400 DI-D-6032	82846032	Signal green	For BS 400
BS 400 DI-D-7024	82847024	Graphite grey	For BS 400
BS 500 DI-D-1003	82851003	Signal yellow	For BS 500
BS 500 DI-D-3001	82853001	Signal red	For BS 500
BS 500 DI-D-5005	82855005	Signal blue	For BS 500
BS 500 DI-D-6032	82856032	Signal green	For BS 500
BS 500 DI-D-7024	82857024	Graphite grey	For BS 500
BS 600 DI-D-1003	82861003	Signal yellow	For BS 600
BS 600 DI-D-3001	82863001	Signal red	For BS 600
BS 600 DI-D-5005	82865005	Signal blue	For BS 600
BS 600 DI-D-6032	82866032	Signal green	For BS 600
BS 600 DI-D-7024	82867024	Graphite grey	For BS 600
BS 700 DI-D-1003	82871003	Signal yellow	For BS 700
BS 700 DI-D-3001	82873001	Signal red	For BS 700
BS 700 DI-D-5005	82875005	Signal blue	For BS 700
BS 700 DI-D-6032	82876032	Signal green	For BS 700
BS 700 DI-D-7024	82877024	Graphite grey	For BS 700
BS 800 DI-D-1003	82881003	Signal yellow	For BS 800
BS 800 DI-D-3001	82883001	Signal red	For BS 800
BS 800 DI-D-5005	82885005	Signal blue	For BS 800
BS 800 DI-D-6032	82886032	Signal green	For BS 800
BS 800 DI-D-7024	82887024	Graphite grey	For BS 800

Scope of delivery: Decor seal, 4 screws; BS 200 DI-D-... 1 screw

Note: Not for use with BS .02 and BS .04.



Decor seals for loop for attaching lanyard

Model	Order no.	Colour	Note
BS 500 DI-D-1003-LO	82851103	Signal yellow	For BS 500
BS 500 DI-D-3001-LO	82853101	Signal red	For BS 500
BS 500 DI-D-5005-LO	82855105	Signal blue	For BS 500
BS 500 DI-D-6032-LO	82856132	Signal green	For BS 500
BS 500 DI-D-7024-LO	82857124	Graphite grey	For BS 500
BS 500 DI-D-1003-LU	82851203	Signal yellow	For BS 500
BS 500 DI-D-3001-LU	82853201	Signal red	For BS 500
BS 500 DI-D-5005-LU	82855205	Signal blue	For BS 500
BS 500 DI-D-6032-LU	82856232	Signal green	For BS 500
BS 500 DI-D-7024-LU	82857224	Graphite grey	For BS 500

Scope of delivery: Seal with bracket up or down, 4 screws

Note: LO = bracket up, LU = bracket down. Not for use with BS 502 and BS 504.

BOS-Streamline | accessories

Screw covers for enclosure screws

Model	Order no.	Colour
BS SA-7024	82800011	Graphite grey
BS SA-7035	82800010	Light grey

Scope of delivery: 20 pieces

Note: The screw covers are not required if decor seal DI-D is fitted (Exception: BS 200 / 202).



Screw-on lanyard loop

Model	Order no.	Colour
OE-7035	59907035	Light grey, similar to RAL 7035
OE-7024	59907024	Graphite grey, similar to RAL 7024
OE-7038	59907038	Agate grey, similar to RAL 7038
OE-9005	59909005	Black, similar to RAL 9005

Scope of delivery: 5 screw-on lanyard loops including fixing material

Note: Mechanical enclosure processing on request. Load-carrying capacity: max. 15 kg (150 N). Up to protection class IP 65/DIN EN 60529 is possible.



Universal clip

Model	Order no.	Colour
UC1 - 7024	34197024	Graphite grey, similar to RAL 7024
UC1 - 7035	34197035	Light grey, similar to RAL 7035
UC1 - 7038	34197038	Agate grey, similar to RAL 7038
UC1 - 9005	34199005	Black, similar to RAL 9005

Scope of delivery: 1 clip incl. fixing material

Note: Mechanical processing and mounting on request.

The fitting of the clip does not affect the protection class of the enclosure (IP 65).

