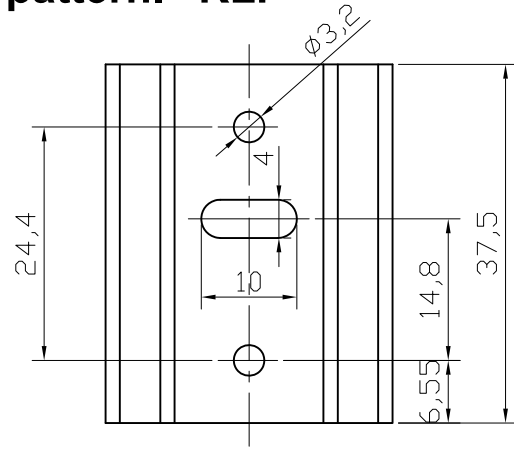
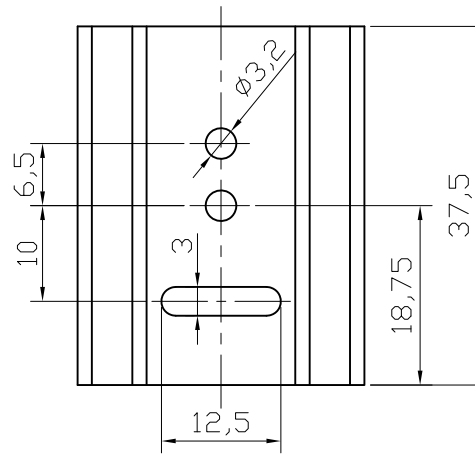


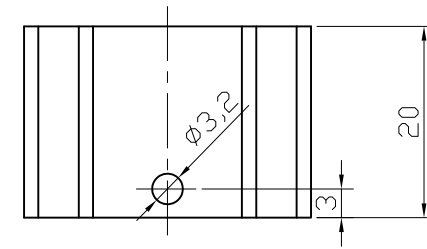
Hole pattern: KLP



KLM

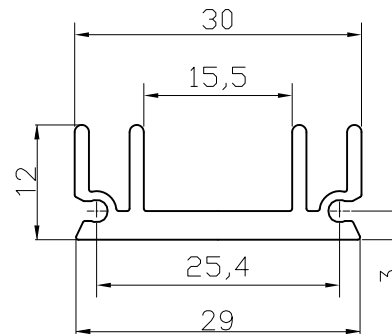


TO-220




Material: AL6063-T5
Finish: Black anodized

| P/N | Hole pattern | Thermal resistance (K/W) |
|--------|--------------|--------------------------|
| V6560N | TO-220 | 15 |
| V6560K | KLP | 13 |
| V6560R | KLM | 13 |



RoHS compliant
Unit:mm

| | | | | | | | | | | |
|-----------|-------|-----|--------------|------|------|---|------------|------|----------------------------------|--|
| Scale | Free | | | | | | Date | Name | Customer-No. | |
| TOLERANCE | | | | | | Drawn | 16.01.2013 | Amy | ASSMANN WSW-No. V6560x | |
| | | | | | | Approved | 16.01.2013 | Amy | | |
| DIM | ±0.25 | | | | |  | | | Drawing-No. | |
| | | | | | | | | | ASS 2067 HS | |
| Angle | TOL | Id. | Modification | Date | Name | Replace | | | Sheet | |

1

2

3

4

5

6

7