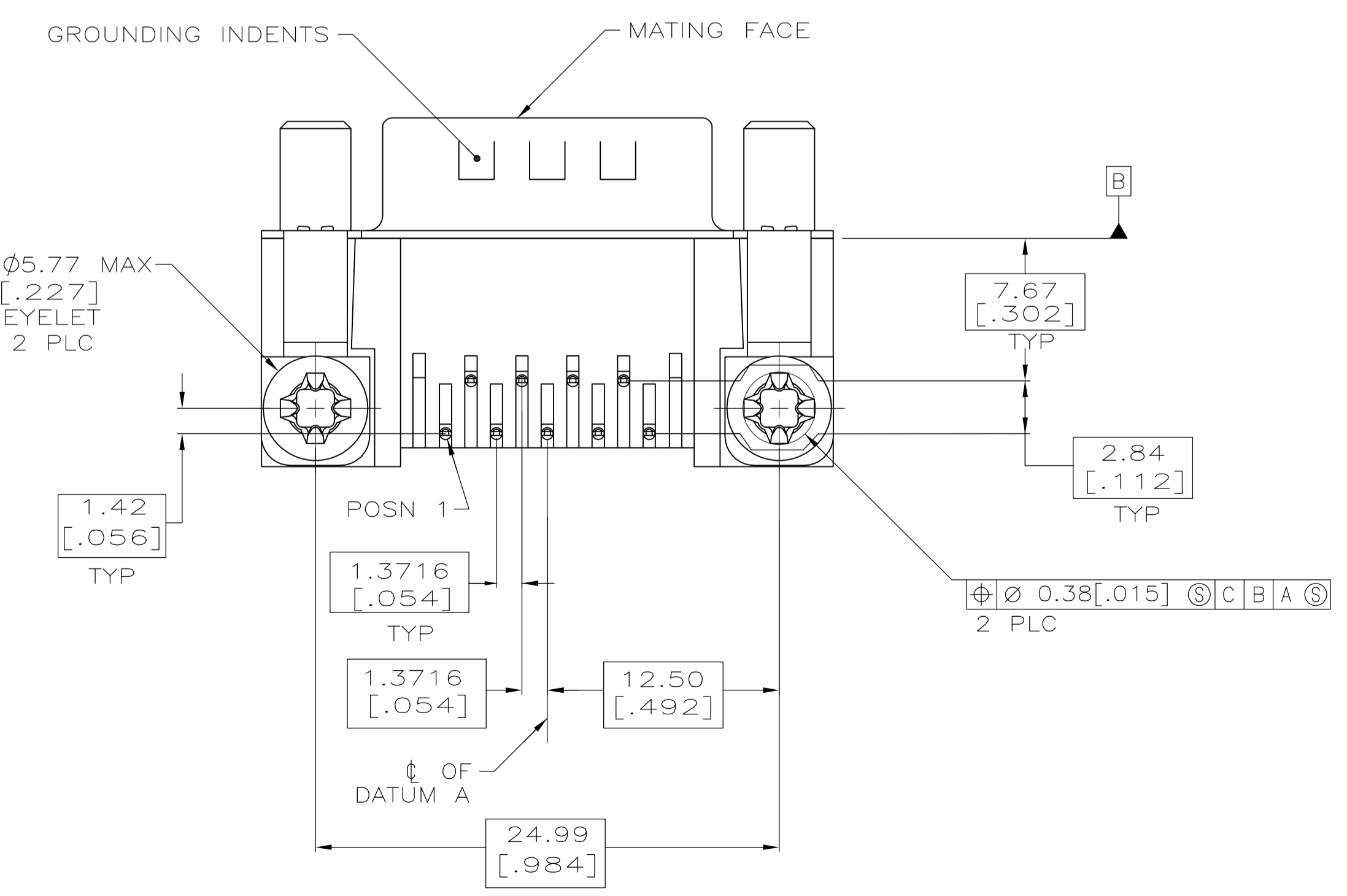
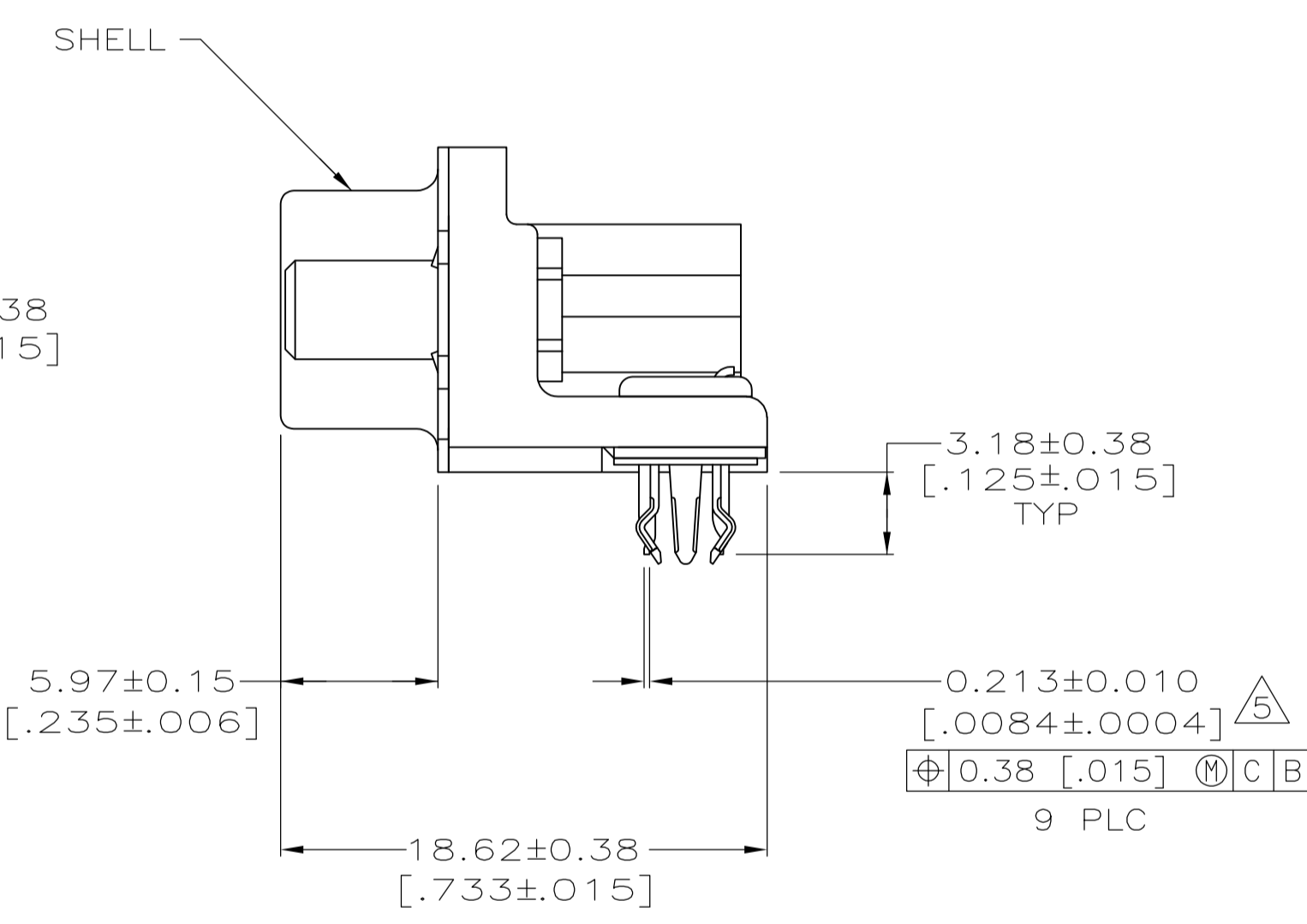
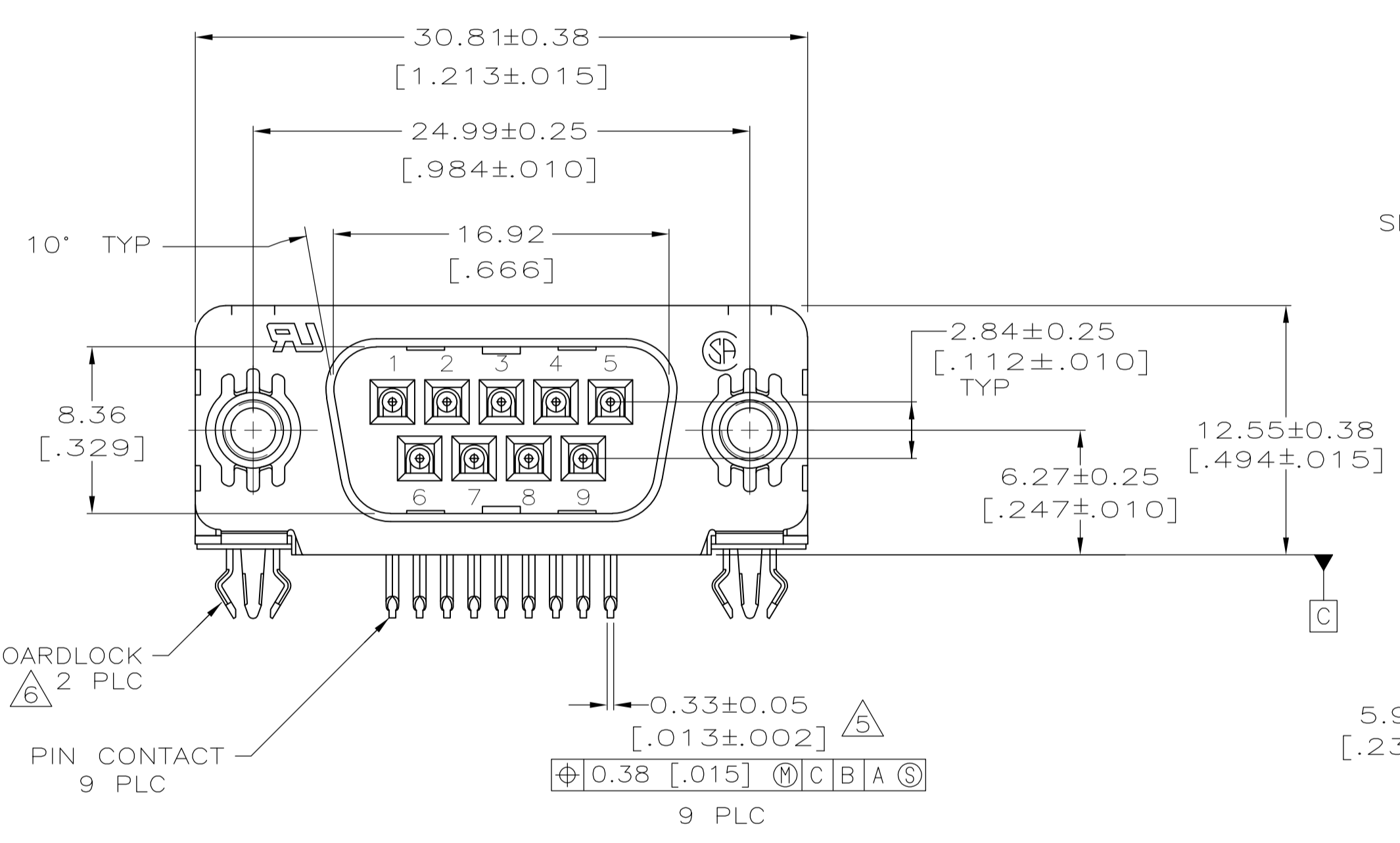
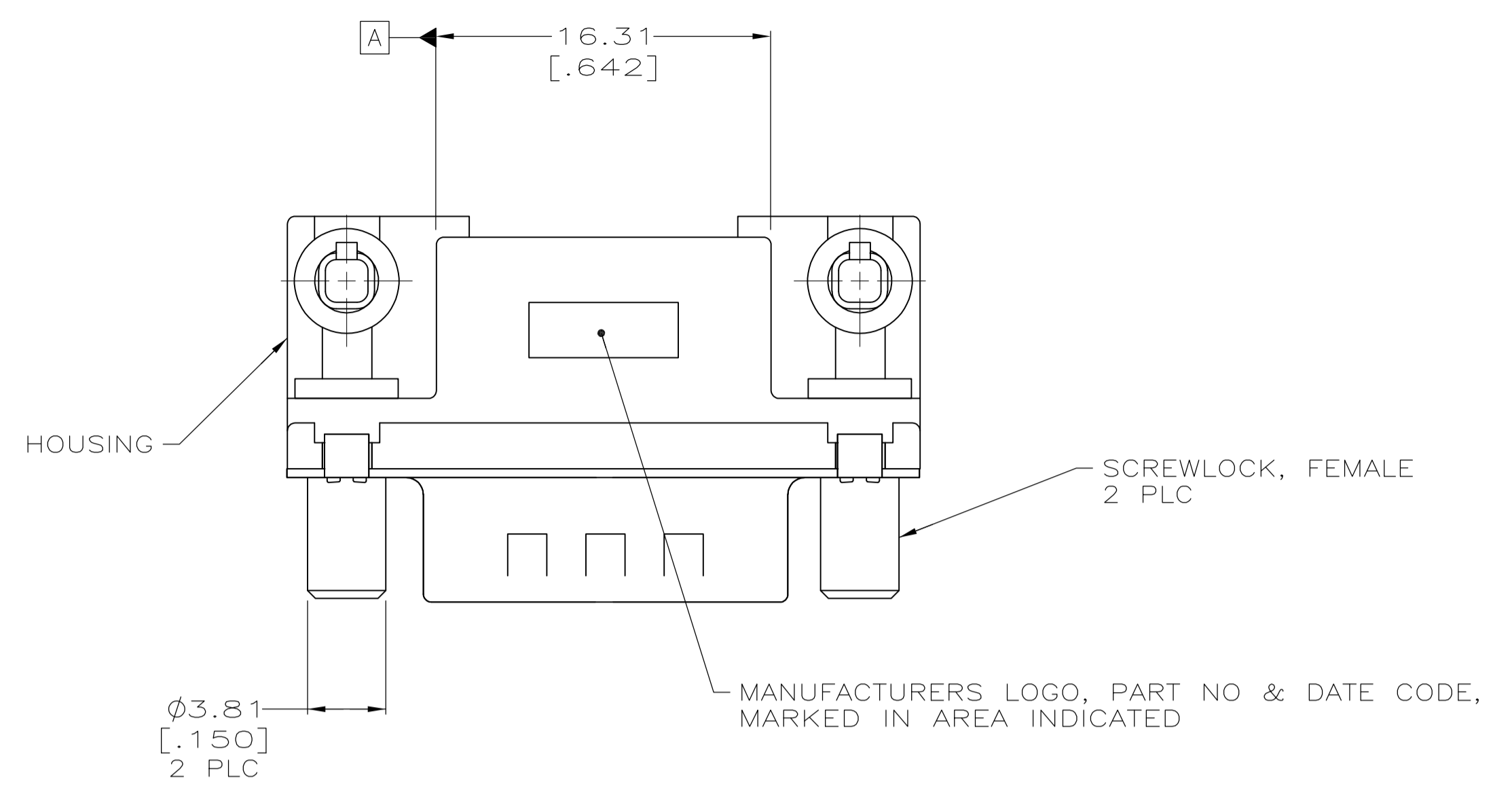
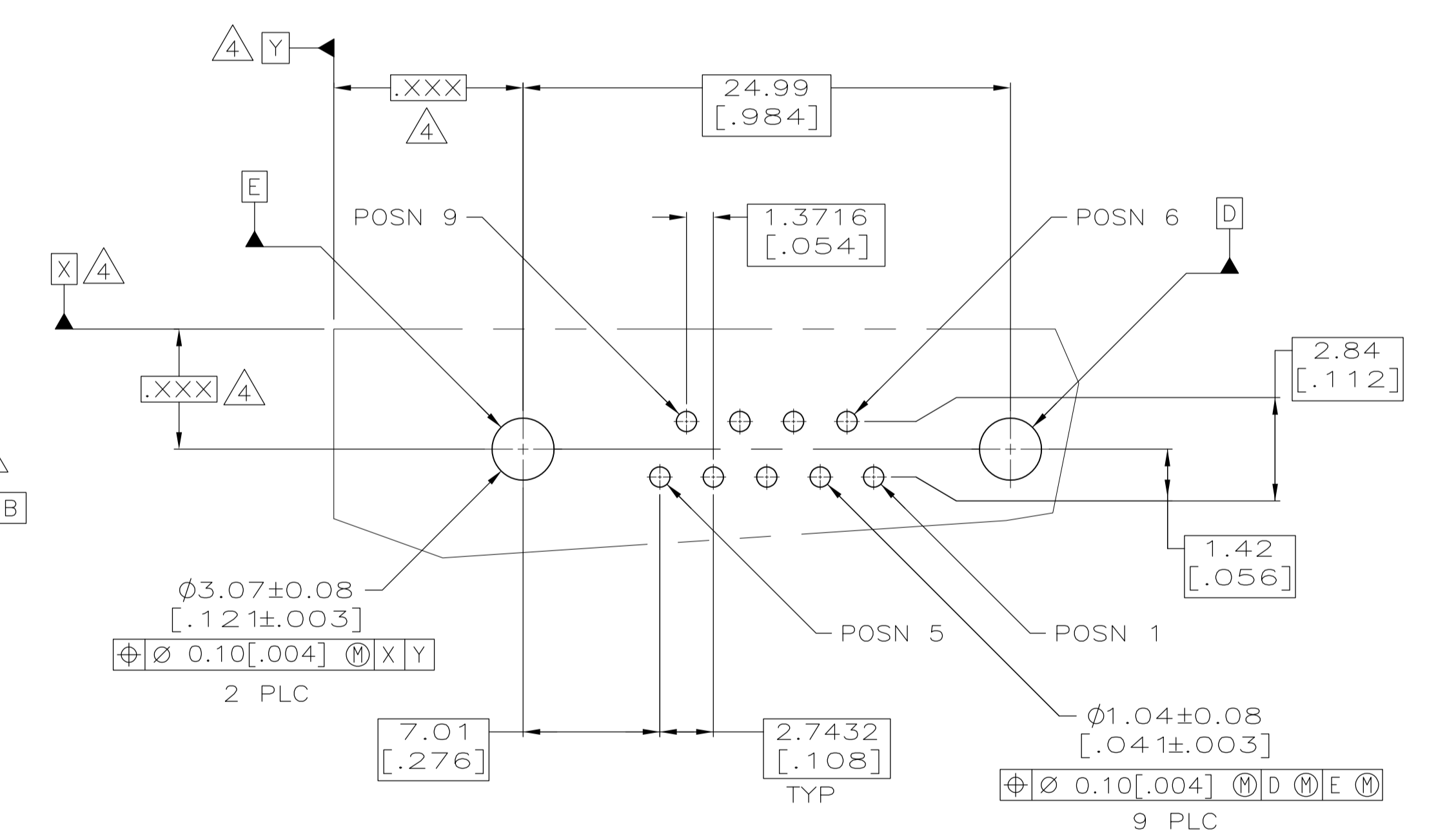


| LOC |                           | DIST |           | REVISIONS |     |      |  |
|-----|---------------------------|------|-----------|-----------|-----|------|--|
| GP  | 00                        | REV  | DATE      | BY        | CHK | APPV |  |
| C   | REVISED PER ECO-12-022391 |      | 02JAN2013 | CJV       | SLB |      |  |



- 1 HOUSING: NYLON, THERMOPLASTIC, UL 94VO RATED, BLACK.  
SHELL: CARBON STEEL,  
PIN CONTACTS: BRASS.  
EYELETS: BRASS.  
SCREWLOCKS: ZINC.  
BOARDLOCKS: COPPER ALLOY.
- 2 PIN CONTACTS: 0.76µm[.000030] MIN GOLD PLATE ON THE MATING SURFACES, 2.54µm[.000100] MIN TIN PLATE ON THE SOLDER END, 1.27µm[.000050] MIN NICKEL UNDERPLATE ON THE ENTIRE CONTACT  
-OR-  
GOLD FLASH OVER PALLADIUM-NICKEL PLATE, 0.76µm[.000030] MIN TOTAL ON THE MATING SURFACES, 2.54µm[.000100] MIN TIN PLATE ON THE SOLDER END, 1.27µm[.000050] MIN NICKEL UNDERPLATE ON THE ENTIRE CONTACT.  
EYELETS: 2.54µm[.000100] MIN TIN OVER COPPER FLASH.  
SHELL: 2.54µm[.000100] MIN TIN OVER 1.27µm[.000050] MIN COPPER.  
SCREWLOCKS: CLEAR CHROMATE.  
BOARDLOCKS: 3.81µm[.000150] MIN TIN OVER 1.27µm[.000050] MIN NICKEL.
- 3 PIN CONTACTS: GOLD FLASH ON THE MATING SURFACES, 2.54µm[.000100] MIN TIN PLATE ON THE SOLDER END, 1.27µm[.000050] MIN NICKEL UNDERPLATE ON THE ENTIRE CONTACT.  
EYELETS: 2.54µm[.000100] MIN TIN OVER COPPER FLASH.  
SHELL: 2.54µm[.000100] MIN TIN OVER 1.27µm[.000050] MIN COPPER.  
SCREWLOCKS: CLEAR CHROMATE.  
BOARDLOCKS: 3.81µm[.000150] MIN TIN OVER 1.27µm[.000050] MIN NICKEL.
- 4 DATUMS AND BASIC DIMENSIONS ESTABLISHED BY CUSTOMER.
- 5 POSITION TOLERANCE APPLIES AT CONTACT TIP.
- 6 BOARDLOCKS WILL ACCEPT .062 MAX PRINTED CIRCUIT BOARD THICKNESS.
- 7. COMPATIBLE WITH TYPICAL HIGH TEMPERATURE SOLDERING APPLICATIONS TO A MAXIMUM OF 225°C FOR A MAXIMUM DURATION OF 90 SECONDS. TEMPERATURE TO BE MEASURED ON CONNECTOR SURFACE.



|           |             |
|-----------|-------------|
| 5788793-2 |             |
| 5788793-1 |             |
| FINISH    | PART NUMBER |

|  |               |  |     |                       |  |                          |  |              |  |
|--|---------------|--|-----|-----------------------|--|--------------------------|--|--------------|--|
| THIS DRAWING IS A CONTROLLED DOCUMENT. DIMENSIONING AND TOLERANCING PER ASME Y14.5M-2009 |               | DIN L VARELA - DOCKS 04-11-05          |     | CHK S BOLASH 04-11-05 |  | APVD M WALMSLEY 04-11-05 |  | NAME         |  |
| DIMENSIONS: mm(INCHES)   |               | TOLERANCES UNLESS OTHERWISE SPECIFIED: |     | PRODUCT SPEC          |  | APPLICATION SPEC         |  | SIZE         |  |
| 0 PLC  | ± .           | 1 PLC                                  | ± . | 108-40025             |  | 114-40010                |  | A1           |  |
| 2 PLC  | ± 0.13 [.005] | 3 PLC                                  | ± . | RESTRICTED TO         |  | SCALE 4:1                |  | SHEET 1 OF 1 |  |
| 4 PLC  | ± .           | ANGLES                                 | ± ° | CUSTOMER DRAWING      |  | SCALE 4:1                |  | SHEET 1 OF 1 |  |
| MATERIAL   |               | FINISH                                 |     | WEIGHT                |  | DRAWING NO               |  | REV          |  |
| SEE TABLE  |               | SEE TABLE                              |     | -                     |  | 00779                    |  | 5788793      |  |

**COPYRIGHT 2005  
TYCO ELECTRONICS CORP  
ALL RIGHTS RESERVED**