

## AET Series

25 - 30 Watts

### Data Sheet

**Total Power:** 25 - 30 Watts  
**Input Voltage:** 12, 24 or 48 V  
**# of Outputs:** Single, Dual

### SPECIAL FEATURES

- Encapsulated
- 4:1 input range
- 1.6" x 2" package
- 1500 Vdc I/O isolation
- Single and Dual output
- Remote on/off
- Adjustable output
- Conducted noise: meets EN 55022 class A, FCC level A

### SAFETY

- CE Mark



### Electrical Specifications

Input	
Input range	9 - 36 VDC; 18 - 75 VDC
Efficiency	85% @ 12 Vo
Output	
Voltage tolerance	2.0%
Line regulation	±0.5%
Load regulation	±0.5%
Cross regulation	Dual output 4%
Noise/ripple	All models: 100 mV
Short circuit protection	Auto-restart
Oversvoltage protection	120 - 130% nominal output
Switching frequency	300 KHz
Temperature co-efficient	±0.02% / °C
Isolation	
I/O isolation	1500 VDC min
Insulation resistance	10 Mohm
Insulation capacitance	1000 pF

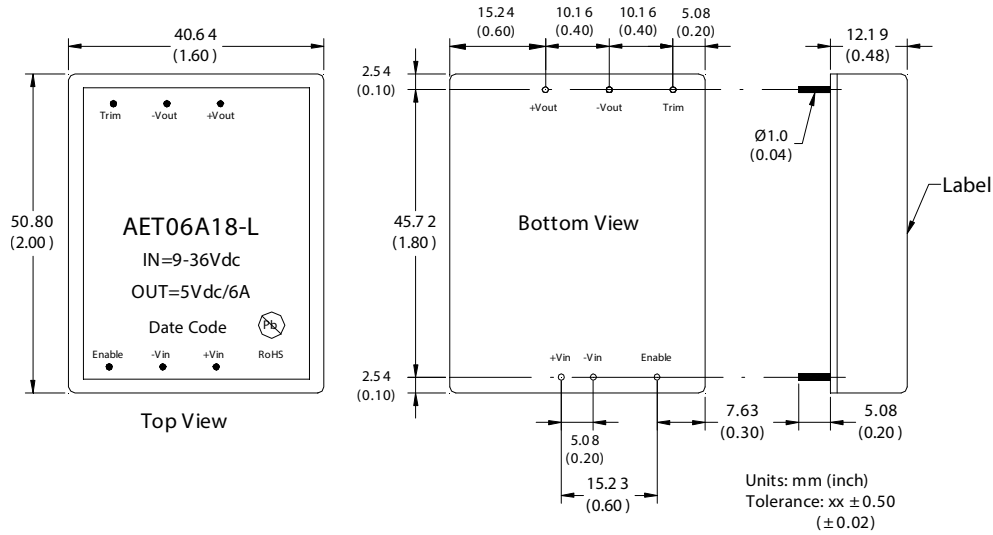
### Environmental Specifications

Operating ambient temperature range	-40 °C to +71 °C
Storage temperature	-55 °C to +105 °C
Humidity	5% to 95% non-condensing
MTBF	500 Khrs calculated

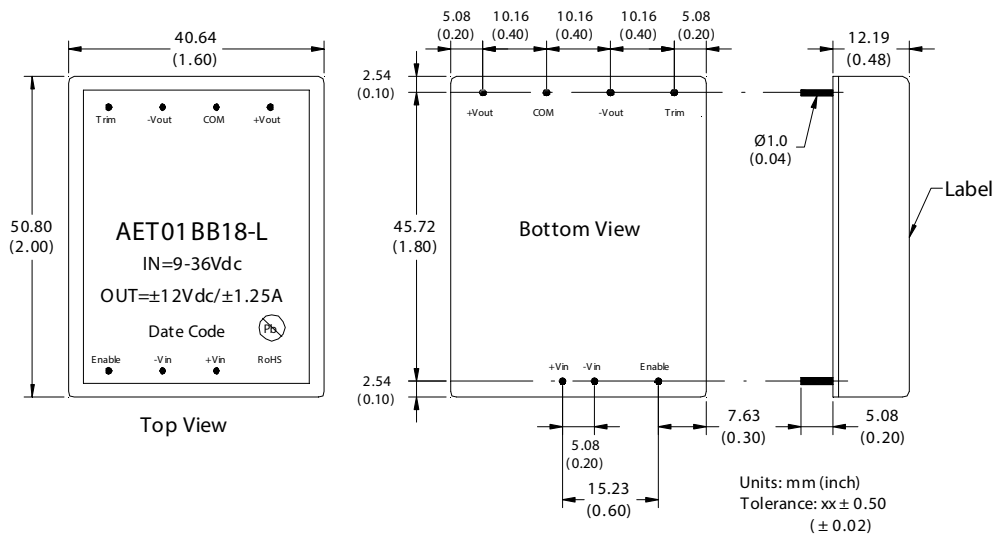
## Ordering Information

Model Number	Input Voltage	Output Voltage 1	Output Voltage 2	Maximum Power
AET08G18L	9 - 36 V	2.5 V @ 8 A		20 W
AET07F18-L	9 - 36 V	3.3 V @ 7 A		23 W
AET06A18-L	9 - 36 V	5 V @ 6 A		30 W
AET02B18-L	9 - 36 V	12 V @ 2.5 A		30 W
AET02C18-L	9 - 36 V	15 V @ 2 A		30 W
AET01BB18-L	9 - 36 V	12 V @ 1.25 A	-12 V @ 1.25 A	30 W
AET01CC18-L	9 - 36 V	15 V @ 1 A	-15 V @ 1 A	30 W
AET08G36-L	18 - 75 V	2.5 V @ 8 A		20 W
AET07F36-L	18 - 75 V	3.3 V @ 7 A		23 W
AET06A36-L	18 - 75 V	5 V @ 6 A		30 W
AET02B36-L	18 - 75 V	12 V @ 2.5 A		30 W
AET02C36-L	18 - 75 V	15 V @ 2 A		30 W
AET01BB36-L	18 - 75 V	12 V @ 1.25 A	-12 V @ 1.25 A	30 W
AET01CC36-L	18 - 75 V	15 V @ 1 A	-15 V @ 1 A	30 W

Mechanical Drawing - Single Output



Mechanical Drawing - Dual Output



WORLDWIDE OFFICES

**Americas**

2900 S.Diablo Way  
Tempe, AZ 85282  
USA  
+1 888 412 7832

**Europe (UK)**

Waterfront Business Park  
Merry Hill, Dudley  
West Midlands, DY5 1LX  
United Kingdom  
+44 (0) 1384 842 211

**Asia (HK)**

14/F, Lu Plaza  
2 Wing Yip Street  
Kwun Tong, Kowloon  
Hong Kong  
+852 2176 3333



www.artesyn.com

While every precaution has been taken to ensure accuracy and completeness in this literature, Artesyn Embedded Technologies assumes no responsibility, and disclaims all liability for damages resulting from use of this information or for any errors or omissions. Artesyn Embedded Technologies, Artesyn and the Artesyn Embedded Technologies logo are trademarks and service marks of Artesyn Embedded Technologies, Inc. All other names and logos referred to are trade names, trademarks, or registered trademarks of their respective owners.  
© 2015 Artesyn Embedded Technologies, Inc.

For more information: [www.artesyn.com/power](http://www.artesyn.com/power)  
For support: [productsupport.ep@artesyn.com](mailto:productsupport.ep@artesyn.com)