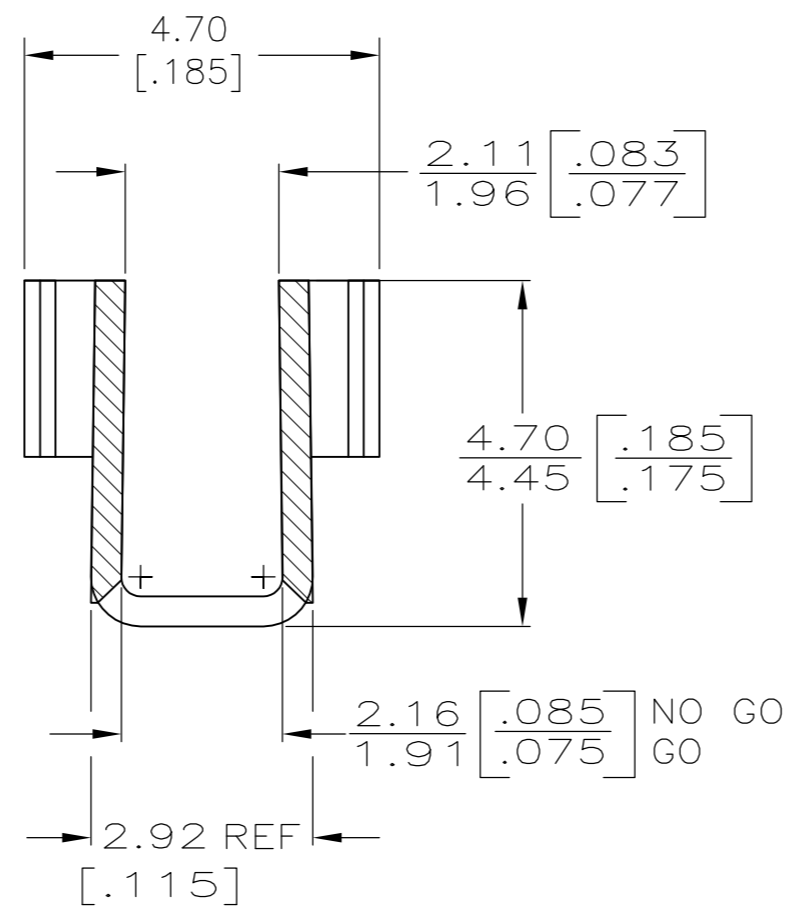
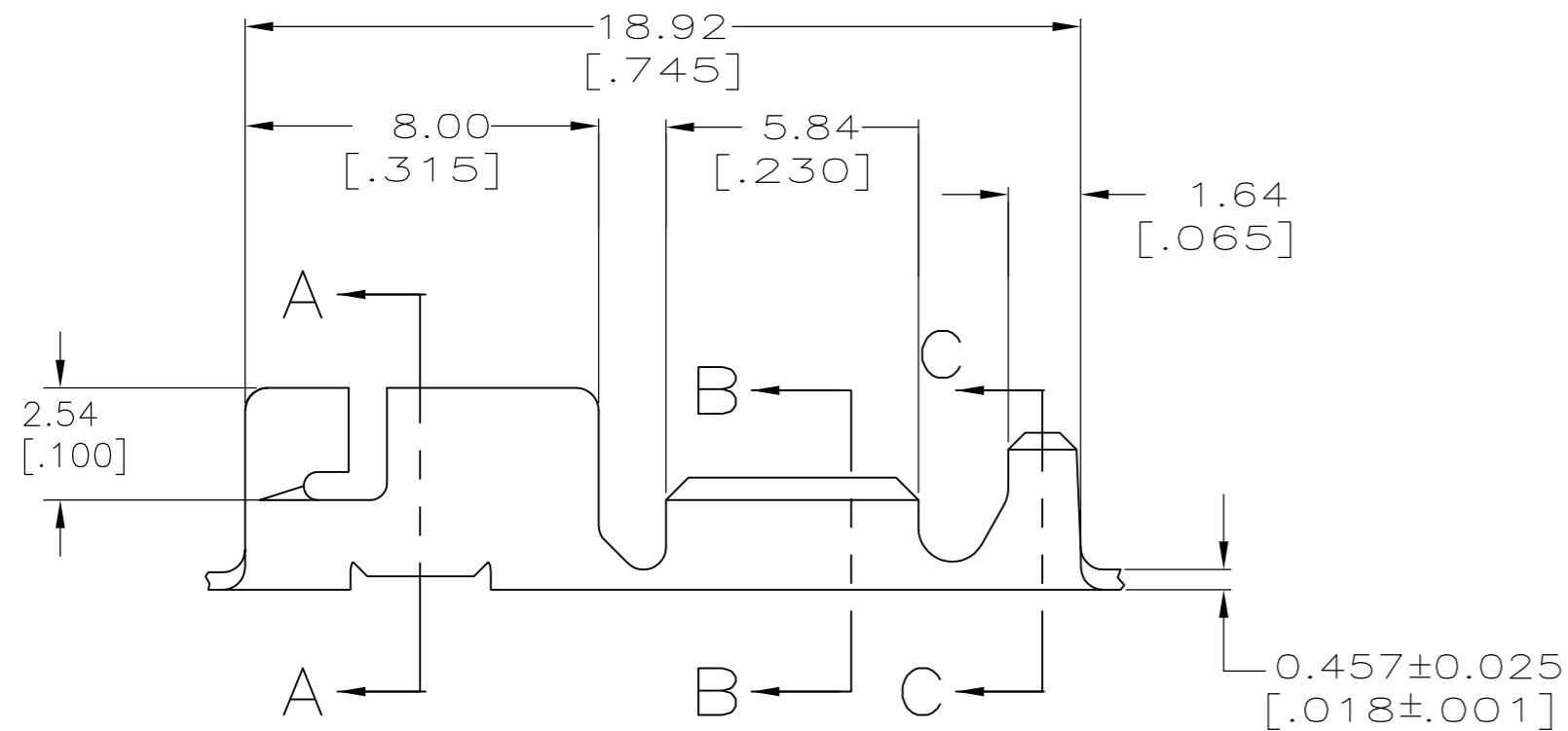
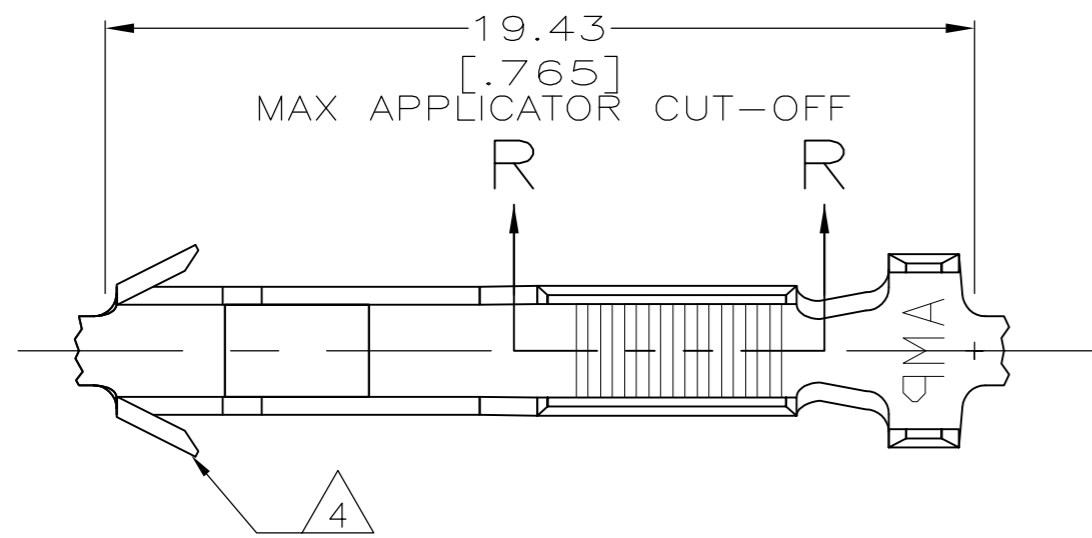


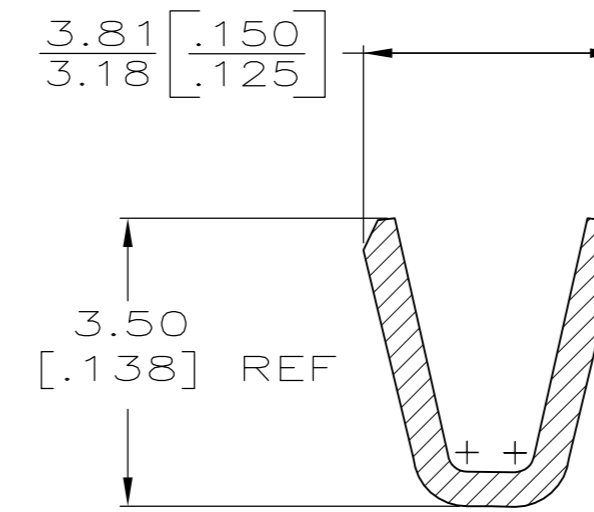
THIS DRAWING IS UNPUBLISHED. RELEASED FOR PUBLICATION  
 © COPYRIGHT - By - ALL RIGHTS RESERVED.

LOC	DIST	REVISIONS			
P	LTR	DESCRIPTION	DATE	DWN	APVD
AF	52	B	REVISED PER ECR-14-006300	28AUG2014	MKD/RRP

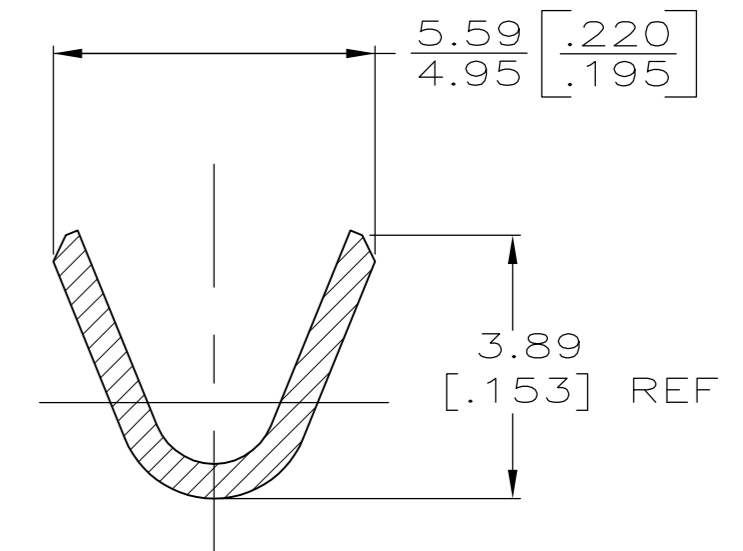


SECTION A-A  
SCALE 10:1

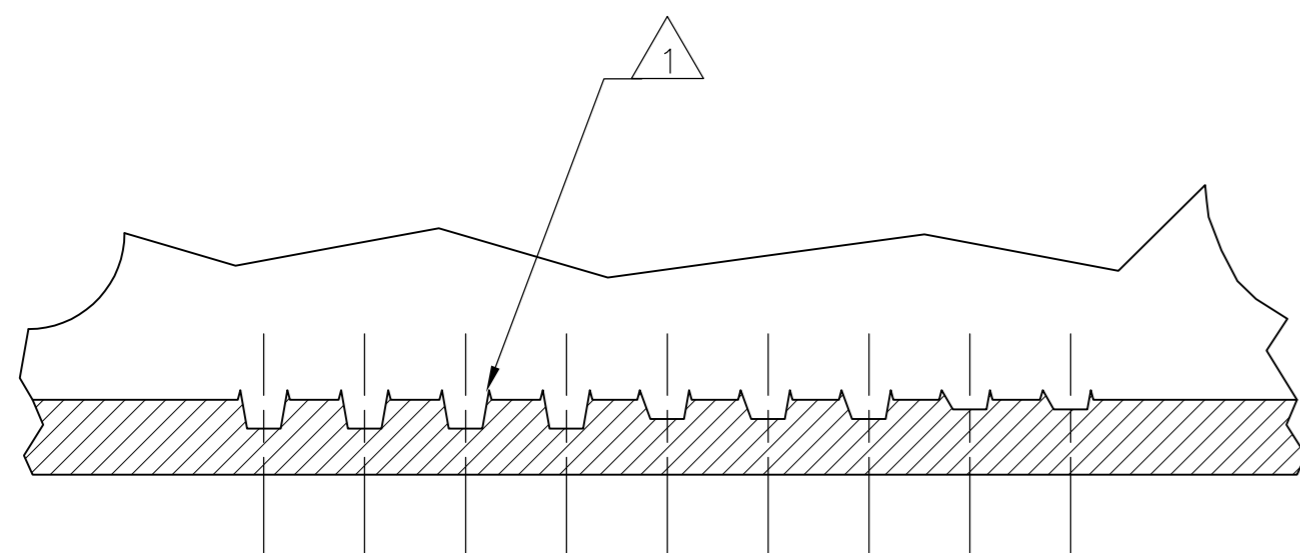
- 1 AMPLIVAR SERRATIONS CONNECT UP TO 3 COPPER OR ALUMINUM MAGNET WIRES WITHOUT THE NEED TO REMOVE THE INSULATION.
- 2 CONTACT TE ENGINEERING FOR ALUMINUM MAGNET WIRE
- 3 SUPPLIED AS CONTINUOUS STRIP WITH TERMINALS ON 21.21 [0.835] CENTERS.
- 4 HIGH RETENTION FEATURE



SECTION B-B  
SCALE 10:1



SECTION C-C  
SCALE 10:1



SECTION R-R  
SCALE 25:1

1.91-3.18 [0.075-.125] DIA	1600-4800 CMA COPPER	1742964-1
INSULATION RANGE	CMA WIRE RANGE	PART NUMBER

THIS DRAWING IS A CONTROLLED DOCUMENT.		DWN JR RUTH 30APR12	TE Connectivity	
DIMENSIONS: mm [INCHES]		CHK GENE JACONO 30APR12	NAME	
TOLERANCES UNLESS OTHERWISE SPECIFIED:		APVD GENE JACONO 30APR12	PRODUCT SPEC	
0 PLC ± -	1 PLC ± -	108-2008		
2 PLC ± 0.25[0.010]	3 PLC ± -	APPLICATION SPEC		
4 PLC ± -	ANGLES ± -	114-2019	SIZE A2	CAGE CODE 00779
MATERIAL H03 TIN-BRASS	FINISH TIN PLATED	WEIGHT -	DRAWING NO C=1742964	RESTRICTED TO -
CUSTOMER DRAWING		SCALE 6:1	SHEET 1 of 1	REV B