

MICRO SWITCH

FREEDPORT ILLINOIS, U.S.A.
A DIVISION OF HONEYWELL
FED. MFG. CODE 91829

SWITCH-BASIC

CATALOG LISTING

V3L-2163

CQX1407

V3L-2163

M

DRAWING NUMBER

2

ISSUE

3

REPLACES

PR-3319

RELEASE NO.

CHECK

REVISIONS

A	CO	58821
SMA		
28 SEPT 66		
B	CO	76300
JOB		
19 NOV 93		

CHECK

27 APR 73

LSD

73

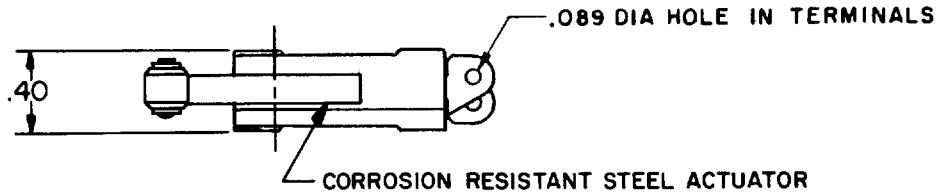
APR

R C

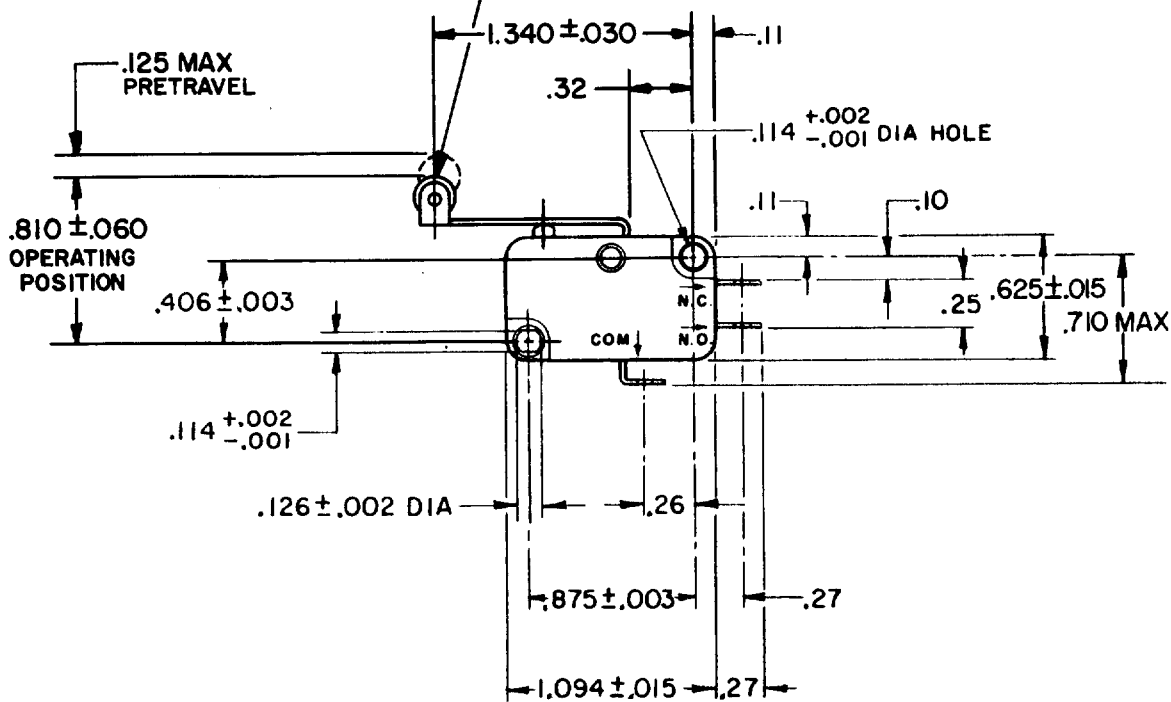
127

FO-52848

DRAWN



.19 DIA X .19 WIDE OIL BRONZE ROLLER
(CONCENTRICITY .005 TIR)



NOTE -
1- TERMINALS ARE PLATED FOR SOLDERING

THIS DRAWING COVERS A PROPRIETARY ITEM AND IS THE PROPERTY OF MICRO SWITCH, A DIVISION OF HONEYWELL. THIS DRAWING IS NOT TO BE COPIED OR USED WITHOUT THE APPROVAL OF MICRO SWITCH.

CHARACTERISTICS	ELECTRICAL DATA	SCALE FULL
OPERATING FORCE -----31 GRAM MAX	CONTACT ARRANGEMENT S P D T	DO NOT SCALE PRINT
RELEASE FORCE -----2 GRAM MIN	-L131- 10A-1/4HP-125 OR 250 VAC 1/2A-125 VDC; 1/4A-250 VDC 3A-125 VAC "L" RJ	UNLESS OTHERWISE NOTED DIMENSIONS ARE IN INCHES TOLERANCES ARE
DIFFERENTIAL TRAVEL -----.030 MAX		ONE PLACE (.0) ± .030
OVERTRAVEL -----.085 MIN		TWO PLACE (.00) ± .015
RELEASE TRAVEL -----.016 MIN		THREE PLACE (.000) ± .005
		ANGLES ±
		WEIGHT