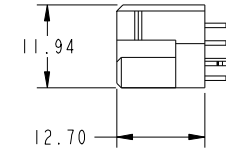
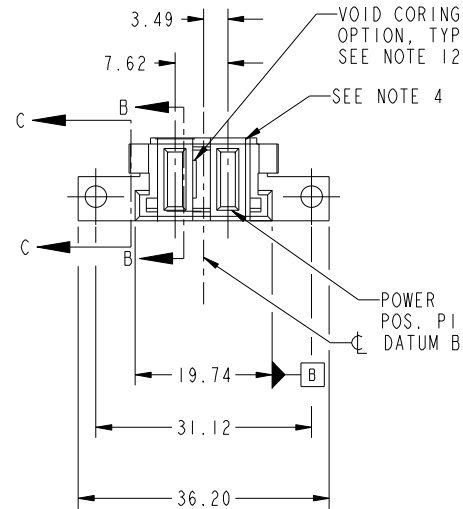


Tous droits strictement reserves. Reproduction ou communication a des tiers interdite sous quelque forme que ce soit sans autorisation écrite du propriétaire. Propriete de c FCI. Droits de reproduction FCI.



All rights strictly reserved. Reproduction or issue to third parties in any form whatever is not permitted without written authority from the proprietor. Property of FCI. Copyright FCI.

PRODUCT NO. 51940-366-- NOTE: 3	POWER			
	E2	P2	P1	E1



CODE	DIM "M" MATING LENGTH	CONTACT TYPE
PD	[2.34]	POWER
HA	[N/A]	HOLD-DOWN

mat'l code				SEE NOTES		tolerances unless otherwise specified		CUSTOMER		FCI www.fciconnect.com	
ltr	ecp no.	dr	date	linear	0.X ±0.5	projection		COPY		title	
A	DG11-0002	X0	01/11/11	angles	0.XX ±0.25	MIM		2ACP		VERTICAL SOLDER RECEPT	
				dr	0.XXX ±0.1	scale		product family		code	
				enr	0° ±2°	1:1		PwrBlade		213	
				chr	X0 Wong 01/11/11	A		size		sheet	
				appd	Anson Liu 01/11/11	A		dwg no		1 of 4	
					PM Zheng 01/11/11	A		51940-366			
					Joseph Hsia 01/11/11	A					
sheet index	revision sheet	A	A	A	A	cage code		22526		4	
1	2	3	4								

Pro/E

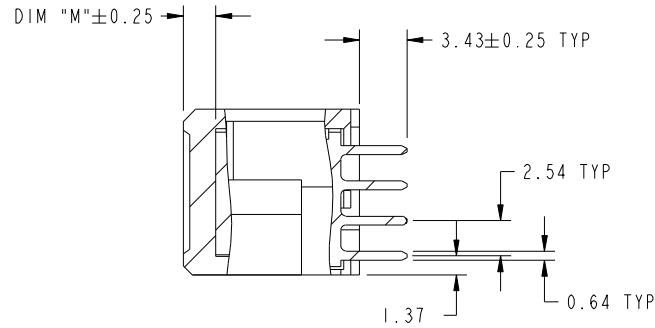
cage code 22526

Tous droits strictement reserves. Reproduction ou communication a des tiers interdite sous quelque forme que ce soit sans autorisation écrite du propriétaire. Propriete de c FCI. Droits de reproduction FCI.

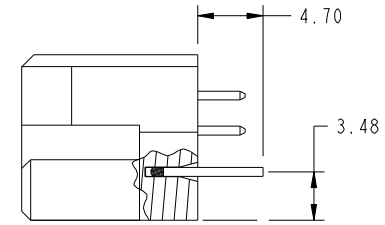
All rights strictly reserved. Reproduction or issue to third parties in any form whatever is not permitted without written authority from the proprietor. Property of FCI. Copyright FCI.



PRODUCT NUMBER
51940-366_
NOTE: 3



SECTION B-B
SCALE 2:1



SECTION C-C
SCALE 2:1

mat'l code				tolerances unless otherwise specified			CUSTOMER		FCI		www.fciconnect.com	
ltr	ecr no.	dr	date	linear	0.X ±0.5		COPY		projection	title		
A					0.XX ±0.25		MIM			2ACP		
					0.XXX ±0.1		← MIM →			VERTICAL SOLDER RECEPT		
				angles	0° ±2°		scale		product family		code	
				dr	X0 Wang	01/11/11	1:1		PwrBlade		213	
				enr	Anson Liu	01/11/11	A		size		sheet	
				chr	PM Zheng	01/11/11			dwg no		2 of 4	
				appd	Joseph Hsia	01/11/11			51940-366			
sheet index		revision sheet										

Pro/E

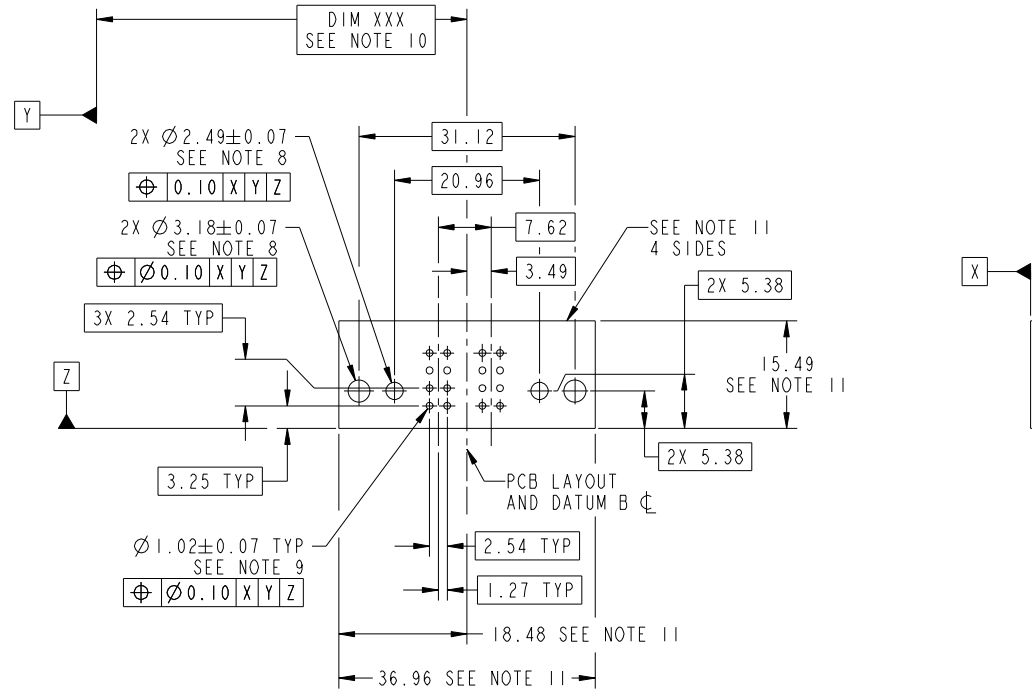
cage code 22526

Tous droits strictement réservés. Reproduction ou communication a des tiers interdite sous quelque forme que ce soit sans autorisation écrite du propriétaire. Propriété de c FCI. Droits de reproduction FCI.



All rights strictly reserved. Reproduction or issue to third parties in any form whatever is not permitted without written authority from the proprietor. Property of FCI. Copyright FCI.

PRODUCT NUMBER
51940-366_
NOTE: 3



RECOMMENDED PCB LAYOUT

mat'l code				tolerances unless otherwise specified		CUSTOMER		FCI	
ltr	ecn no.	dr	date	linear	0.X ± 0.5	COPY		www.fciconnect.com	
A					0.XX ± 0.25	projection		title 2ACP VERTICAL SOLDER RECEPT	
				angles	0.XXX ± 0.1			product family PwrBlade code 213	
				dr	X0 Wang 01/11/11	MIM		size dwg no 51940-366 sheet 3 of 4	
				enr	Anson Liu 01/11/11			scale A	
				chr	PM Zheng 01/11/11	1:1			
				appd	Joseph Hsia 01/11/11				
sheet index		revision sheet							

cage code 22526

Pro/E

Tous droits strictement reserves. Reproduction ou communication a des tiers interdite sous quelque forme que ce soit sans autorisation écrite du propriétaire. Propriete de c FCI. Droits de reproduction FCI.



All rights strictly reserved. Reproduction or issue to third parties in any form whatever is not permitted without written authority from the proprietor. Property of FCI. Copyright FCI.

PRODUCT NUMBER
51940-366--
NOTE: 3

NOTES:

1. DIMENSIONS AND TOLERANCES ARE IN ACCORDANCE WITH ASME Y14.5M, 1994 UNLESS OTHERWISE SPECIFIED.

CONNECTOR NOTES:

- 2 HOUSING MATERIAL: UL 94 V-0 GLASS FILLED HIGH-TEMP THERMOPLASTIC
POWER CONTACT MATERIAL: COPPER ALLOY
SIGNAL PIN MATERIAL: COPPER ALLOY
 - 3. SEE ITEM 5 & 6 IN PRINT 10064183 FOR PLATING SPEC OF 51940-366 AND 51940-366LF RESPECTIVELY.
 - 4 MANUFACTURER'S NAME, DATE CODE AND OPTIONAL P/N TO APPEAR ON THIS SURFACE. THE P/N CAN BE OMITTED IF THERE IS NOT ENOUGH SPACE ON THIS SURFACE.
 - 5. PRODUCT SPECIFICATION GS-12-149.
APPLICATION SPECIFICATION BUS-20-067.
 - 6. PACKAGED IN TRAYS.
- PCB NOTES:
- 7. ALL HOLE DIAMETERS ARE FINISHED HOLE SIZE.
 - 8 MOUNTING HOLES, WHERE APPLICABLE, ARE UNPLATED.
 - 9 $\varnothing 1.151 \pm 0.025$ DRILLED HOLES PLATED WITH
0.008 MIN SnPb OR Sn OVER 0.03
TO 0.08 Cu PLATING TO ACHIEVE
 $\varnothing 1.02 \pm 0.07$ HOLE.
 - 10 "DIM XXX" TO BE DETERMINED BY THE CUSTOMER.
 - 11 CONNECTOR KEEP-OUT ZONE.
 - 12. THE VOID CORING IN BETWEEN POWER MODULES, SIGNAL MODULES AND END MODULES ARE OPTIONAL AND THE SHAPE MAY BE DIFFERENT FOR OPTIMIZE THE MOLDING PROCESS. THE VOID CORING WILL NOT EFFECT TO PRODUCT FUNCTION.

mat'l code				tolerances unless otherwise specified		CUSTOMER		FCI	
ltr	ecr no.	dr	date	linear	0.X ± 0.5	COPY		www.fciconnect.com	
A				linear	0.XX ± 0.25	projection	title 2ACP VERTICAL SOLDER RECEPT		
				angles	0.XXX ± 0.1				
				dr	0° ± 2°	MIM	product family	PwrBlade	code
				enr	X0 Wang 01/11/11	← MIM →	size		213
				chr	Anson Liu 01/11/11	scale	dwg no		sheet
				appd	PM Zheng 01/11/11	1:1	A	51940-366	4 of 4
					Joseph Hsia 01/11/11				
sheet index	revision sheet								

cage code 22526

Pro/E