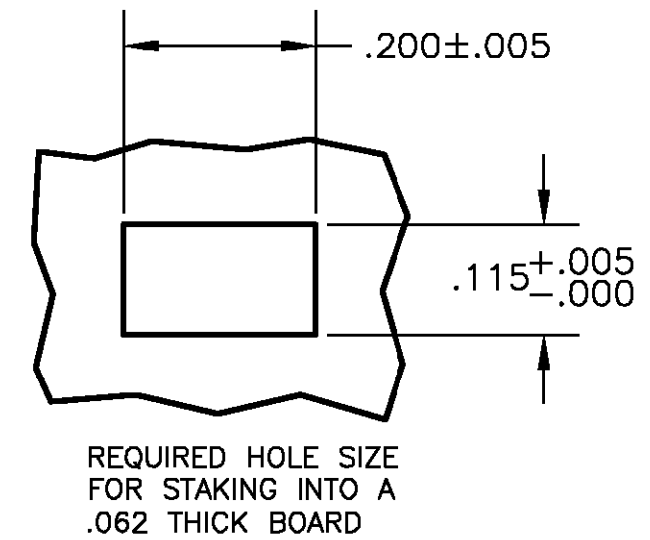
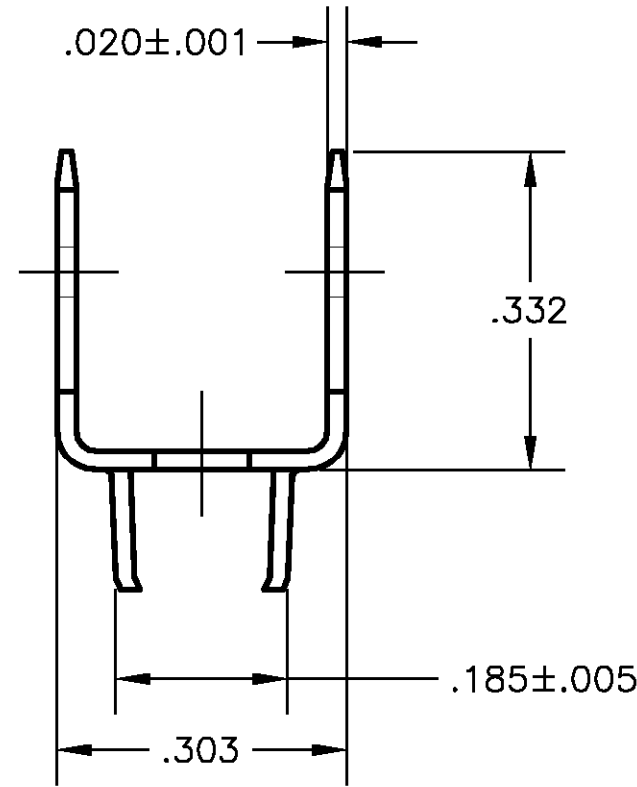
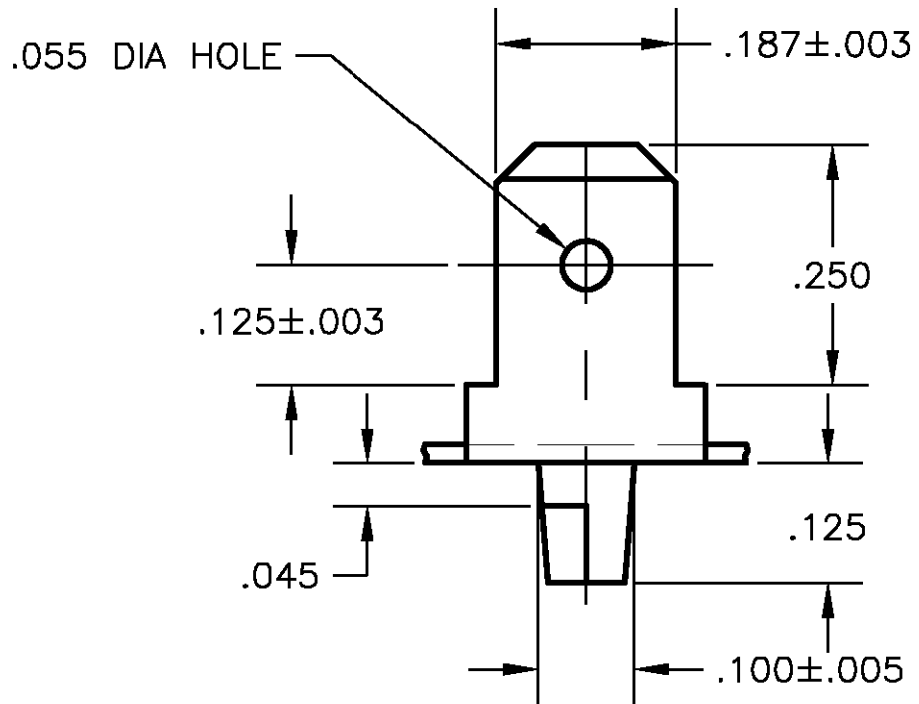
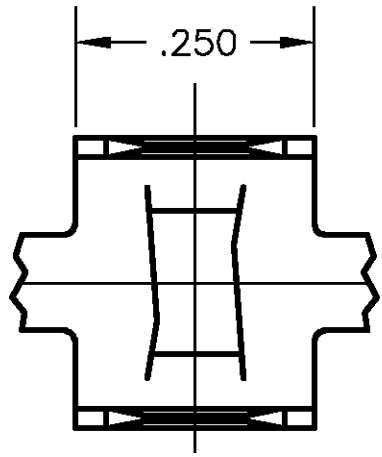


THIS DRAWING IS UNPUBLISHED. RELEASED FOR PUBLICATION
 © COPYRIGHT BY TYCO ELECTRONICS CORPORATION. ALL RIGHTS RESERVED.

LOC	DIST	REVISIONS				
P	LTR	DESCRIPTION	DATE	DWN	APVD	
AF	50	R	REDRAWN PER 0G3A-0181-01	14MAR01	JR ND	

1 CONTINUOUS STRIP ON REELS
 2 .000150 MIN TIN PLATE OVER
 .000100 MIN COPPER.



62221-1
 PART NO.

THIS DRAWING IS A CONTROLLED DOCUMENT.		DWN JR RUTH 14MAR01	Tyco Electronics Corporation Harrisburg, PA. 17057													
DIMENSIONS: INCHES		CHK MS FEHER 14MAR01	NAME TAB, FASTON, DUAL, STAKE, .187 SERIES													
TOLERANCES UNLESS OTHERWISE SPECIFIED:		APVD N DEIBERT 14MAR01														
<table border="0"> <tr><td>0 PLC</td><td>± -</td></tr> <tr><td>1 PLC</td><td>± -</td></tr> <tr><td>2 PLC</td><td>± -</td></tr> <tr><td>3 PLC</td><td>± .015</td></tr> <tr><td>4 PLC</td><td>± -</td></tr> <tr><td>ANGLES</td><td>± -</td></tr> </table>		0 PLC	± -	1 PLC	± -	2 PLC	± -	3 PLC	± .015	4 PLC	± -	ANGLES	± -	PRODUCT SPEC -	SIZE A3	CAGE CODE 00779
0 PLC	± -															
1 PLC	± -															
2 PLC	± -															
3 PLC	± .015															
4 PLC	± -															
ANGLES	± -															
MATERIAL 081 BRASS	FINISH - 2	APPLICATION SPEC -	DRAWING NO C-62221	RESTRICTED TO -												
CUSTOMER DRAWING			SCALE 5:1	SHEET 1 OF 1												
			REV R													