



CONCEALED HINGE



Version 1 & 2*



Version 3 & 4

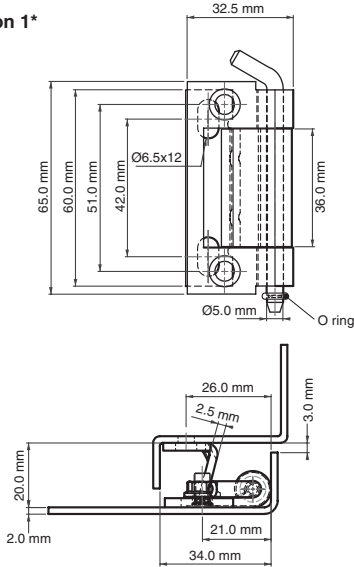
Specifications

- Material: Steel
- Finish: Zinc plated

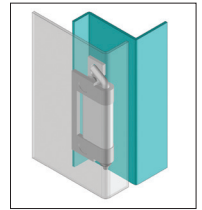
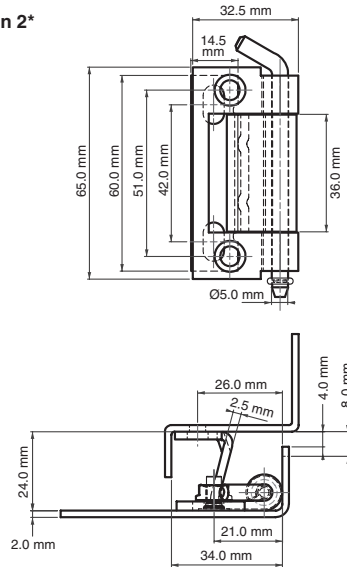
Features

- For doors with a bend of between 20 mm and 24 mm*
- Frame part screwed on, door part welded on
- Suitable for left-hand and right-hand application
- Applications: Electric panels, machinery covers

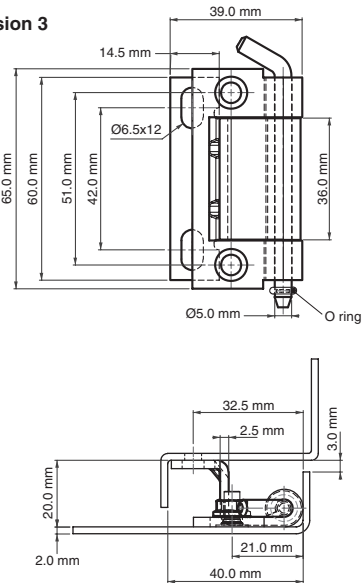
Version 1*



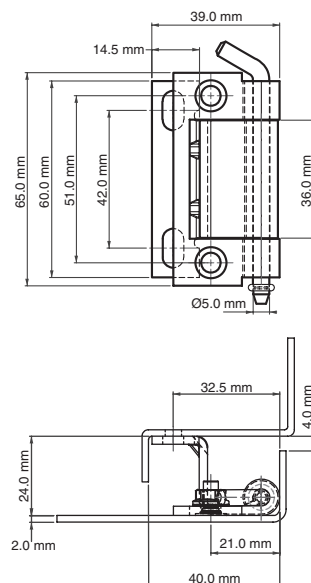
Version 2*



Version 3



Version 4



Hinge Rotation Angle



| Item Number | Hinge Rotation | Material | Finish | Version |
|-------------|----------------|----------|--------|---------|
| 395631 | 120° | Steel | Zinc | 1 |
| 395632 | 120° | Steel | Zinc | 2 |
| 395633 | 120° | Steel | Zinc | 3 |
| 395634 | 120° | Steel | Zinc | 4 |

Note: Bolts are not supplied