

*Now you're connected!*

### About Amphenol Commercial Products

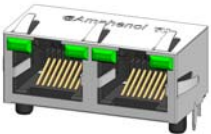
Amphenol's commercial connector products are used in a variety of end user applications including networking, telecom, server & computer, storage & HDD, consumer electronics and entertainment, professional audio & Industrial & Military/Aerospace.

### Related Products

#### RJHSE



P/N RJHSE-3081 SHOWN  
SINGLE PORT VERTICAL MOUNT,  
NO SHIELD, WITH LEDS

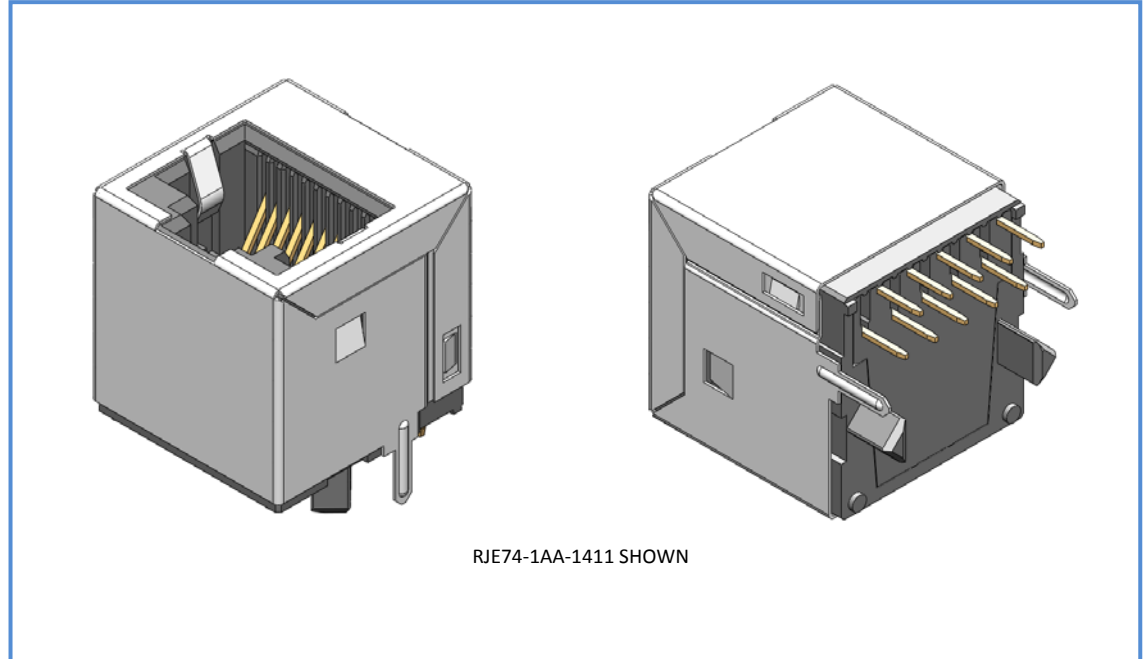


P/N RJHSE-5385-02 SHOWN  
TWO PORT REGULAR MOUNT,  
WITH SHIELD AND LEDS

#### RJSAE



P/N RJSAE-5385-02 SHOWN  
STACKED 2x1, 8 POSITION,  
WITH SHIELD AND LEDS



RJE74-1AA-1411 SHOWN

### Overview

This product specification defines the general use and performance parameters for Amphenol's RJE74 series of vertical modular jacks.

Availability: Single port, 10 position, shielded versions available with RMK4 key.

### Usage

The RJE74 vertical modular jack supports Ethernet Protocols. Shielding is available for increased EMI performance and RMK4 keyed interface prevents mating with regular plugs.

### Applications

Intended for use in applications such as:

Networking & Telecom

- Wireless (WiMAX)
- Network servers
- Hubs, routers, switches

Office & Home Equipment

- PC's, Laptops, Copiers/Printers
- Telephones, modems
- Surge Protectors
- ATMs, Vending Machines

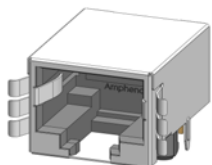
# Now you're connected!

## About Amphenol Commercial Products

Amphenol's commercial connector products are used in a variety of end user applications including networking, telecom, server & computer, storage & HDD, consumer electronics and entertainment, professional audio & Industrial & Military/Aerospace.

## Related Products

### RJLE



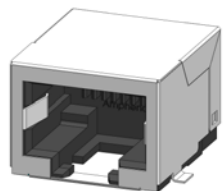
P/N RJLE-4X182-01 SHOWN  
SINGLE PORT REGULAR MOUNT,  
STANDARD SHIELD WITH SMT

### FRJAE



P/N FRJAE-418 SHOWN  
SINGLE PORT, 8 POSITION,  
WITH FERRITE FILTER AND  
SHIELD (FRONT TABS)

### RJLSE



P/N RJLSE-41181-01 SHOWN  
SINGLE PORT REGULAR MOUNT,  
STANDARD SHIELD WITH SMT

## Electrical Characteristics

Contact resistance:	20 mΩ max.
Insulation resistance:	500 MΩ minimum at 500V DC for 2 minutes max.
Current rating:	1.5 Amps
Voltage rating:	125 Volts AC
DWV	1000 VAC, 60 Hz. 1 min.

## Mechanical Characteristics

RMK4 keyed interface available to prevent mating with regular plugs.  
Mating connector insertion force: 5.0 lbs. Maximum.  
Mating connector pull retention force: 20 lbs Minimum.  
Durability: 750 mating & unmating cycles  
Recommended soldering temperature: 260°C for 5 seconds max.  
Connectors are suitable for IR Reflow

Operating temperature: -55° C to +85° C

## Material Requirements

RJE74 connectors are RoHS compliant.  
Unless otherwise specified, the materials for each component shall be:

Insulator:

- High Temp thermoplastic. Complies with UL 94V-0, Black color

Contacts:

- Phosphor Bronze hard temper with 30μ" min gold thickness over 50μ" minimum Nickel on contact mating area.
- 100μ" minimum matte tin plating on soldering tail

Shield:

- Stainless steel; pure tin dipped tail

## Available Documents

### Drawing Numbers:

P-RJE74-1XX-XX10-X	10 Position Modular Jack, Shield and Kapton tape options..
P-RJE74-1XX-XX11-X	10 Position Modular Jack with RMK4 key, Shield, Kapton tape options.

Contact factory or Authorized Amphenol representative for additional configurations