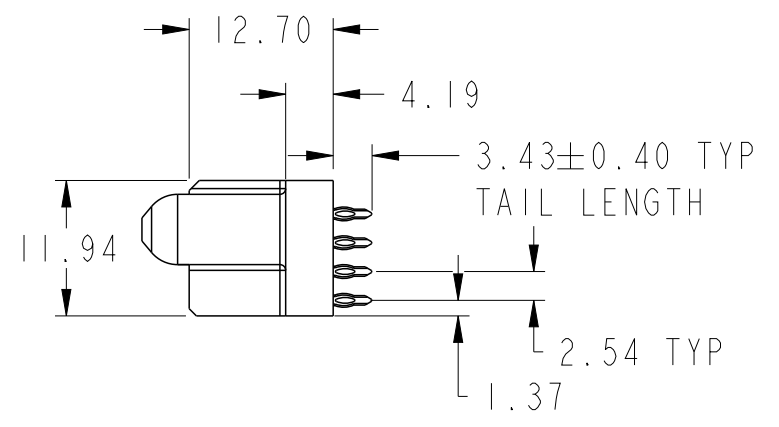
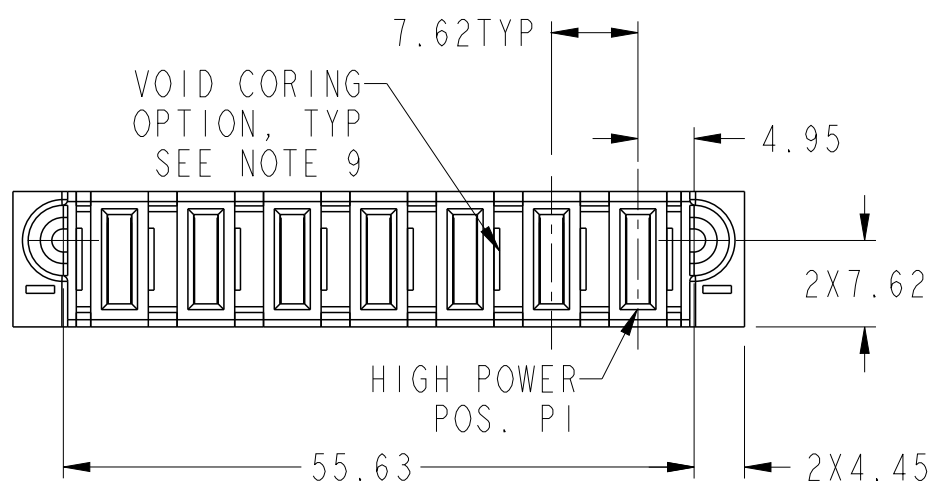
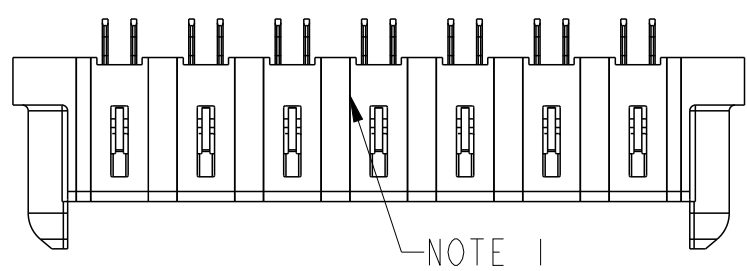
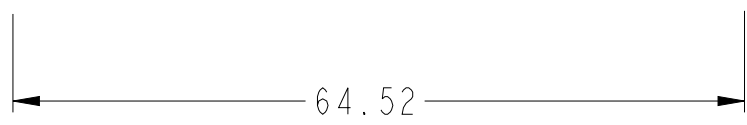
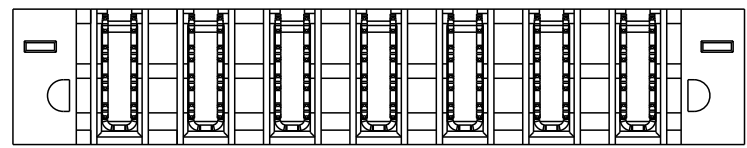


PRODUCT NUMBER SEE SHEET 2

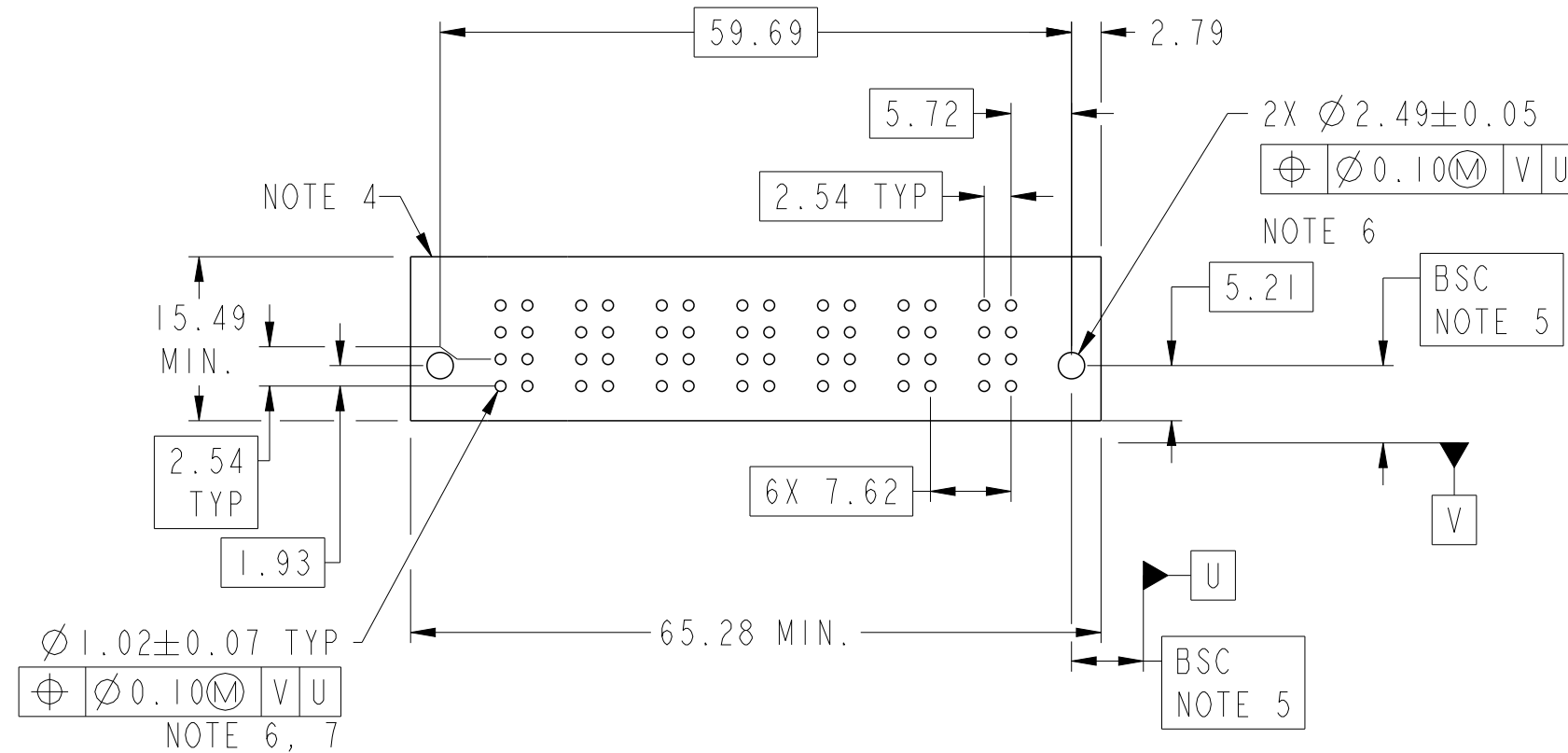


Copyright FCI.

spec ref		dr	Peng-Bing Fu	2012/10/31	projection	MM	size	A3	scale	3:2	
tolerance std ASME Y14.5		TOLERANCES UNLESS OTHERWISE SPECIFIED			eng	Peng-Bing Fu	2013/03/15	ecn no	-		
		chr	-		product family		PowerBlade+	rel level			
		appr	Pei-Ming Zheng	2013/03/15					Released		
surface	✓	linear	0.X	±0.50	www.fci.com	title	7ACP		dwg no	10106123-7000001	
			0.XX	±0.25			VT PF RECEPTACLE			rev	A
			0.XXX	±0.10			cat. no.			Product - Customer Drw	
ASME Y14.5		angular	0°	±2°							

PRODUCT	ROWS	HIGH POWER								
		E1	P7	P6	P5	P4	P3	P2	P1	E2
10106123-7000001	LF DCBA		HG	HG	HG	HG	HG	HG	HG	

CODE	DESCRIPTION
HG	STD HIGH POWER CONTACT (3.43)



dr	Peng-Bing Fu	2012/10/31	projection	MM	size	A3	scale	3:2
eng	Peng-Bing Fu	2013/03/15		← →	ecn no	-		
chr	-	-			product family	PowerBlade+	rel level	Released
appr	Pei-Ming Zheng	2013/03/15	www.fci.com		title	7ACP VT PF RECEPTACLE		rev
			cat. no.	Product - Customer Drw	dwg no	10106123-7000001	sheet 2 of 3	A



Copyright FCI.

A

B

C

D

A

B

C

D

NOTES:

- 1) "FCI", PART NUMBER AND DATE CODE TO BE MARKED ON THIS SURFACE.  
THE MARK CAN BE OMITTED IF THERE IS NOT ENOUGH SPACE ON THIS SURFACE.
- 2) MATERIALS:  
-HOUSING - GLASS FILLED WITH HIGH TEMP THERMOPLASTIC, UL94V-0.  
-SIGNAL CONTACT - COPPER ALLOY.  
-POWER CONTACT - HIGH CONDUCTIVITY COPPER ALLOY.
- 3) PLATING SPECIFICATION REFER TO FCI 10116351
- 4) DENOTES CONNECTOR KEEP OUT ZONE.
- 5) DATUM AND BASIC DIMENIONS WERE ESTABLISHED BY CUSTOMER.
- 6) ALL HOLE DIAMETERS ARE FINISHED HOLE SIZES.
- 7)  $1.15 \pm 0.025$ MM DRILLED HOLE PLATED WITH 0.00762MM MIN Sn  
OVER 0.0254-0.0762MM Cu PLATING TO ACHIEVE A  $1.02 \pm 0.07$ MM HOLE.
- 8) PRODUCT SPECIFICATION REFER TO FCI GS-12-658.  
APPLICATION SPECIFICATION REFER TO FCI GS-20-141.  
PRODUCT PACKAGED IN TRAYS, REFER TO FCI GS-14-1502.
- 9) THE VOID CORING IN BETWEEN POWER MODULES, SIGNAL  
MODULES AND END MODULES ARE OPTIONAL AND THE SHAPE  
MAY BE DIFFERENT FOR OPTIMIZE THE MOLDING PROCESS. THE  
VOID CORING WILL NOT EFFECT TO PRODUCT FUNCTION.



Copyright FCI.

dr	Peng-Bing Fu	2012/10/31	projection 	MM 	size	A3	scale	1:1	
eng	Peng-Bing Fu	2013/03/15			ecn no	-			
chr	-	-			rel level	Released			
appr	Pei-Ming Zheng	2013/03/15	product family	PowerBlade+					
		title		7ACP	dwg no		10106123-7000001		
www.fci.com		cat. no.		Product - Customer Drw		sheet 3 of 3		rev	A