

Tous droits strictement réservés. Reproduction ou communication  
 a des tiers interdite sans autorisation écrite de  
 la propriété de FCI Besencon S. A.  
 Droits de reproduction FCI Besencon S. A.

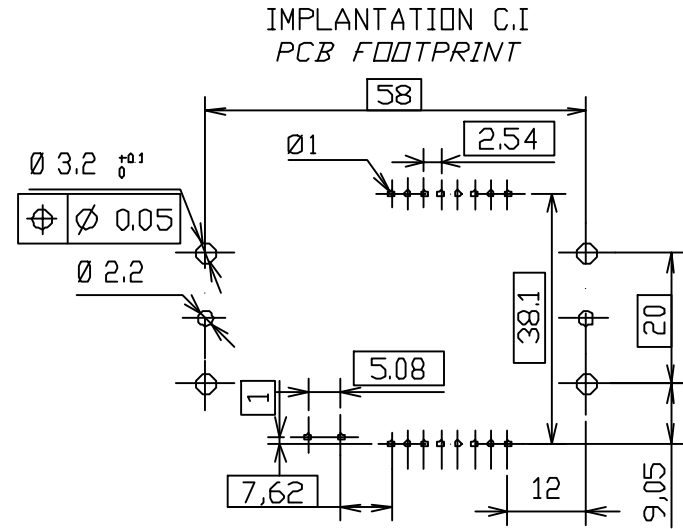
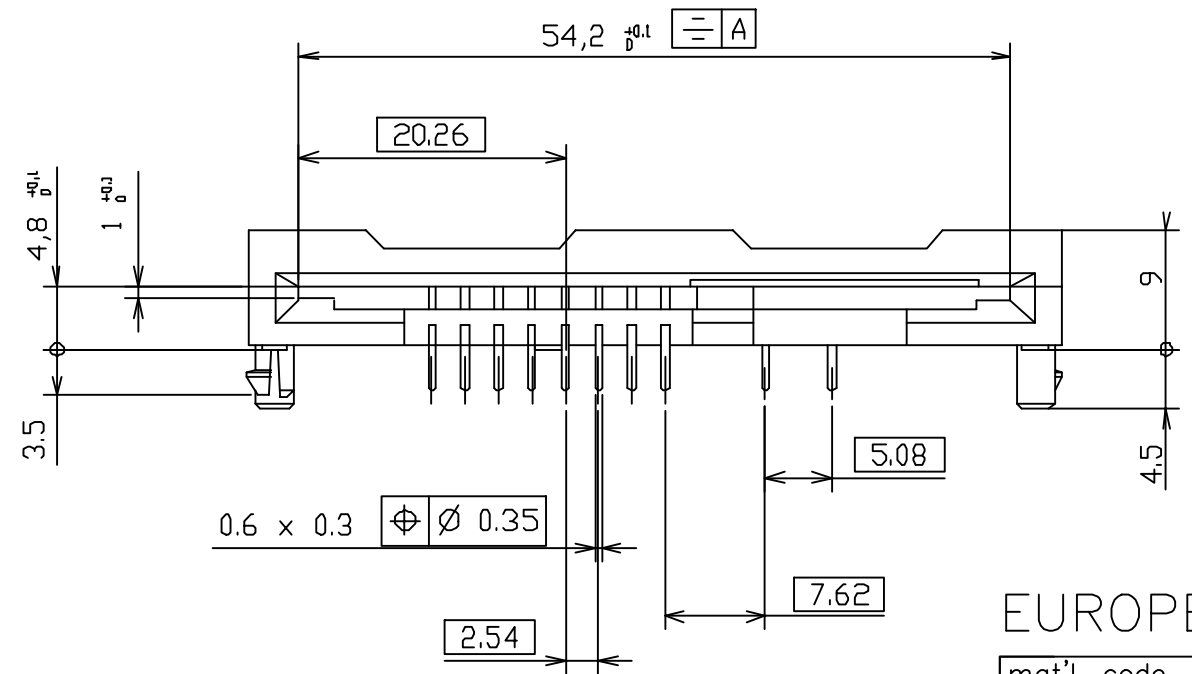
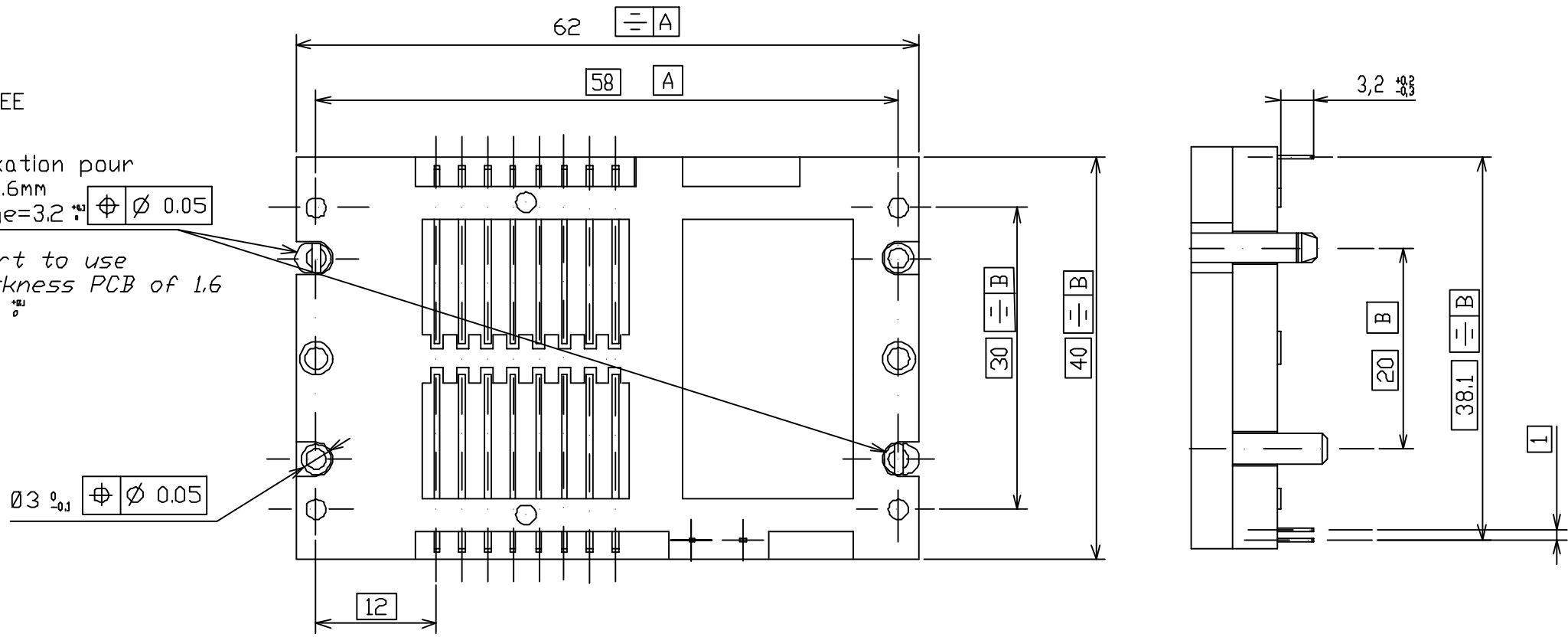


All rights strictly reserved. Reproduction or issue to third parties  
 in any form or by any means not permitted without written authority from the  
 proprietor.  
 Property of FCI Besencon S. A.  
 Copyright FCI Besencon S. A.

CATALOGUE NUMBER  
7434L0435S01

CATALOGUE NUMBER  
7434L0435S01LF → LEAD FREE

Clips de fixation pour  
circuit ep1.6mm  
Ø de perçage=3.2<sup>+0.1</sup>  $\phi \ 0.05$   
 Crimping part to use  
with a thickness PCB of 1.6  
holes Ø=3.2<sup>+0.1</sup>



NOTES:

- \* Contacts : copper alloy
- \* Plating : gold over nickel
- \* Solder tails : SnPb(60/40)bare edge allowed  
for lead free : matte tin instead of SnPb
- \* Housing : thermoplastic UL94V0

Tol.Gen: 0mm a 10mm ±0.1mm  
 10 a 30mm ±0.15mm  
 30 a 60mm ±0.2mm  
 60mm et plus ±0.3mm

"This product meets European Union Directives and other country regulations as described in GS-22-008"  
 The housing will withstand exposure to 260°C peak temperature for 10 seconds in a wave solder application with a 1.6mm minimum thick circuit board.

EUROPEAN PROJECTION

mat'l. code				tolerances unless otherwise specified		CUSTOMER COPY	 <b>ELECTRONICS</b> www.fciconnect.com
ltr	ecn no	dr	date	linear	angles	projection	
A	F20307	DLE	02.04.29			mm	L04
B	I05-0071	NT	05.05.26			scale	VXX 27596
				dr	D LEGRAND	02.04.29	product familySMART CARD
				eng	F TISSERAND	02.04.29	code
				chr	N.TWINCY	05.05.26	size
				app	N.TWINCY	05.05.26	dwg no
sheet index	revision sheet					A3 VJW 12038	
						213	
						sheet 1 of 1	