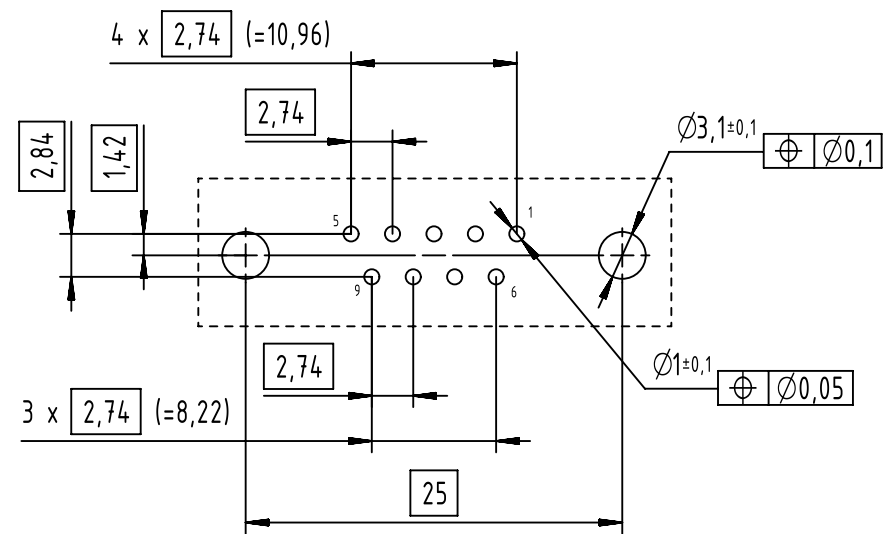
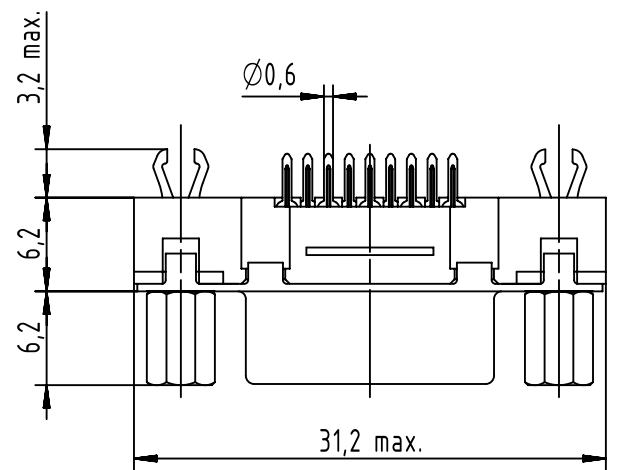
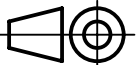



PC-Board layout  
view component side  
thickness 1,6 mm



Connection retention and insertion forces on PC-Board: 25 N / 80 N

09661513533	M3	PL1	 All Dimensions in mm Original Size DIN A4	Scale 2:1	Free size tol.			Ref.	
09661516533	M3	PL2		 All rights reserved Department EC PD - FR	Created by SONN	Inspected by BAGDIKIAN	Standardisation HOFFMANN	Date 2014-09-11	State Final Release
09661517533	M3	PL3			Title D-Sub 9-pole Female Straight			Doc-Key / ECM-Nr. 100507025/UGD/001/B 500000079204	
09661513513	4-40 UNC	PL1	HARTING Electronics GmbH D-32339 Espelkamp	Type TB	Number 0966151X5X3			Rev. B	Page 1/1
09661516513	4-40 UNC	PL2							
09661517513	4-40 UNC	PL3							
Part number	Scew lock thread	Performance level							