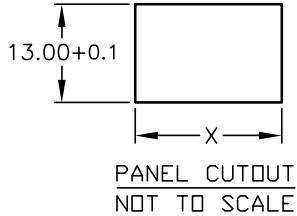
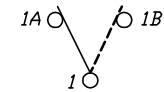


PANEL THICKNESS	X dimension
0.75-1.25 [.030-.049]	19.2-0.1 [.756]
1.25-2.0 [.049-.079]	19.4-0.1 [.764]
2.0-3.0 [.079-.118]	19.8-0.1 [.780]



SWITCH FUNCTION		
POS. 1	POS. 2	POS. 3
<ON>	OFF	<ON>
1-1a	OPEN	1-1b

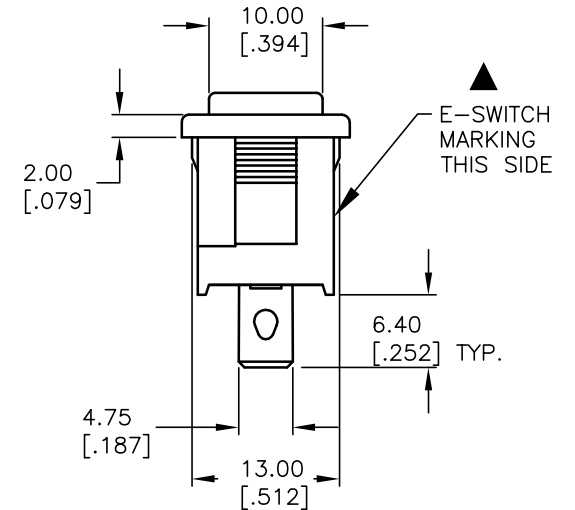
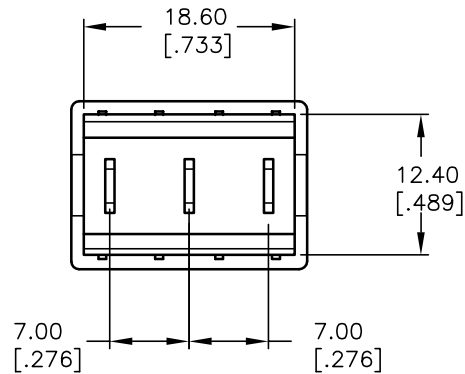
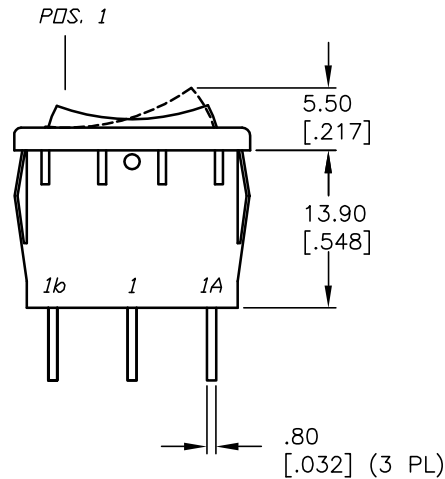
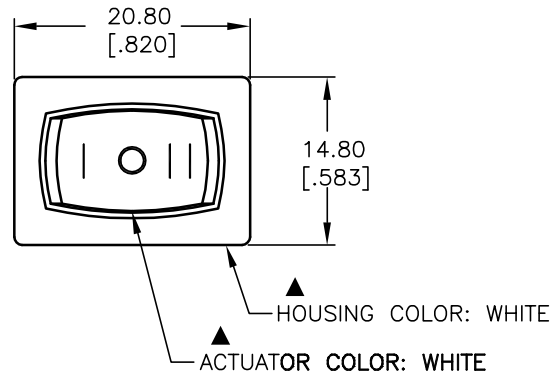
< >=MOMENTARY



CIRCUIT: SPDT

NOTES:

1. ALL DIMENSIONS IN MM [INCH]
2. GENERAL TOLERANCE: X.X=±0.4  
X.XX=±0.25
3. TERMINAL NUMBERS FOR REF ONLY
- ▲ 4. RATING: 15A @ 125VAC OR  
6A @ 250VAC
- APPROVALS: UL, CSA, NEMKO, FEMKO, DEMKO, SEMKO
5. MATERIALS: TERMINALS: SILVER PLATED COPPER ALLOY  
CONTACTS: COIN SILVER, SILVER PLATED
6. ELECTRIC LIFE: 10,000 CYCLES
7. CONTACT RESISTANCE: <20 MEGA-OHM
8. INSULATION RESISTANCE: >1000 MEGA-OHM
9. DIELECTRIC STRENGTH: >1500 V 1 MINUTE  
>3000 V BETWEEN POLES
10. ▲ DENOTES CRITICAL PARAMETER.



**E-SWITCH®**

TITLE				
R1966IWHTWHTBF				
SCALE	DATE	DR	DWG	REV
1.5:1	9/16/03	AR	M306216	A

THE INFORMATION CONTAINED IN THIS DOCUMENT IS PROPRIETARY TO E-SWITCH AND IS NOT TO BE COPIED OR TRANSFERRED

A	13453	RELEASED FOR PRODUCTION	9/16/03	AR
REV.	ECN No.	DESCRIPTION	DATE	CHKD