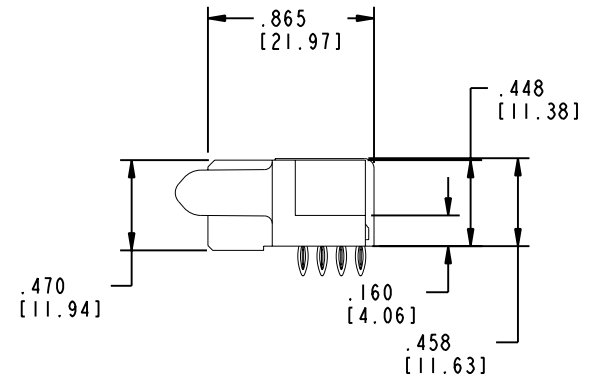
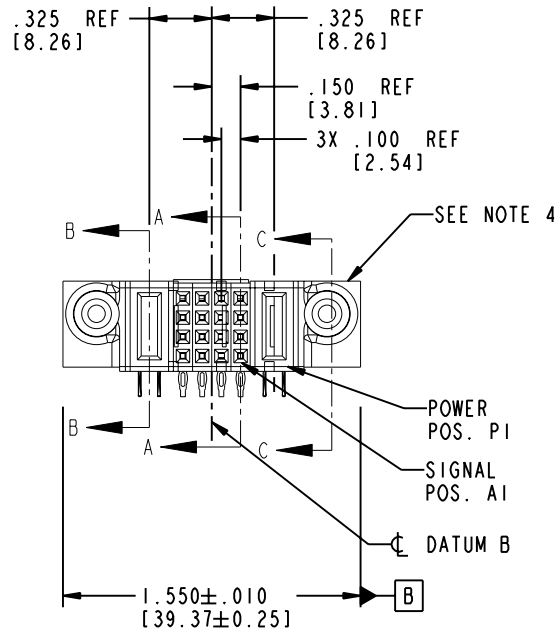


Tous droits strictement réservés. Reproduction ou communication a des tiers interdite sous quelque forme que ce soit sans autorisation écrite du propriétaire. Propriété de c FCI. Droits de reproduction FCI.



All rights strictly reserved. Reproduction or issue to third parties in any form whatever is not permitted without written authority from the proprietor. Property of FCI. Copyright FCI.

|                                      |              |       |    |        |   |   |   |       |    |
|--------------------------------------|--------------|-------|----|--------|---|---|---|-------|----|
| PRODUCT NO.<br>51866-035--<br>NOTE ③ | ROWS<br>DCBA | POWER |    | SIGNAL |   |   |   | POWER |    |
|                                      |              | E2    | P2 | 4      | 3 | 2 | 1 | P1    | E1 |
|                                      |              | PE    | R  | R      | R | R | R | PE    |    |
|                                      |              |       | P  | P      | P | P | P |       |    |
|                                      |              |       | N  | N      | N | N | N |       |    |



| CODE | DIM "M" MATING LENGTH | CONTACT TYPE |
|------|-----------------------|--------------|
| PE   | .042 [1.07]           | POWER        |
| S    | N/A [N/A]             | SIGNAL       |
| R    | N/A [N/A]             | SIGNAL       |
| P    | N/A [N/A]             | SIGNAL       |
| N    | N/A [N/A]             | SIGNAL       |

|                          |                |     |          |                                       |                      |             |  |                          |  |
|--------------------------|----------------|-----|----------|---------------------------------------|----------------------|-------------|--|--------------------------|--|
| mat'l code<br>SEE NOTE 2 |                |     |          | tolerances unless otherwise specified |                      | CUSTOMER    |  | <br>www.fciconnect.com   |  |
| ltr                      | ecn no.        | dr  | date     | linear                                | .XX±.01/0.XX±0.3     | COPY        |  | title                    |  |
| A                        | DG05-0190      | SW  | 05/20/05 |                                       | .XXX±.005/0.XX±0.13  | projection  |  | IP + 16S + IP            |  |
|                          |                |     |          | angles                                | .XXX±.002/0.XX±0.051 | <br>INCH/MM |  | R/A PRESS-FIT RECEPTACLE |  |
|                          |                |     |          | dr                                    | STEVEN WANG 05/20/05 | scale       |  | product family           |  |
|                          |                |     |          | enr                                   | STEVEN WANG 05/20/05 | 1:1         |  | PwrBlade                 |  |
|                          |                |     |          | chr                                   | VICTOR LIN 05/20/05  |             |  | code                     |  |
|                          |                |     |          | appd                                  | JOSEPH HSIA 05/20/05 |             |  | 213                      |  |
| sheet index              | revision sheet | A 1 | A 2      | A 3                                   | A 4                  |             |  | sheet of 4               |  |
|                          |                |     |          |                                       |                      |             |  | 1 of 4                   |  |

Pro/E

cage code 22526

PDM: Rev:A

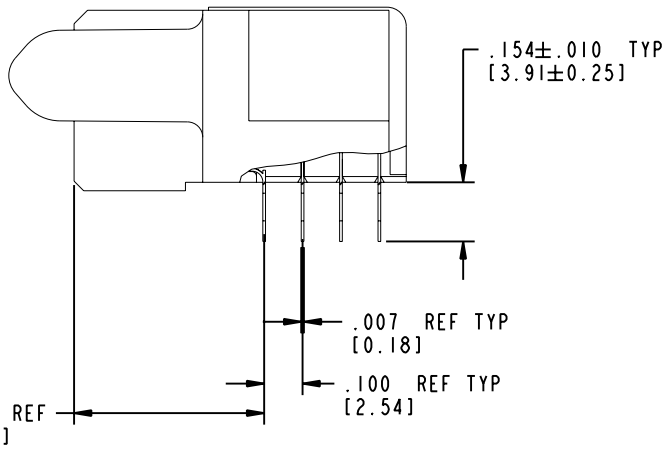
STATUS: Released

Printed: Dec 20, 2010

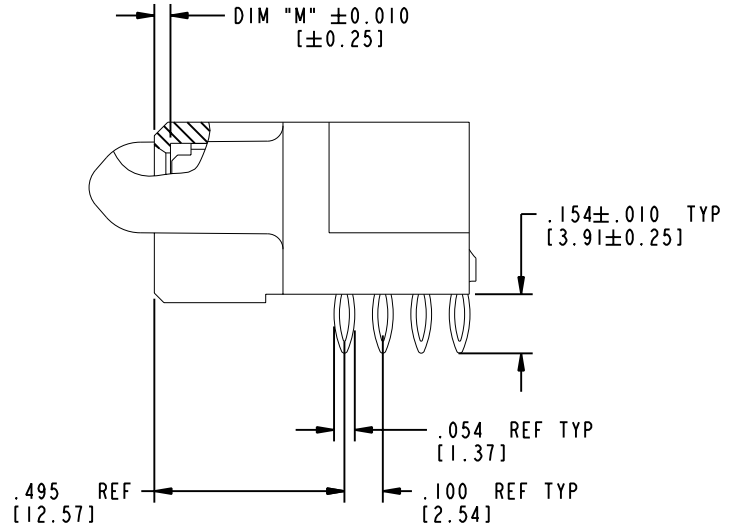
Tous droits strictement réservés. Reproduction ou communication a des tiers interdite sous quelque forme que ce soit sans autorisation écrite du propriétaire. Propriété de c FCI. Droits de reproduction FCI.

All rights strictly reserved. Reproduction or issue to third parties in any form whatever is not permitted without written authority from the proprietor. Property of FCI. Copyright FCI.

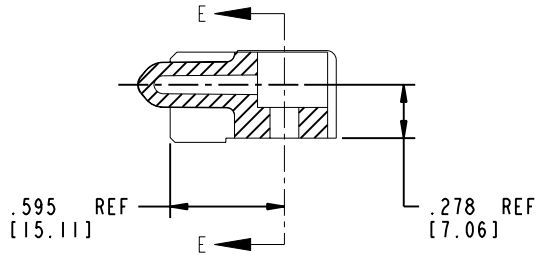
PRODUCT NUMBER  
**51866-035**  
 NOTE ③



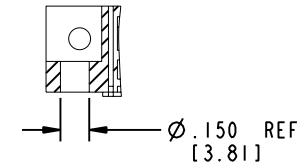
BROKEN-OUT SECTION A-A  
 SCALE 2:1



BROKEN-OUT SECTION B-B  
 SCALE 2:1



SECTION C-C



PARTIAL SECTION E-E

|             |         |                |      |            |                           |                                       |               |          |                          |                        |      |
|-------------|---------|----------------|------|------------|---------------------------|---------------------------------------|---------------|----------|--------------------------|------------------------|------|
| mat'l code  |         |                |      | SEE NOTE 2 |                           | tolerances unless otherwise specified |               | CUSTOMER |                          | <br>www.fciconnect.com |      |
| ltr         | ecn no. | dr             | date | linear     | .XX ± .01 / 0.X ± 0.3     | projection                            | COPY          |          | title                    |                        |      |
| A           |         |                |      | angles     | .XXX ± .005 / 0.XX ± 0.13 |                                       | IP + 16S + IP |          | R/A PRESS-FIT RECEPTACLE |                        |      |
|             |         |                |      | dr         | STEVEN WANG 05/20/05      |                                       | INCH/MM       |          | product family           |                        | code |
|             |         |                |      | enr        | STEVEN WANG 05/20/05      | scale                                 |               | PwrBlade |                          | 213                    |      |
|             |         |                |      | chr        | VICTOR LIN 05/20/05       | 1:1                                   |               | size     |                          | sheet                  |      |
|             |         |                |      | appd       | JOSEPH HSIA 05/20/05      |                                       |               | A        |                          | 51866-035              |      |
| sheet index |         | revision sheet |      |            |                           |                                       |               |          |                          | 2 of 4                 |      |

Pro/E

cage code **22526**

PDM: Rev:A

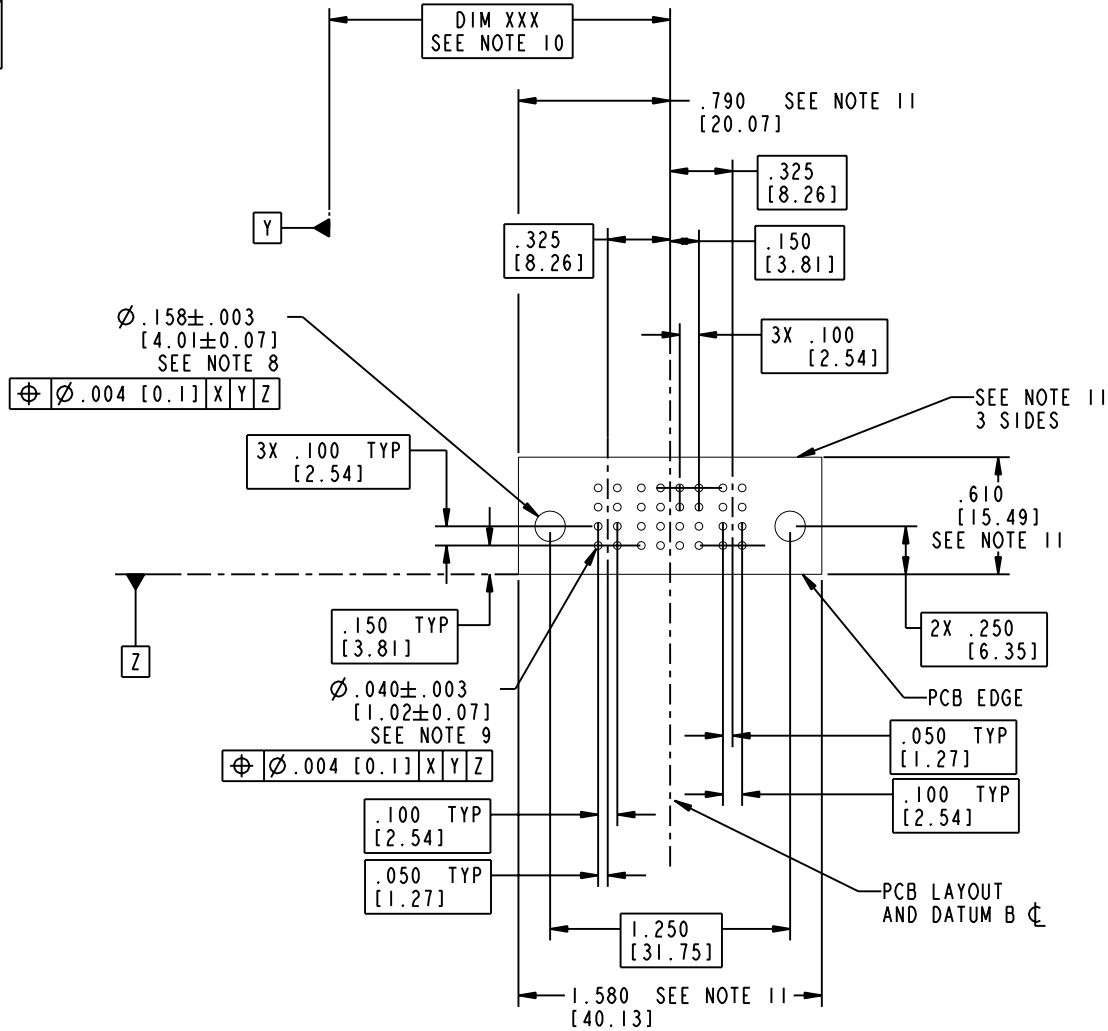
STATUS: Released


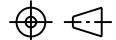
Printed: Dec 20, 2010

Tous droits strictement réservés. Reproduction ou communication o des tiers interdite sous quelque forme que ce soit sans autorisation écrite du propriétaire. Propriété de c FCI. Droits de reproduction FCI.

All rights strictly reserved. Reproduction or issue to third parties in any form whatever is not permitted without written authority from the proprietor. Property of FCI. Copyright FCI.

PRODUCT NUMBER  
**51866-035**  
NOTE ③



|             |         |                |      |            |                        |   |                      |          |                          |   |        |
|-------------|---------|----------------|------|------------|------------------------|---|----------------------|----------|--------------------------|---|--------|
| mat'l code  |         |                |      | SEE NOTE 2 |                        | tolerances unless otherwise specified   |                      | CUSTOMER |                          | <br>www.fciconnect.com |        |
| ltr         | ecn no. | dr             | date | linear     | .XX±.01/0.X±0.3        | projection  | COPY                 |          | title                    |   |        |
| A           |         |                |      | angles     | .XXX±.005/0.XX±0.13    |  | IP + 16S + IP        |          | R/A PRESS-FIT RECEPTACLE |   |        |
|             |         |                |      | dr         | .XXX±.0020/0.XXX±0.051 | INCH/MM   | STEVEN WANG 05/20/05 |          | product family           |   | code   |
|             |         |                |      | engr       | ° ± °                  | scale   | STEVEN WANG 05/20/05 |          | PwrBlade                 |   | 213    |
|             |         |                |      | chr        |                        | 1:1   | VICTOR LIN 05/20/05  |          | size                     |   | sheet  |
|             |         |                |      | appd       |                        |   | JOSEPH HSIA 05/20/05 |          | dwg no                   |   | 3 of 4 |
| sheet index |         | revision sheet |      |            |                        |   |                      |          |                          | 51866-035   |        |

Pro/E

cage code **22526**

PDM: Rev:A

STATUS: Released

Printed: Dec 20, 2010

Tous droits strictement réservés. Reproduction ou communication a des tiers interdite sous quelque forme que ce soit sans autorisation écrite du propriétaire. Propriété de c FCI. Droits de reproduction FCI.

**A** FCI

All rights strictly reserved. Reproduction or issue to third parties in any form, whenever is not permitted without written authority from the proprietor. Property of FCI. Copyright FCI.

**B**

PRODUCT NUMBER

**51866-035..**  
**NOTE ③**

NOTES:

1. DIMENSIONS AND TOLERANCES ARE IN ACCORDANCE WITH ASME Y14.5M, 1994 UNLESS OTHERWISE SPECIFIED.

CONNECTOR NOTES:

② HOUSING MATERIAL: UL 94 V-0 GLASS FILLED

HIGH-TEMP THERMOPLASTIC  
POWER CONTACT MATERIAL: COPPER ALLOY  
SIGNAL PIN MATERIAL: COPPER ALLOY

3. PLATING:

51866-035 Singal Pin:30u"/0.76um Au OVER 50u"/1.27um Ni ON CONTACT AREA.  
AND 100u"/2.54um SnPb PLATING OVER 50u"/1.27um Ni ON THE TERMINATION SECTION.  
Power Pin:30u"/0.76um Au OVER 50u"/1.27um Ni ON THE CONTACT AREA,  
AND 100u"/2.54um SnPb PLATING OVER 50u"/1.27um Ni ON THE TERMINATION SECTION.

51866-035LF Singal Pin:30u"/0.76um Au OVER 50u"/1.27um Ni ON CONTACT AREA.  
AND 78u"/2.00um Sn PLATING OVER 50u"/1.27um Ni ON THE TERMINATION SECTION.  
Power Pin:30u"/0.76um Au OVER 50u"/1.27um Ni ON THE CONTACT AREA,  
AND 78u"/2.00um Sn PLATING OVER 50u"/1.27um Ni ON THE TERMINATION SECTION.

PART NUMBER 51866-035LF MEETS EUROPEAN UNION DIRECTIVE AND OTHER COUNTRY REGULATIONS AS DESCRIBED IN GS-22-008.

THE HOUSING WILL WITHSTAND EXPOSURE TO 260° PEAK TEMPERATURE FOR 10 SECONDS IN A WAVE SOLDER APPLICATION WITH A CIRCUIT BOARD.

④ NO NEED TO MANUFACTURER'S NAME, P/N, AND DATE CODE TO APPEAR ON THIS SURFACE.

5. PRODUCT SPECIFICATION GS-12-149.  
APPLICATION SPECIFICATION BUS-20-067.

6. PACKAGED IN TRAYS.

PCB NOTES:


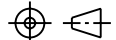

7. ALL HOLE DIAMETERS ARE FINISHED HOLE SIZE.

⑧ MOUNTING HOLES, WHERE APPLICABLE, ARE UNPLATED.

⑨  $\varnothing .0453 \pm .0010$  [1.151±0.025] DRILLED HOLES PLATED WITH .0003 [0.008] MIN SnPb OVER .001 [0.03] TO .003 [0.08] Cu PLATING TO ACHIEVE  $\varnothing .040 \pm .003$  [1.02±.07] HOLE.

⑩ "DIM XXX" TO BE DETERMINED BY THE CUSTOMER.

⑪ CONNECTOR KEEP-OUT ZONE.  
⑫ USE FCI CAM TOOL 430140-XXX TO APPLY CONNECTOR TO PCB.

|             |         |                |      |                                       |                        |   |  |   |  |
|-------------|---------|----------------|------|---------------------------------------|------------------------|---|--|---|--|
| mat'l code  |         | SEE NOTE 2     |      | tolerances unless otherwise specified |                        | CUSTOMER  |  | <br>www.fciconnect.com |  |
| ltr         | ecn no. | dr             | date | linear                                | .XX±.01/0.X±0.3        | COPY  |  | title   |  |
| A           |         |                |      | projection                            | .XXX±.005/0.XX±0.13    |  |  | IP + 16S + IP   |  |
|             |         |                |      | angles                                | .XXX±.0020/0.XXX±0.051 |  |  | R/A PRESS-FIT RECEPTACLE  |  |
|             |         |                |      | dr                                    | STEVEN WANG 05/20/05   | INCH/MM   |  | product family  |  |
|             |         |                |      | enr                                   | STEVEN WANG 05/20/05   | scale   |  | PwrBlade  |  |
|             |         |                |      | chr                                   | VICTOR LIN 05/20/05    | 1:1   |  | code  |  |
|             |         |                |      | appd                                  | JOSEPH HSIA 05/20/05   |   |  | 213   |  |
| sheet index |         | revision sheet |      |                                       |                        |   |  | size  |  |
|             |         |                |      |                                       |                        |   |  | dwg no  |  |
|             |         |                |      |                                       |                        |   |  | 51866-035   |  |
|             |         |                |      |                                       |                        |   |  | sheet   |  |
|             |         |                |      |                                       |                        |   |  | 4 of 4  |  |

Pro/E

cage code **22526**

**PDM: Rev:A**

STATUS: **Released**

Printed: Dec 20, 2010