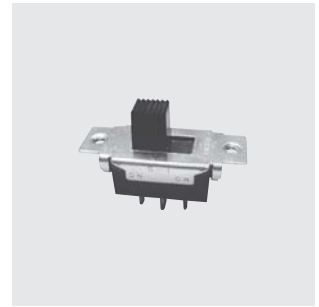


S



RoHS Compliant

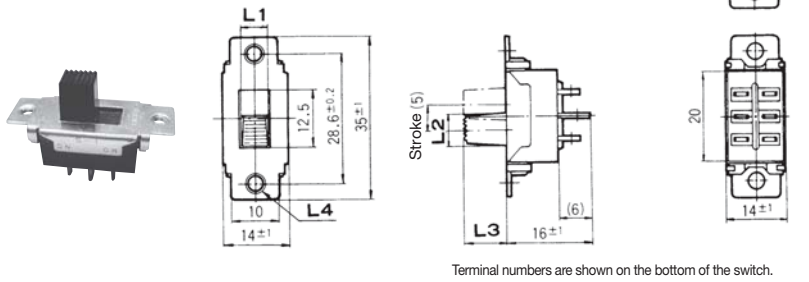


Miniature Slide Switches

Part Numbering



- S-1-Z DPDT
- S-2-Z
- S-3-Z
- S-4-Z



Dimension L

Part No.	L1	L2	L3	L4
S-1-Z	6.2	7.4	9	M3×0.5
S-2-Z	5.7	7.1	16	M3×0.5
S-3-Z	6.2	7.4	9	φ3.5
S-4-Z	5.7	7.1	16	φ3.5

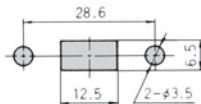
Part No.	Switching function	
	Viewed from part No. marking side	
S-1-Z		
★S-2-Z	ON	ON
S-3-Z	ON	ON
★S-4-Z	ON	ON
Connecting terminals	2-1 5-4	2-3 5-6

Specifications

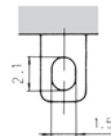
Rating	Initial contact resistance	Dielectric strength	Insulation resistance	Electrical life
S-1~4	AC125V 8A AC250V 4A 100mΩ Max. (DC2~4V 1A)	AC1500V 1 minute	100MΩ Min. (DC500V)	15,000 cycles

Note : Please refer to P.524 and P.634 for UL-recognized products.

Panel Cut-Out Dimension



Terminal style



Handling Precautions (HSS,S,SS,ES)

1. Soldering Specifications

- (1) Manual Soldering
Device : Soldering iron
350°C, Max.; 3 seconds, Max.

2. Flux Cleaning

- (1) Solvent : Fluorine or Alcohol type.
- (2) HSS, SS, ES, and S series are not process sealed. If the PC board is to be cleaned, clean the soldering surface of the substrate with a brush so that the switch is not exposed to the cleaning solution.