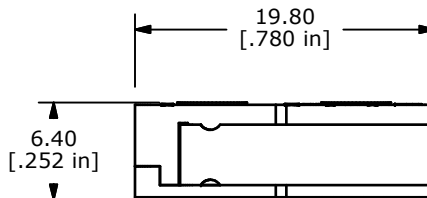
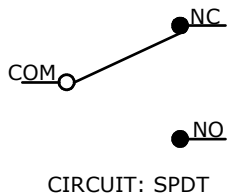


ISOMETRIC

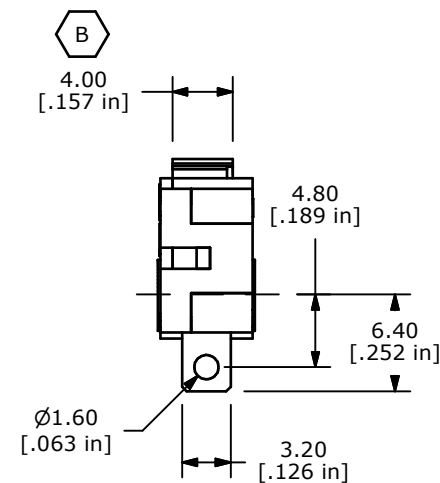
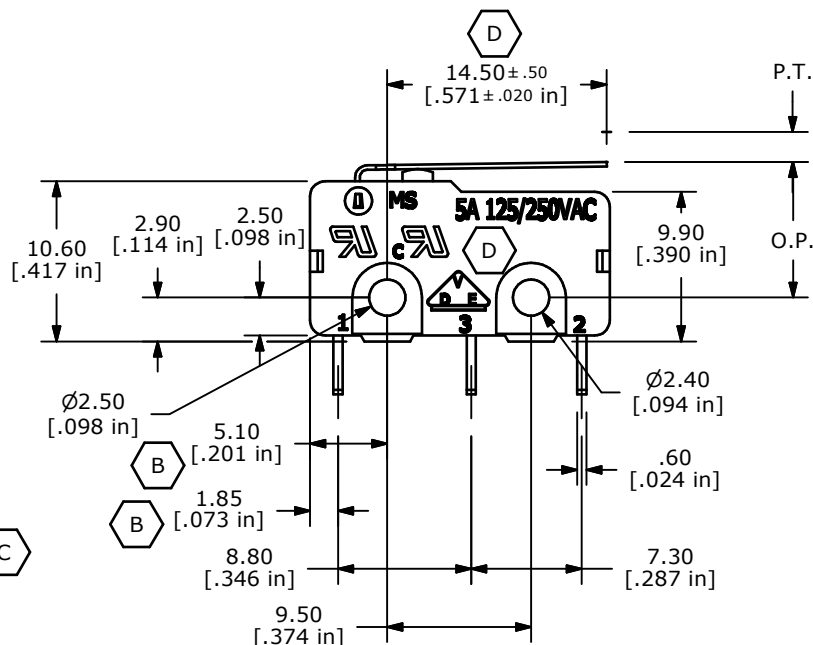


B	O.P. (MM)	P.T. (MM)
	9.1 ±0.8	3.6 MAX

O.P. = OPERATING POINT
P.T. = PRE-TRAVEL



- NOTES:
- ALL DIMENSIONS IN MM [INCH]
 - GENERAL TOLERANCE: X.X=±0.4
X.XX=±0.25
 - RATING: 5A @125/250VAC UL, CUL, VDE APPROVED
 - ▲ OPERATING FORCE: 70±25 GRAMS
 - OPERATING TEMP: -25°C TO 85°C
 - ELECTRICAL LIFE: 50,000 CYCLES MIN.
 - MECHANICAL LIFE: 1,000,000 CYCLES TYP.
 - INSULATION RESISTANCE: 100 MEGA-OHMS
 - DIELECTRIC STRENGTH: 1000VAC 1 MINUTE (INITIAL VALUE)
 - CONTACT RESISTANCE: 100 MILLI-OHMS MAX.
 - ▲ DENOTES CRITICAL PARAMETER.
 - 2002/95/EC (ROHS) COMPLIANT



D	15643	CHANGES NOTED	12/29/05	PH
C	15047	CHANGED FORCE TO 70	6/30/05	JB
B	14888	CHANGED NOTES AND DIMMENSIONS	4/29/05	JB
A	14962	RELEASED FOR PRODUCTION	2/15/05	AR
REV	PCR NO	DESCRIPTION	DATE	BY

THE INFORMATION CONTAINED IN THIS DOCUMENT IS PROPRIETARY TO E-SWITCH AND IS NOT TO BE COPIED OR TRANSFERRED



TITLE MS0850501F070S1A

SCALE	DATE	DR	DWG	REV
2:1	2/7/2005	AR	Q970006	D