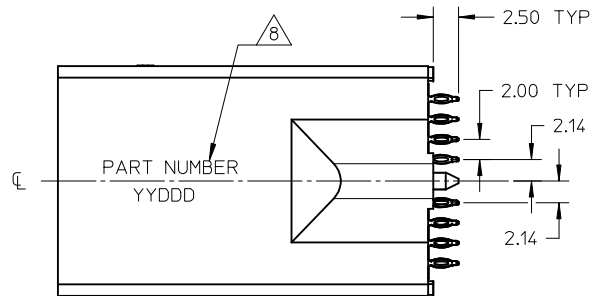
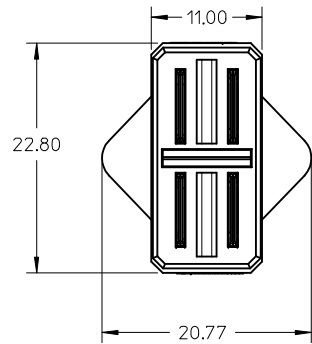
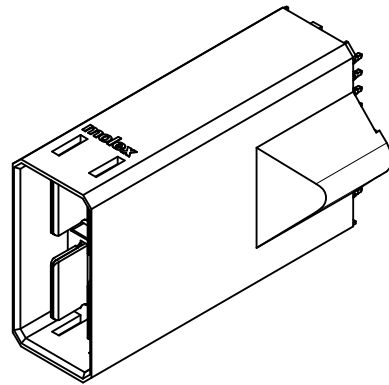
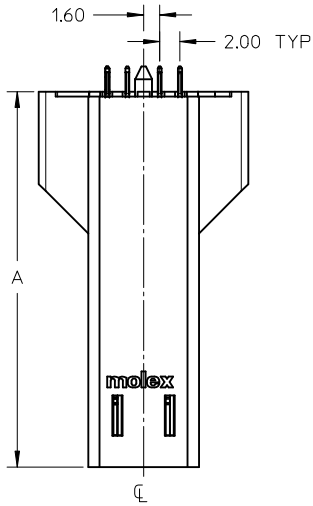


PART NUMBER	STACK HEIGHT	DIMENSION A	PLATING OPTIONS	PACKAGING
78446-3222	32	29.25	TIN PLATING	TRAY
78446-3822	38	35.25		
78446-1022	40	37.25		



NOTES:

1. MATERIAL:

HOUSING - LCP, GLASS FILLED, UL94-V0, COLOR: BLACK  
POWER PIN - COPPER ALLOY

2. FINISHES:

TIN - 0.76µm MINIMUM GOLD AT CONTACT AND  
2.54µm MINIMUM TIN AT SOLDER TAIL AREA OVER  
1.27µm MINIMUM NICKEL UNDERPLATE OVERALL.

3. PRODUCT SPECIFICATION: PS-78213-001.

4. PACKAGING SPECIFICATION: PK-78446-001.

5. MATES WITH 78216-\*\*\*\*.

6. REFER SHEET 2 FOR RECOMMENDED PCB LAYOUT.

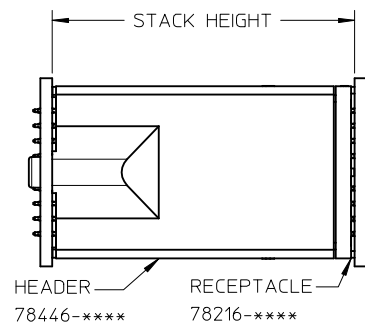
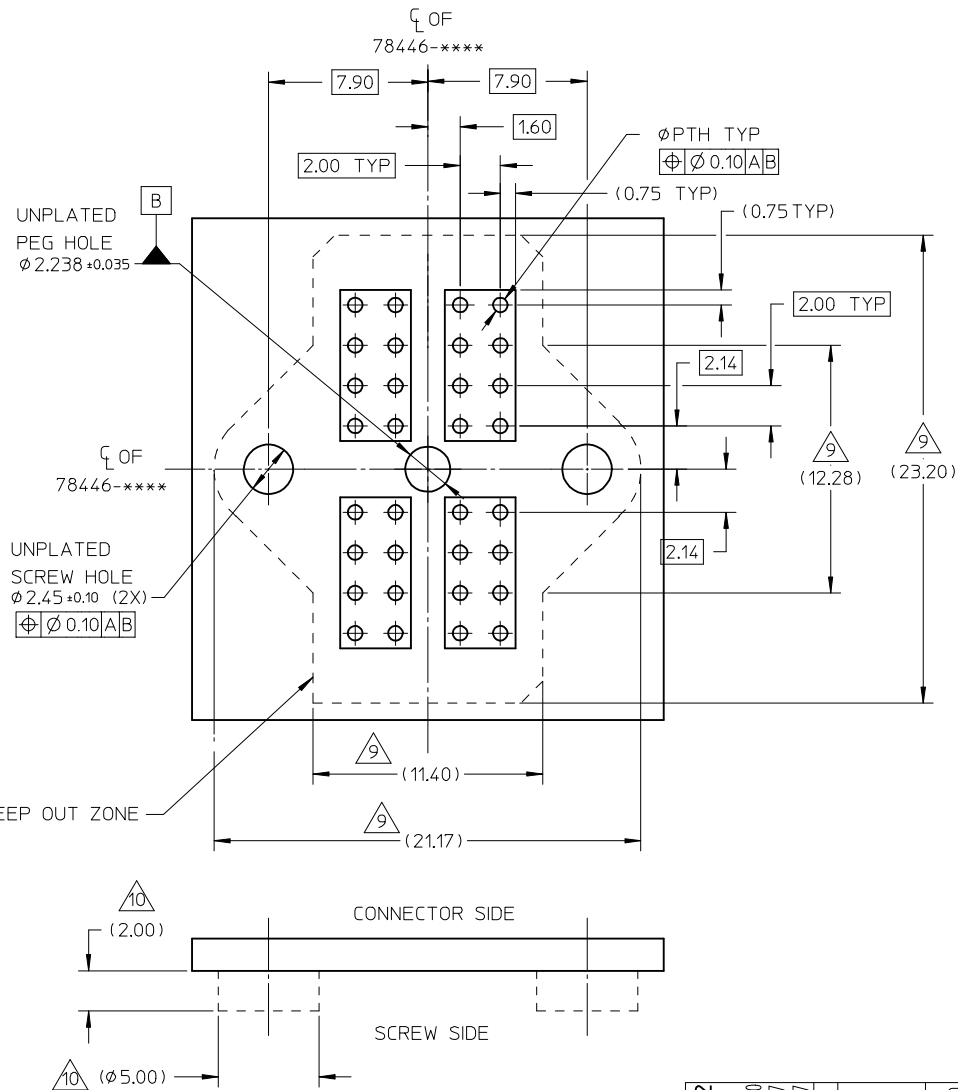
7. REFER TO MOLEX PRODUCT SPECIFICATION PS-78213-001 FOR PLATED THROUGH-HOLE SPECIFICATIONS.

8. PART NUMBER AND DATE CODE (YYDDD) APPROXIMATELY SHOWN.

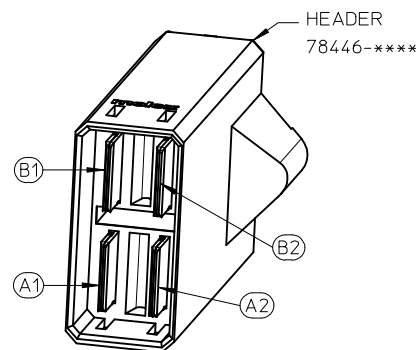
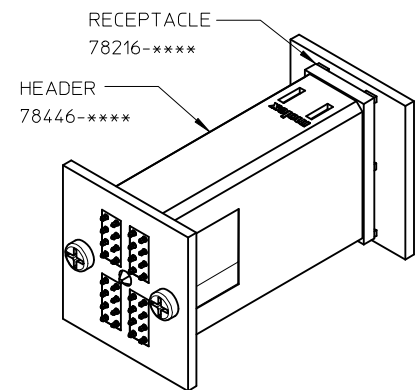
9. KEEP OUT ZONE FROM OTHER COMPONENTS.

10. PARTS ARE SHIPPED WITH #2-32 TYPE AB SELF-TAPPING SCREW  
PART NUMBER 73726-0000.

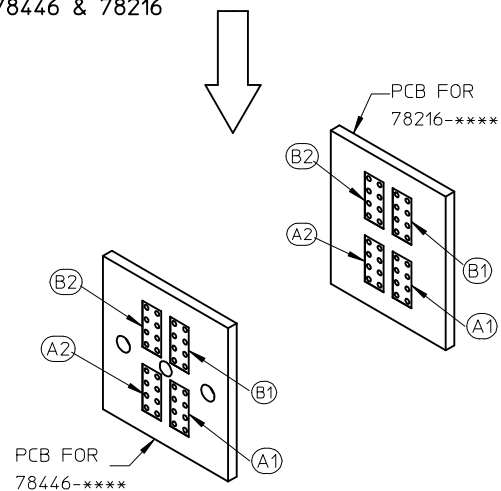
ADD P/N: 78446-3222 EC NO: S2014-0872 DRWN: SHONG 2015/01/20 CHKD: HICGOH 2015/04/07 APPR: SILENI 2015/04/07	DESCRIPTION REV	QUALITY SYMBOLS	GENERAL TOLERANCES (UNLESS SPECIFIED)	DIMENSION STYLE	SCALE	DESIGN UNITS	THIRD ANGLE PROJECTION
		$F_A=0$ $F_C=0$ $F_P=0$	mm    INCH 4 PLACES ± --- ± --- 3 PLACES ± --- ± --- 2 PLACES ± 0.25 ± --- 1 PLACE ± --- ± --- ANGULAR ± 3°	MM ONLY	NTS	METRIC	
			DRAWN BY: LNG    DATE: 2010/04/15 CHECKED BY:    DATE: APPROVED BY: SHONG    DATE: 2010/06/29	TITLE	IMPACT POWER, 5 PAIR VERTICAL HEADER		
			DRAFT WHERE APPLICABLE MUST REMAIN WITHIN DIMENSIONS	MATERIAL NO.    SHEET NO. SEE TABLE    SD-78446-001    1 OF 2			



MATED SYSTEM OF 78446 & 78216



PIN NUMBER ASSIGNMENT BASED ON HEADER SIDE:  
A1, B1 ON THE LEFT  
A2, B2 ON THE RIGHT



CIRCUIT PATH OF MATED SYSTEM

RECOMMENDED PCB LAYOUT  
(COMPONENT SIDE SHOWN)  
BOARD THICKNESS: 1.60mm to 4.40mm

ADD P/N: 78446-3222 EC NO: S2014-0872 DRWN: SHONG 2015/01/20 CHKD: HICGH 2015/04/07 APPR: SHILENI 2015/04/07	QUALITY SYMBOLS $F_A=0$ $F_C=0$ $F_P=0$	GENERAL TOLERANCES (UNLESS SPECIFIED)		DIMENSION STYLE MM ONLY		SCALE NTS	DESIGN UNITS METRIC	THIRD ANGLE PROJECTION		
		4 PLACES ± --- ± ---	3 PLACES ± --- ± ---	DRAWN BY LNG	DATE 2010/04/15	TITLE IMPACT POWER, 5 PAIR VERTICAL HEADER				
		2 PLACES ± 0.25 ± ---	1 PLACE ± --- ± ---	CHECKED BY CTCHO	DATE 2010/06/18	MOLEX INCORPORATED				
		ANGULAR ± 3 °		APPROVED BY SHONG	DATE 2010/06/29	MATERIAL NO. SEE TABLE	DOCUMENT NO. SD-78446-001	SHEET NO. 2 OF 2		
DRAFT WHERE APPLICABLE MUST REMAIN WITHIN DIMENSIONS		SIZE A3		THIS DRAWING CONTAINS INFORMATION THAT IS PROPRIETARY TO MOLEX INCORPORATED AND SHOULD NOT BE USED WITHOUT WRITTEN PERMISSION						