

PRODUCT NUMBER	PITCH
H5xxA0x100J0G	7.50 mm

Dimension

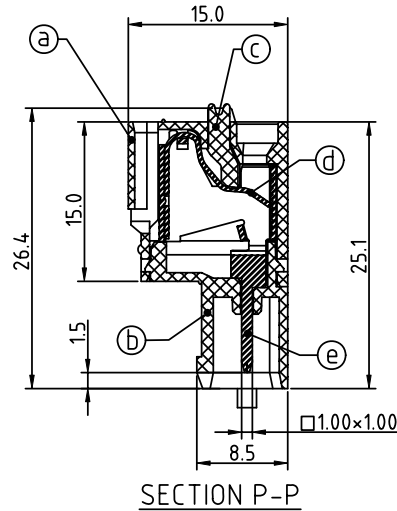
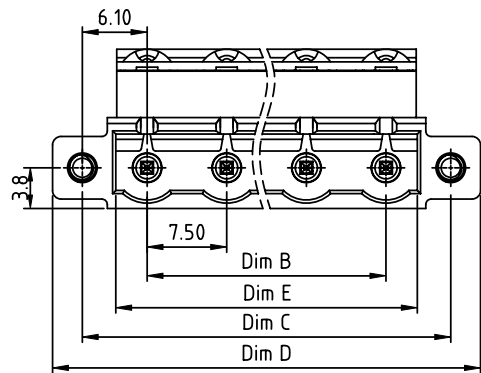
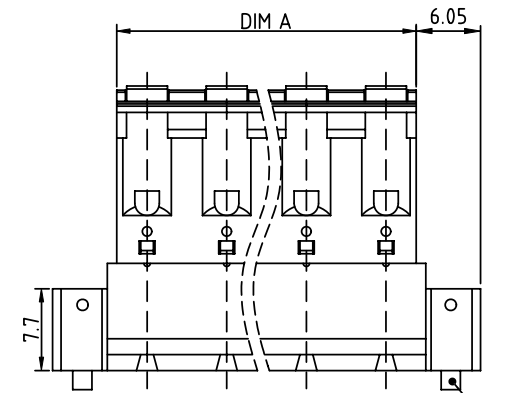
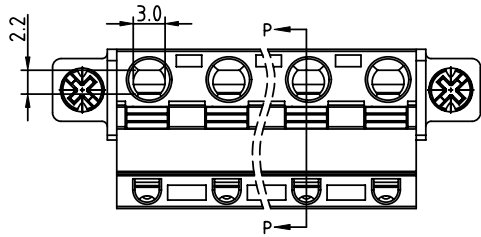
DIM A	$(N-1) \times 7.50 + 5.7$
DIM B	$(N-1) \times 7.5$
DIM C	$(N-1) \times 7.5 + 12.2$
DIM D	$N \times 7.5 + 10.3$
DIM E	$(N-1) \times 7.5 + 5.9$

N=Number of poles

POLES	Tolerance
2p-6p	$\pm 0.20$
7p-12p	$\pm 0.30$
13p-16p	$\pm 0.40$

PART NO.: H5 xx A 0 x 1 00J0 G

Solid block	0	Black (RAL9005)	RoHS compliant (lead<4%) In copper Alloy
No. of poles	2	Red (RAL3001/D)	
02 2 poles	3	Orange(RAL2011/P)	
03 3 poles	4	Yellow(RAL1018/A)	
...	5	Green(RAL6018/T)	
...	6	Blue (RAL5015/A)	
16 16 poles	8	Grey(RAL7035/D)	
	9	White(RAL1102)	
	C	Green(RAL6018/U)	



Material:

- Item@Top body:Thermoplastic ( UL94V-0 )
- Item@Bottom body:Thermoplastic ( UL94V-0 )
- Item@Terminal lever:Thermoplastic ( UL94V-0 ) Orange (RAL2001/P)
- Item@Spring clamp:Stainless Steel
- Item@Male contact pin: PhBz ( CuSn ) Tin plated
- Item@Flange screw:Steel Zinc plating M2.5 "+/-"combination type

Electrical cULus

- Voltage rating:300V
- Current rating:10A
- Solid wire(AWG):12-26
- Stranded wire(AWG):12-26
- Wire strip length:9-10mm
- Withstanding Voltage:1.6KV
- Operating temperature:-40°C to +115°C
- Safety Approval:

mat'l. code		surface ASME Y14.5	tolerance ASME Y14.5	projection	product family TERMINAL BLOCK
ltr	ecn no	dr	date	 MM  scale	title TERMINAL BLOCK SPRING CLAMP, PLUGGABLE PLUG MALE CONNECTOR, FLANGE WITH SCREW
				 sheet 1 of 1 size H5xxA0x100J0G A4	type CUSTOMER Drawing
		dr	EVIN ZHONG 051714		
		enr	EVIN ZHONG 051714		
		chr	HANKE FENG 051714		
		appd	SHI JUN 051714		
sheet index	revision sheet	A	1		