

5

4

3

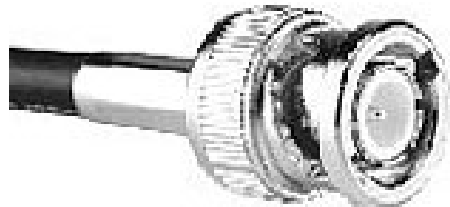
2

1

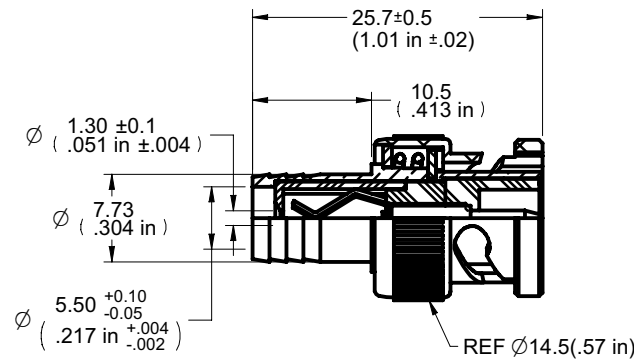
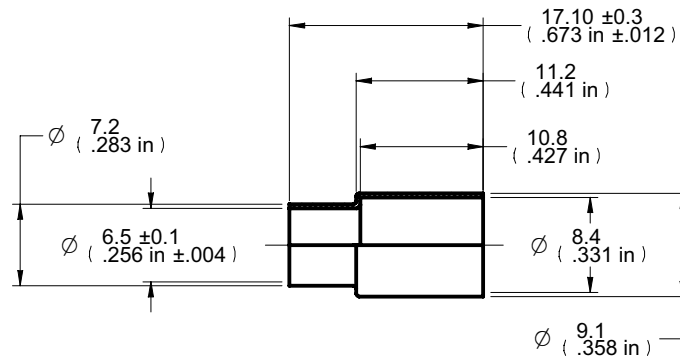
DRAWING NO.  
CP8810-CUST

REVISIONS

01	OFFICIAL RELEASE			
	02-20-09	J W	B Y	T Thomas Chow



Description: Straight BNC Crimp Plug For RG59 Plenum Style Cable  
 Part No: CP8810  
 Application: For RG59 plenum, RG62 plenum Cable  
 Crimp Tool: 24-9858P  
 Impedance: 50 Ohms  
 Frequency Range: 0-4 GHz  
 Material: Body: Brass Nickel plated  
 Contact: Brass Gold plated  
 Insulator: Teflon  
 Crimp Sleeve: Brass Nickel plated  
 Coupling Nut: Zinc Nickel plated  
 RoHS Compliance: Yes  
 Technical Detail: Refer to Emerson Document P/N 27-0000



**DIM OUTLINE**

**CUSTOMER COPY**

TOLERANCE UNLESS OTHERWISE SPECIFIED		DRAWN BY IVON.W	DATE 02-20-09
DECIMALS	mm	CHECKED BY BETTY.YU	DATE 02-20-09
X	± 0.5	APPROVED BY THOMAS	DATE 02-20-09
X.X	± 0.3	U/M	mm
X.XX	± 0.1		
ANGLES	± 0.5°		

 <b>cinch</b> CONNECTIVITY SOLUTIONS a bel group		TITLE	
		STRAIGHT BNC CRIMP PLUG FOR RG59 PLENUM STYLE CABLE	
SHEET	DRAWING NO.	SIZE	
1 OF 1	CP8810-CUST	A	

受控 CONTROLLED DOCUMENT					
编号 P/N	CP8810-CUST	版本 Rev	01	日期 Rel'd Date	Apr29,09

THIS DRAWING WAS PRODUCED BY COMPUTER, DO NOT SCALE DRAWING OR UPDATE MANUALLY.

5

4

3

2

1