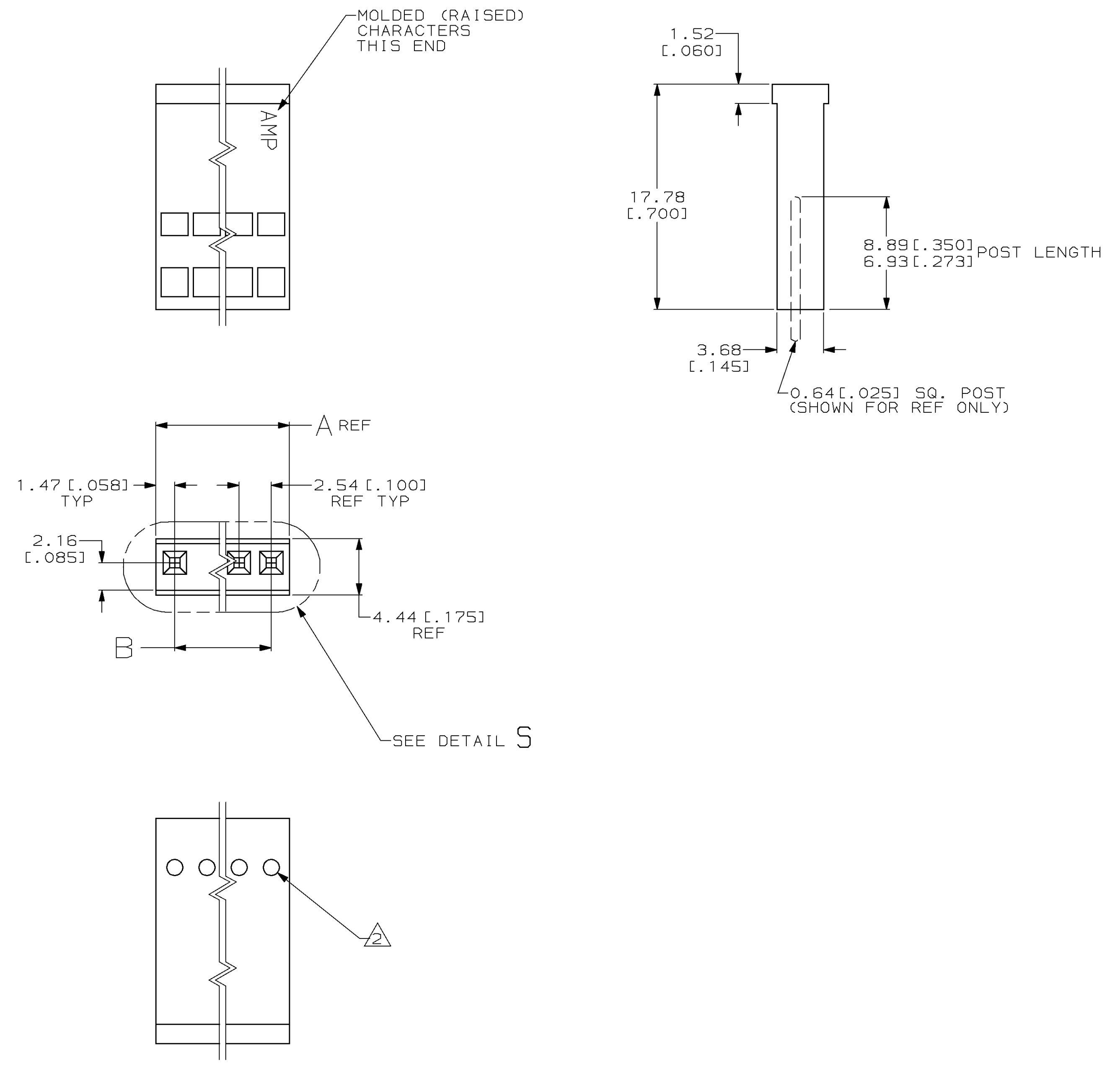


LOC		DIST		REVISIONS			
P	LYR	DESCRIPTION	DATE	DMN	APVD		
AD	39	0	RELEASED	07-AUG-96	EB SS		
		A	REV PER 0310-0380-97	24-SEP-97	EB SS		

- △ HOUSING: GLASS FILLED POLYESTER.
- △ CORE PIN SUPPORT HOLES ARE OPTIONAL AT MOLD VENDORS DISCRETION AND MAY BE ROUND OR SQUARE.



DETAIL S

10.16 [.400]	13.12 [.516]	5	104944-2
7.62 [.300]	10.57 [.416]	4	104944-1
B	A	NO OF POSN	PART NUMBER

THIS DRAWING IS A CONTROLLED DOCUMENT.

DW	E. BRANDBERG	07-AUG-96	AMP	AMP Incorporated
CHK	S. SHUEY	07-AUG-96		Harrisburg, PA 17105-3508
APP'D	S. SHUEY	07-AUG-96	NAME	HOUSING-LOCKING CLIP, .025 SQ. POST,
PRODUCT SPEC	108-36028		APPLICATION SPEC	.100 CENTERS (CLOSE END), SINGLE ROW
SIZE	A1	00779	CAGE CODE	104944
WEIGHT	-		DRAWING NO	104944
MATERIAL	△		CUSTOMER DRAWING	SCALE 4:1
			SHEET	1 OF 1
			REV	A