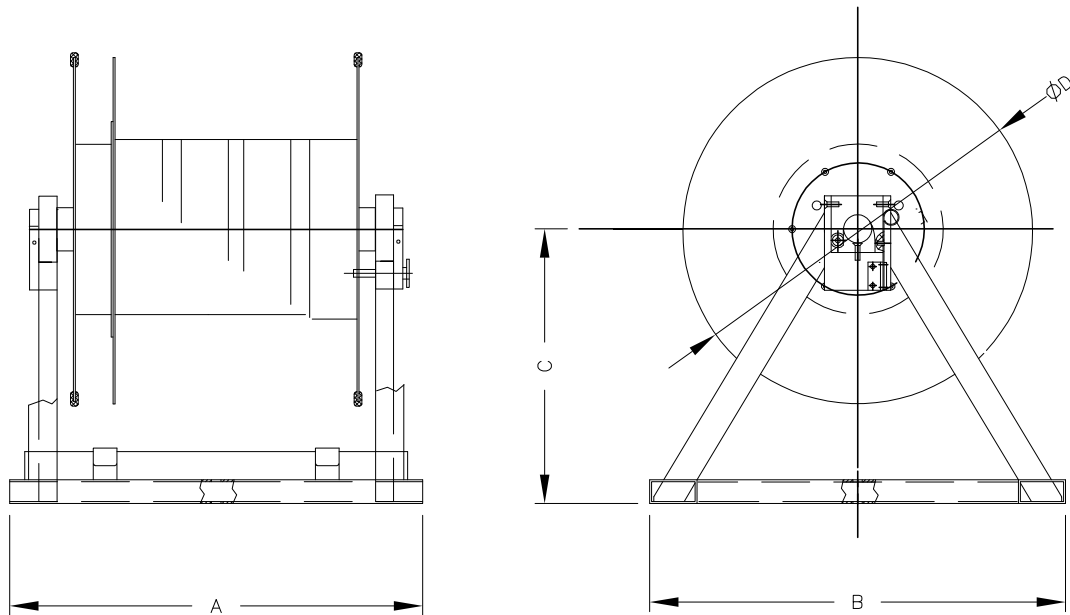


LOC	DIST	REVISIONS					
CE	16	P	LTR	DESCRIPTION	DATE	DWN	APVD
			A1	ADD NOTE 5; APPROX WT COL	04JAN10	KG	JB



TE P/N	A	B	C	MAX REEL DIA D	APPROXIMATE WEIGHT (kg)
1754517-1	437.0	440.0	290.0	500.0	3.60
1754517-2	600.0	600.0	406.5	700.0	5.60

1. DIMENSIONS ARE FOR REFERENCE ONLY.
- 2 MATERIAL: ALUMINUM 6061-76.
- 3 FINISH: POLYESTER EPOXY, COLOR RAL 6006.
4. REEL NOT INCLUDED WITH FRAME.
5. INCLUDED COMPONENTS: STATIC FRAME, FOLDING CRANK HANDLE, UTILITY POUCH AND APPROPRIATELY SIZED CARRYING HANDLE.

RELEASED FOR PUBLICATION

ALL RIGHTS RESERVED.

COPYRIGHT BY TYCO ELECTRONICS CORPORATION.

THIS DRAWING IS UNPUBLISHED.

DIMENSIONS: mm	DWN K. GLATFELTER 23MAR2005	MATERIAL	2 -	FINISH	3 -	
	CHK J. SHIPE 10MAY2005	Tyco Electronics Corporation Harrisburg, Pa 17105-3608				
TOLERANCES UNLESS OTHERWISE SPECIFIED:	APVD D. BAECHTLE 10MAY2005	PRODUCT SPEC	NAME STATIC FRAME CABLE REEL			
	APPLICATION SPEC	SIZE A4				
0 PLC ± - 1 PLC ± - 2 PLC ± - 3 PLC ± - 4 PLC ± - ANGLES ± -	WEIGHT	CAGE CODE	DRAWING NO	RESTRICTED TO		
	-	A4 00779	C-1754517	-		
CUSTOMER DRAWING			SCALE	SHEET	REV	
			NTS	1 OF 1	A1	