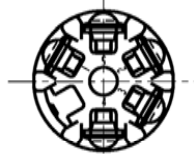
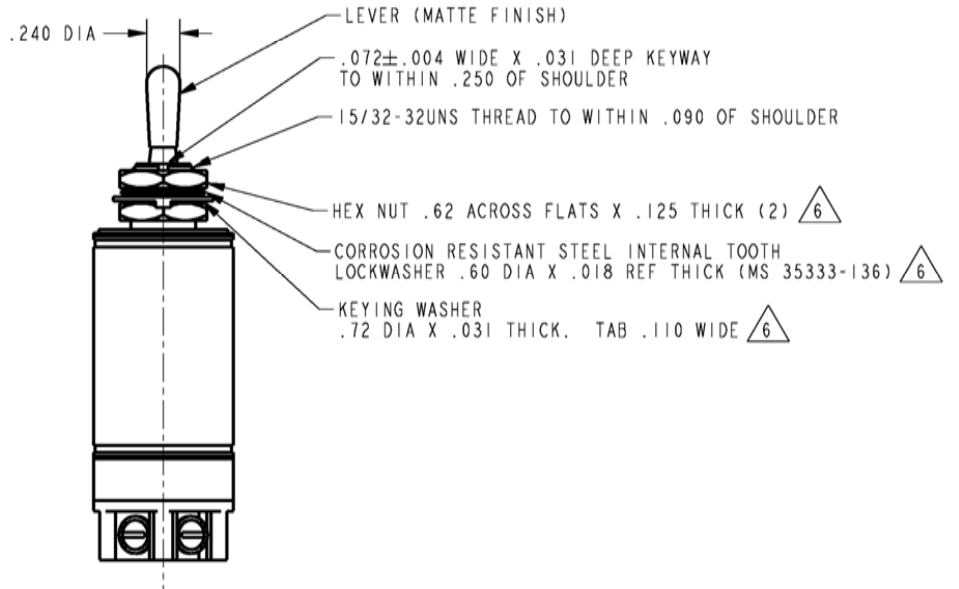
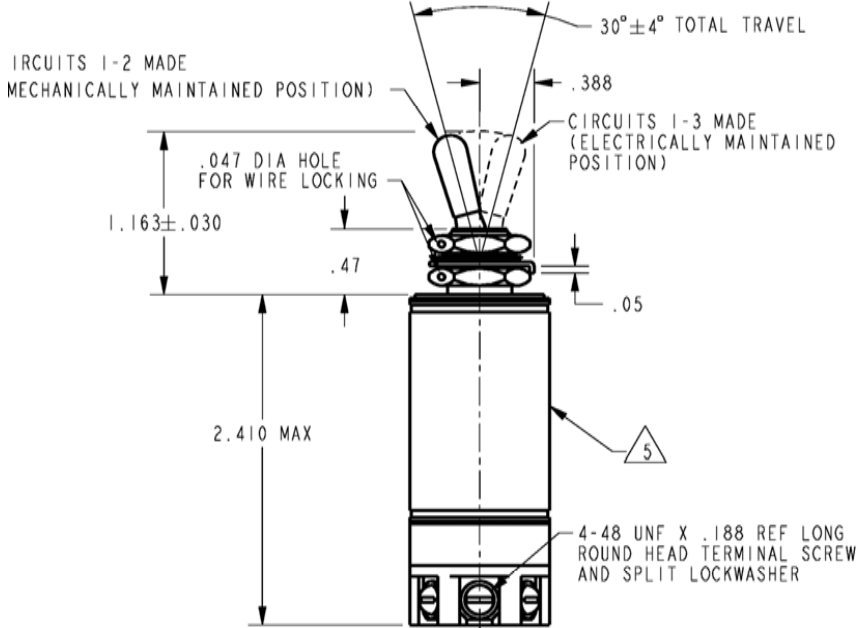
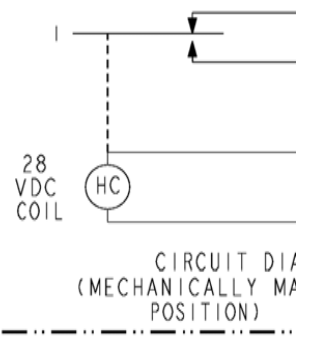


**ROSWITCH**  
Crywell Division  
FIG. CODE 91929

**SWITCH - TOGGLE  
(MAGNETIC HOLD-IN)**

CATALOG LISTING  
**25ET61-S**

MILITARY STDS. PART NO.  
M5594/1-3



- NOTES
- 1 - EXPOSED PARTS ARE OF CORROSION RESISTANT MATERIAL OR ARE SUITABLY PROTECTED TO PREVENT CORROSION, ENCLOSURE FINISHED WITH BLUE EPOXY BASED ENAMEL COLOR NO. 25184 PER FEDERAL STANDARD 595
  - 2 - SWITCH SEALED PER MIL-S-5594
  - 3 - HOLD IN VOLTAGE: THE MINIMUM SPECIFIED VOLTAGE AT WHICH THE LEVER WILL REMAIN ACTUATED. HOLD IN MAY OCCUR AT A LOWER VALUE. DROP OUT VOLTAGE: THE VOLTAGE RANGE IN WHICH THE LEVER WILL BE RELEASED
  - 4 - CIRCUITS CAN BE TRANSFERRED MANUALLY. ENERGIZING THE COIL WILL NOT CAUSE TRANSFER OF CIRCUITS
  - 5 - CIRCUIT IDENTIFICATION IS SHOWN ON SWITCH
  - 6 - HARDWARE MAY BE FURNISHED UNASSEMBLED PER MIL-S-5594

DRAWING COVERS A PROPRIETARY ITEM AND IS THE PROPERTY OF MICRO SWITCH, A DIVISION OF CRYWELL. THIS DRAWING IS NOT TO BE COPIED OR USED WITHOUT THE APPROVAL OF MICRO SWITCH		THIRD ANGLE PROJECTION	
CHARACTERISTICS 3		SCALE FULL	
OPERATING RATING AT 20°C		DO NOT SCALE PRINT	
OPERATING VOLTAGE LIMITS-----20-29 VDC		UNLESS OTHERWISE SPECIFIED TOLERANCES ARE	
-----10 VDC		ONE PLACE (.0) ±.030	
-----0-10 VDC		TWO PLACE (.00) ±.015	
CONTACT RESISTANCE-----220 OHM MIN		THREE PLACE (.000) ±.005	
ACTUATING FORCE-----7 LBS MAX		ANGLES ±	
RELEASE FORCE AT 29 VDC-----10 LBS MAX		WEIGHT 4.0 OZ MAX	
ELECTRICAL DATA		ANSI Y14.5M-1982 APPLIES	
CONTACT ARRANGEMENT S P D T			
RATINGS IN AMPERES			
VOLTAGE	SEA LEVEL	65,000 FT	
	INRUSH RES INDI MOTOR	INRUSH RES INDI MOTOR	
28 VOLTS DC	4 3 4	4 2.3 4	