

THIS DRAWING IS UNPUBLISHED. RELEASED FOR PUBLICATION DEC ,2005.

© COPYRIGHT 2005 BY TYCO ELECTRONICS CORPORATION. ALL RIGHTS RESERVED.

LOC	DIST	REVISIONS					
E	B	P	LTR	DESCRIPTION	DATE	DWN	APVD
		C		ECR-05-017969	13DEC05	JMS	FWK

NOTES:

- ① PACK IN ACCORDANCE WITH AMP SPEC 107-3275
- ② 100 TRAY PACK IN ACCORDANCE WITH AMP SPEC 107-3275
- ③ Ag PLATING

4 ELECTRICAL CHARACTERISTICS

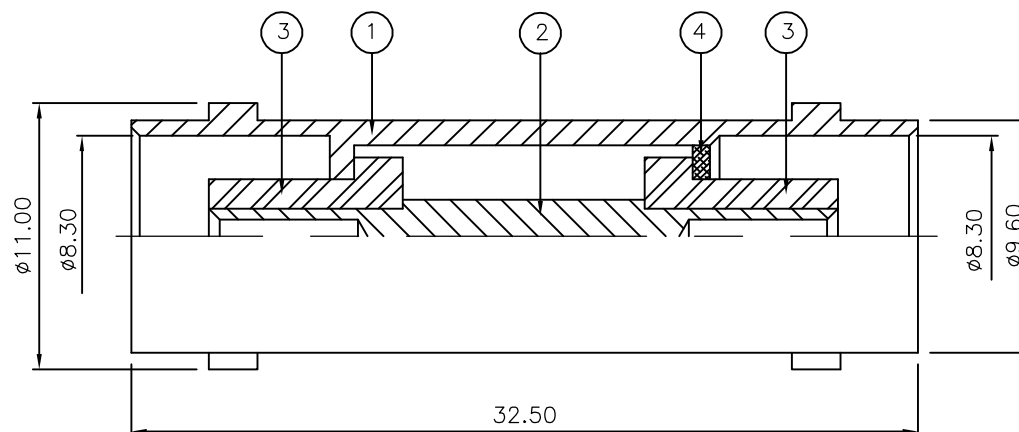
FREQUENCY RANGE: DC - 4 GHz
 NOMINAL IMPEDANCE: 50 Ohm
 INSULATION RESISTANCE: 5000 MOhm
 WORKING VOLTAGE: 500 Volts RMS at Sea Level
 DIELECTRIC WITHSTAND VOLTAGE: 1500 Volts RMS Max
 CONTACT RESISTANCE:
 CENTRE CONTACT: 1.50 mOhm Max
 OUTER CONTACT: 0.20 mOhm Max
 VSWR @ xGHz: N/A
 INSERTION LOSS xdb: N/A

5 MECHANICAL CHARACTERISTICS

COUPLING RETENTION FORCE: N/A
 CABLE RETENTION FORCE: N/A
 DURABILITY: 500 Cycles Min

6 ENVIRONMENTAL CHARACTERISTICS

OPERATING TEMPERATURE: -65 to +165 DegC



	1	1	BRASS	③	SLEEVE	4
	2	2	PTFE		INSULATION	3
	1	1	BRASS	③	CONTACT	2
	1	1	BRASS	③	BODY	1
	6--0	1--0	MATERIAL		DESCRIPTION	ITEM
	③	③				
QUANTITY PER ASSY			PARTS LIST			

THIS DRAWING IS A CONTROLLED DOCUMENT.		DWN	J.SANDWELL	13DEC05	Tyco Electronics Corporation Bideford EX39 4HE	
DIMENSIONS: mm		CHK	S.PARLOW	13DEC05		
TOLERANCES UNLESS OTHERWISE SPECIFIED:		APVD	F.WHEELER-KING	13DEC05	NAME	
0 PLC ± -		PRODUCT SPEC			BNC STRAIGHT ADAPTOR J-J 50 OHM	
1 PLC ± -		APPLICATION SPEC			-	
2 PLC ± -		WEIGHT			-	
3 PLC ± -		SIZE			A3	
4 PLC ± -		CAGE CODE			00779	
ANGLES ± -		DRAWING NO			C-1337457	
FINISH -		RESTRICTED TO			-	
MATERIAL SEE TABLE		CUSTOMER DRAWING			SCALE NTS	
		SHEET 1 OF 1			REV C	