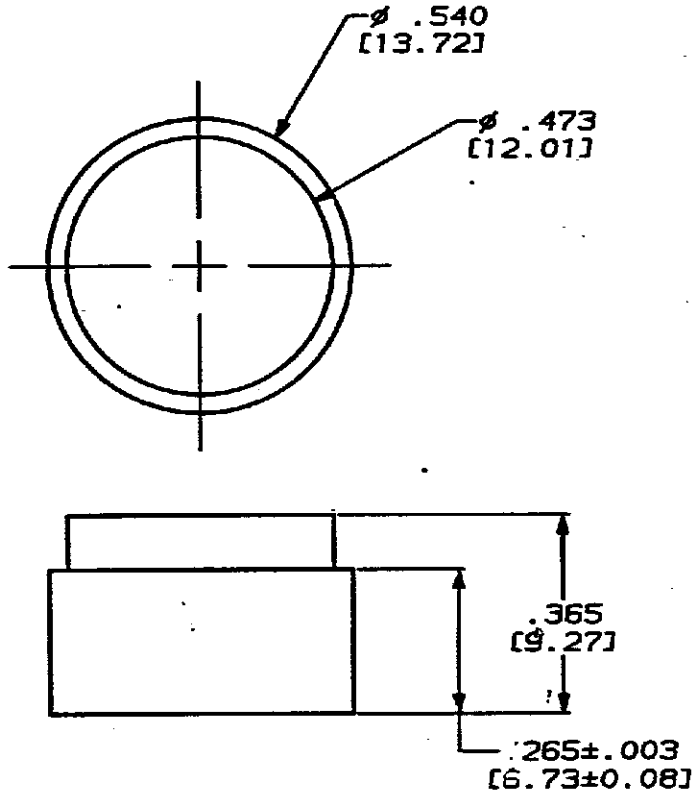


DRAWING MADE IN THIRD ANGLE PROJECTION

PROD 4971 CODE	LOC DF	DIST AO	REVISIONS				DATE	APPROVED
			P	F	LTR	DESCRIPTION		
			✓		0	RELEASED PER NPR 91-0288	T.S.	-

THIS DRAWING IS UNPUBLISHED. RELEASED FOR PUBLICATION BY AMP INCORPORATED. ALL INTERNATIONAL RIGHTS RESERVED. © COPYRIGHT 19



448143-1

PART NO

DO NOT SCALE PRINT.
UNLESS SPECIFIED
DIMENSIONS IN INCHES (mm)
TOLERANCES ON:
DIM. P.L.C. DEC *
P.L.C. DEC * .005 (0.125)
ANGLES *

OR 9-18-61
T. SNEY
CHK 9-18-61
J. WRIGHT
APPD 9-18-61
S. WRIGHT



AMP Incorporated
Harrisburg, PA 17105-3608

MATERIAL
TEFLON PER
MIL-P-19468A

APPD -
PRODUCT SPEC -

NAME
PLUG, SEALING,
SIZE ONE, ARINC 600

FINISH

APPLICATION SPEC -

SIZE
A

CASE CODE
00779

DRAWING NO
448143

WEIGHT -

WEIGHT -

SCALE
4:1

SHEET
1 of 1

AMP 1489-32 REV 11-65

10 3P 100 16-G-6 AMP INC 448143-1 (REV. 11-65)

CUSTOMER DRAWING